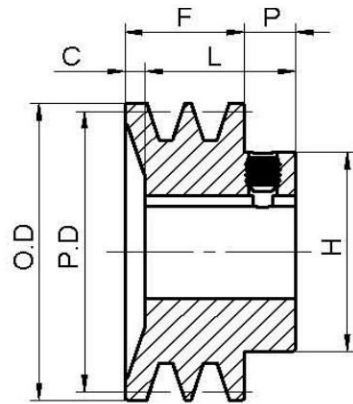


TYPE F



Standard Keyseats

Table No.1

Bore Range	Keyseat
5/8" to 7/8"	3/16" x 3/32"
1" to 1 1/8"	5/8 x 5/16

Powermach finished bore "358" gripbelt sheaves are machined from top quality fine-grain gray iron castings. They are accurately machined and balanced. They are furnished with standard keyseats and hollow head setscrews.

Table No.2

Specifications—Stock "3V" Sheaves

PART NO.	Type	DIAMETERS			DIMENSIONS											Wt. Lbs
		Pitch "3V" Belts	Outside	inside	F	H	L	P	C	5/8"	3/4"	7/8"	1"	1 1/8"	1 3/8"	
1 Groove																
1 F3V26	F	2.60"	2.65"	—	11/16"	1 9/16"	15/16"	27/64"	11/64"	004694	082433	—	—	—	—	.7
1 F3V28	F	2.75	2.80	—	11/16	1 9/16	15/16	27/64	11/64	004695	082434	—	—	—	—	.8
1 F3V30	F	2.95	3.00	—	11/16	1 9/16	15/16	27/64	11/64	—	049090	082435	—	—	—	.8
1 F3V31	F	3.10	3.15	—	11/16	1 9/16	15/16	27/64	11/64	—	—	004697	—	—	—	.8
1 F3V33	F	3.30	3.35	—	11/16	1 9/16	15/16	27/64	11/64	—	—	004698	—	—	—	1.0
2 Grooves																
2 F3V26	F	2.60"	2.65"	—	1 3/32"	1 7/8"	1 3/8"	15/32"	3/16"	—	010149	082436	082437	—	—	1.3
2 F3V28	F	2.75	2.80	—	1 3/32	1 7/8	1 3/8	15/32	3/16	—	010151	082438	082439	—	—	1.4
2 F3V30	F	2.95	3.00	—	1 3/32	1 7/8	1 3/8	15/32	3/16	—	—	010153	082440	—	—	1.4
2 F3V31	F	3.10	3.15	—	1 3/32	1 7/8	1 3/8	15/32	3/16	—	—	010154	082441	082442	—	1.6
2 F3V33	F	3.30	3.35	—	1 3/32	1 7/8	1 3/8	15/32	3/16	—	—	010155	082443	082444	—	1.9
3 Grooves																
3 F3V26	F	2.60"	2.65"	—	1 1/2"	1 7/8"	1 23/32"	15/32"	1/4"	—	—	013632	082445	082446	—	1.5
3 F3V28	F	2.75	2.80	—	1 1/2	1 7/8	1 23/32	15/32	1/4	—	—	013634	082447	082448	—	1.7
3 F3V30	F	2.95	3.00	—	1 1/2	1 7/8	1 23/32	15/32	1/4	—	—	—	049452	082449	—	1.9
3 F3V31	F	3.10	3.15	—	1 1/2	1 7/8	1 23/32	15/32	1/4	—	—	—	049453	082450	—	2.1
3 F3V33	F	3.30	3.35	—	1 1/2	1 7/8	1 23/32	15/32	1/4	—	—	—	013636	082451	—	2.5
4 Grooves																
4 F3V26	F	2.60"	2.65"	—	1 29/32"	2 3/16"	2 1/8"	15/32"	1/4"	—	—	016123	082452	082453	—	1.9
4 F3V28	F	2.75	2.80	—	1 29/32	2 3/16	2 1/8	15/32	1/4	—	—	016124	082454	082455	—	2.4
4 F3V30	F	2.95	3.00	—	1 29/32	2 3/16	2 1/8	15/32	1/4	—	—	—	016125	082456	082457	2.5
4 F3V31	F	3.10	3.15	—	1 29/32	2 3/16	2 1/8	15/32	1/4	—	—	—	016126	082458	082459	2.8
4 F3V33	F	3.30	3.35	—	1 29/32	2 3/16	2 1/8	15/32	1/4	—	—	—	016127	082460	082461	3.4

3V series

Bore Range
Table No.1

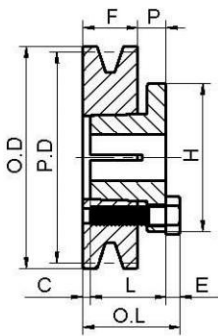
Bushing No.	Bore Range
G	3/8" – 1"
H	3/8 – 1 1/2
P1	1/2 – 1 3/4
Q1	3/4 – 2 11/16
R1	1 1/8 – 3 3/4
S1	1 11/16 – 4 1/4

Standard Keyseats
Table No.2

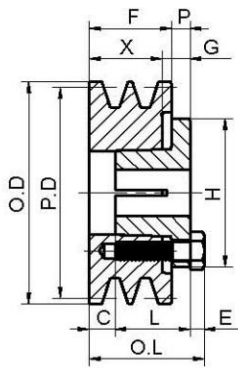
Bore Range	Keyseat	Bore Range	Keyseat
3/8" – 7/16"	None	1 13/16 – 2 1/4	1/2 x 1/4
1/2 – 9/16	1/8 x 1/16	2 5/16 – 2 3/4	5/8 x 5/16
5/8 – 7/8	3/16 x 3/32	2 13/16 – 3 1/4	3/4 x 3/8
15/16 – 1 1/4	1/4 x 1/8	3 3/8 – 3 3/4	7/8 x 7/16
1 5/16 – 1 3/8	5/16 x 5/32	3 7/8 – 4 1/2	1 x 1/2
1 7/16 – 1 3/4	3/8 x 3/16		

1 3/8 Bore Bushings(except R2) also available with 3/8"x3/16" Keyseat.

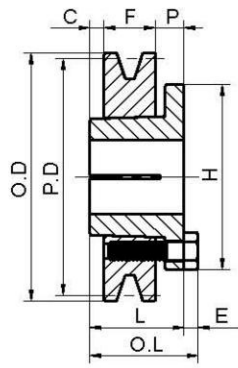
TYPE G-1



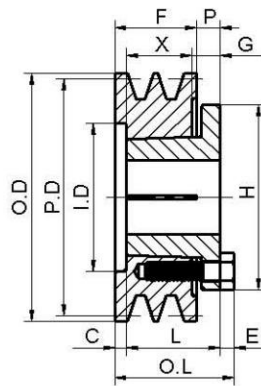
TYPE G-2



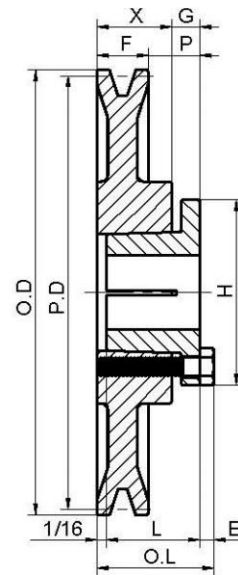
TYPE H-1



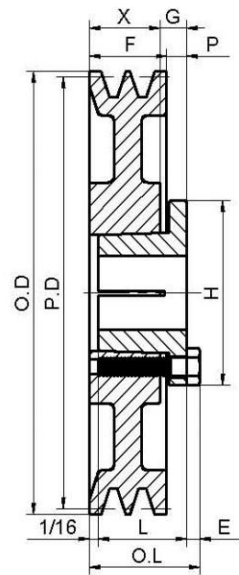
TYPE H-2



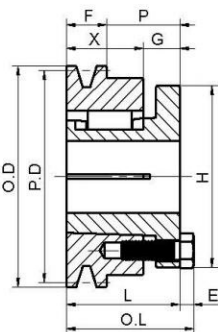
TYPE H-3



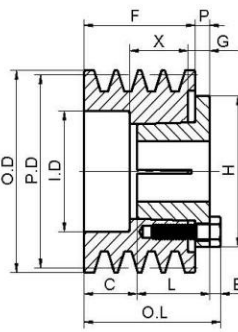
TYPE H-4



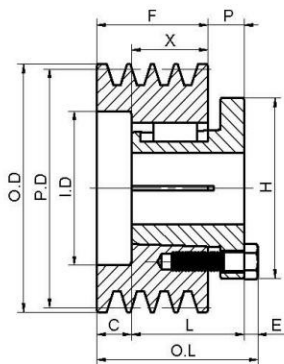
TYPE 2



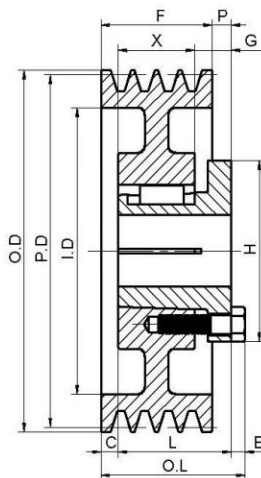
TYPE 4



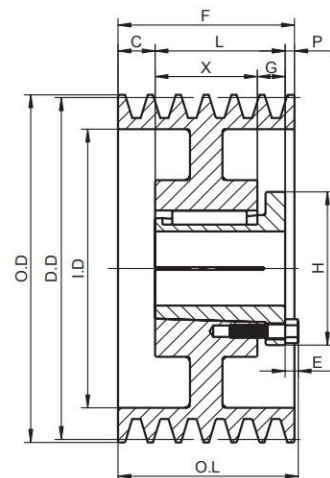
TYPE 5



TYPE 13



TYPE 15



TYPE 16

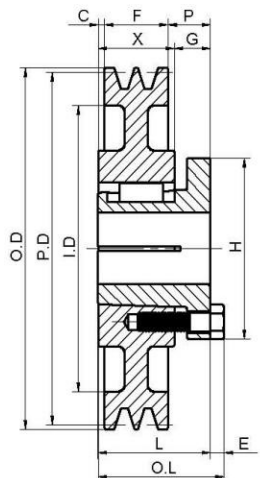




Table No.3

Specifications—Stock "3V" Sheaves

Part No.	Bushing	Type	DIAMETERS			Dimensions								Wt. Less Bush.
			Pitch "3V" Belts	Outside	Inside	O.L.	L	P	C	H	G	X	E	
1 GROOVE, F = 11/16"														
1G3V26	G	G-1	2.60"	2.65"	—	1 5/16"	1"	7/16"	1/8"	2"	—	—	3/16"	.6
1G3V28	G	G-1	2.75	2.80	—	1 5/16	1	7/16	1/8	2	—	—	3/16	.7
1G3V30	G	G-1	2.95	3.00	—	1 5/16	1	7/16	1/8	2	—	—	3/16	.9
1H3V31	H	H-1	3.10	3.15	—	1 7/16	1 1/4	7/16	1/8	2 1/2	—	—	3/16	.8
1H3V33	H	H-1	3.30	3.35	—	1 7/16	1 1/4	7/16	1/8	2 1/2	—	—	3/16	.9
1H3V36	H	H-3	3.60	3.65	—	1 1/2	1 1/4	5/8	—	2 1/2	7/16"	7/8"	3/16	1.4
1P3V36	P1	2	3.60	3.65	—	2 3/16	1 15/16	1 1/4	—	3	5/8	1 5/16	1/4	2.0
1H3V41	H	H-3	4.07	4.12	—	1 1/2	1 1/4	5/8	—	2 1/2	7/16	7/8	3/16	1.9
1P3V41	P1	2	4.07	4.12	—	2 3/16	1 15/16	1 1/4	—	3	5/8	1 5/16	1/4	2.6
1H3V45	H	H-3	4.45	4.50	—	1 1/2	1 1/4	5/8	—	2 1/2	7/16	7/8	3/16	2.2
1P3V45	P1	2	4.45	4.50	—	2 3/16	1 15/16	1 1/4	—	3	5/8	1 5/16	1/4	3.0
1H3V47	H	H-3	4.70	4.75	—	1 1/2	1 1/4	5/8	—	2 1/2	7/16	7/8	3/16	2.4
1P3V47	P1	2	4.70	4.75	—	2 3/16	1 15/16	1 1/4	—	3	5/8	1 5/16	1/4	3.5
1H3V50	H	H-3	4.95	5.00	—	1 1/2	1 1/4	5/8	—	2 1/2	7/16	7/8	3/16	2.6
1P3V50	P1	2	4.95	5.00	—	2 3/16	1 15/16	1 1/4	—	3	5/8	1 5/16	1/4	3.8
1H3V53	H	H-3	5.25	5.30	—	1 1/2	1 1/4	5/8	—	2 1/2	7/16	7/8	3/16	2.5
1P3V53	P1	2	5.25	5.30	—	2 3/16	1 15/16	1 1/4	—	3	5/8	1 5/16	1/4	4.2
1H3V56	H	H-3	5.55	5.60	—	1 1/2	1 1/4	5/8	—	2 1/2	7/16	7/8	3/16	2.6
1P3V56	P1	2	5.55	5.60	—	2 3/16	1 15/16	1 1/4	—	3	5/8	1 5/16	1/4	4.6
1H3V60	H	H-3	5.95	6.00	—	1 1/2	1 1/4	5/8	—	2 1/2	7/16	7/8	3/16	2.9
1P3V60	P1	2	5.95	6.00	—	2 3/16	1 15/16	1 1/4	—	3	5/8	1 5/16	1/4	5.3
1P3V65	P1	16-Arm	6.45	6.50	5 1/4	2 3/16	1 15/16	15/16	5/16	3	5/8	1 5/16	1/4	5.5
1P3V69	P1	16-Arm	6.85	6.90	5 5/8	2 3/16	1 15/16	15/16	5/16	3	5/8	1 5/16	1/4	4.9
1P3V80	P1	16-Arm	7.95	8.00	6 1/2	2 3/16	1 15/16	15/16	5/16	3	5/8	1 5/16	1/4	6.5
1P3V106	P1	16-Arm	10.55	10.60	9 3/8	2 3/16	1 15/16	15/16	5/16	3	5/8	1 5/16	1/4	7.8
1Q3V140	Q1	16-Arm	13.95	14.00	12 3/4	2 25/32	2 1/2	1 9/32	17/32	4 1/8	3/4	1 3/4	9/32	18.1
1Q3V190	Q1	16-Arm	18.95	19.00	17 3/4	2 25/32	2 1/2	1 9/32	17/32	4 1/8	3/4	1 3/4	9/32	26.3
1Q3V250	Q1	16-Arm	24.95	25.00	23 5/8	2 25/32	2 1/2	1 9/32	17/32	4 1/8	3/4	1 3/4	9/32	38.3
2 GROOVES, F = 1 3/32"														
2G3V26	G	G-2	2.60"	2.65"	—	1 19/32"	1"	5/16"	13/32"	2"	7/16"	31/32"	3/16"	.8
2G3V28	G	G-2	2.75	2.80	—	1 19/32	1	5/16	13/32	2	7/16	31/32	3/16	.9
2G3V30	G	G-2	2.95	3.00	—	1 19/32	1	5/16	13/32	2	7/16	31/32	3/16	1.3
2H3V31	H	H-2	3.10	3.15	2	1 19/32	1 1/4	3/8	7/32	2 1/2	7/16	13/16	3/16	.9
2H3V33	H	H-2	3.30	3.35	2	1 19/32	1 1/4	3/8	7/32	2 1/2	7/16	13/16	3/16	1.3
2H3V36	H	H-4	3.60	3.65	—	1 1/2	1 1/4	7/32	—	2 1/2	7/16	7/8	3/16	1.6
2P3V36	P1	2	3.60	3.65	—	2 3/16	1 15/16	27/32	—	3	5/8	1 5/16	1/4	2.0
2H3V41	H	H-4	4.07	4.12	—	1 1/2	1 1/4	7/32	—	2 1/2	7/16	7/8	3/16	2.3
2P3V41	P1	2	4.07	4.12	—	2 3/16	1 15/16	27/32	—	3	5/8	1 5/16	1/4	2.8
2H3V45	H	H-4	4.45	4.50	—	1 1/2	1 1/4	7/32	—	2 1/2	7/16	7/8	3/16	2.8
2P3V45	P1	2	4.45	4.50	—	2 3/16	1 15/16	27/32	—	3	5/8	1 5/16	1/4	3.5
2H3V47	H	H-4	4.70	4.75	—	1 1/2	1 1/4	7/32	—	2 1/2	7/16	7/8	3/16	3.1
2P3V47	P1	2	4.70	4.75	—	2 3/16	1 15/16	27/32	—	3	5/8	1 5/16	1/4	4.0
2H3V50	H	H-4	4.95	5.00	—	1 1/2	1 1/4	7/32	—	2 1/2	7/16	7/8	3/16	3.4
2P3V50	P1	2	4.95	5.00	—	2 3/16	1 15/16	27/32	—	3	5/8	1 5/16	1/4	4.6
2H3V53	H	H-4	5.25	5.30	—	1 1/2	1 1/4	7/32	—	2 1/2	7/16	7/8	3/16	3.7
2P3V53	P1	2	5.25	5.30	—	2 3/16	1 15/16	27/32	—	3	5/8	1 5/16	1/4	5.6
2H3V56	H	H-4	5.55	5.60	—	1 1/2	1 1/4	7/32	—	2 1/2	7/16	7/8	3/16	3.1
2P3V56	P1	2	5.55	5.60	—	2 3/16	1 15/16	27/32	—	3	5/8	1 5/16	1/4	6.0
2H3V60	H	H-4	5.95	6.00	—	1 1/2	1 1/4	7/32	—	2 1/2	7/16	7/8	3/16	3.6
2P3V60	P1	2	5.95	6.00	—	2 3/16	1 15/16	27/32	—	3	5/8	1 5/16	1/4	6.8
2Q3V65	Q1	16-Arm	6.45	6.50	5 1/4"	2 25/32	2 1/2	1 5/64	21/64	4 1/8	3/4	1 3/4	9/32	8.3
2Q3V69	Q1	16-Arm	6.85	6.90	5 5/8	2 25/32	2 1/2	1 5/64	21/64	4 1/8	3/4	1 3/4	9/32	9.8
2Q3V80	Q1	16-Arm	7.95	8.00	6 1/2	2 25/32	2 1/2	1 5/64	21/64	4 1/8	3/4	1 3/4	9/32	10.80
2Q3V106	Q1	16-Arm	10.55	10.60	9 3/8	2 25/32	2 1/2	1 5/64	21/64	4 1/8	3/4	1 3/4	9/32	13.5
2Q3V140	Q1	16-Arm	13.95	14.00	12 3/4	2 25/32	2 1/2	1 5/64	21/64	4 1/8	3/4	1 3/4	9/32	22.5
2Q3V190	Q1	16-Arm	18.95	19.00	17 3/4	2 25/32	2 1/2	1 5/64	21/64	4 1/8	3/4	1 3/4	9/32	28.9
2Q3V250	Q1	16-Arm	24.95	25.00	23 5/8	2 25/32	2 1/2	1 5/64	21/64	4 1/8	3/4	1 3/4	9/32	43.5

3V series

Table No.4 Specifications—Stock "3V" Sheaves

Part No.	Bushing	Type	DIAMETERS			Dimensions								Wt. Less Bush.
			Pitch "3V" Belts	Outside	Inside	O.L.	L	P	C	H	G	X	E	
3 GROOVES, F = 1 1/2"														
3G3V26	G	G-2	2.60"	2.65"	—	2"	1"	5/16"	13/16"	2"	7/16"	1 3/8"	3/16"	1.1
3G3V28	G	G-2	2.75	2.80	—	2	1	5/16	13/16	2	7/16	1 3/8	3/16	1.6
3G3V30	G	G-2	2.95	3.00	—	2	1	5/16	13/16	2	7/16	1 3/8	3/16	1.8
3H3V31	H	H-2	3.10	3.15	—	2	1 1/4	5/16	9/16	2 1/2	7/16	1 3/8	3/16	1.4
3H3V33	H	H-2	3.30	3.35	—	2	1 1/4	5/16	9/16	2 1/2	7/16	1 3/8	3/16	1.8
3P3V36	P1	5	3.60	3.65	2 3/16"	2 3/8	1 15/16	5/8	3/16	3	—	1 5/16	1/4	2.5
3P3V41	P1	5	4.07	4.12	2 9/16	2 3/8	1 15/16	5/8	3/16	3	—	1 5/16	1/4	3.0
3P3V45	P1	13-Sol.	4.45	4.50	3 5/16	2 3/16	1 15/16	7/16	0	3	5/8	1 5/16	1/4	3.9
3P3V47	P1	13-Sol.	4.70	4.75	3 1/2	2 3/16	1 15/16	7/16	0	3	5/8	1 5/16	1/4	4.4
3P3V50	P1	13-Sol.	4.95	5.00	3 13/16	2 3/16	1 15/16	7/16	0	3	5/8	1 5/16	1/4	4.9
3P3V53	P1	13-Sol.	5.25	5.30	4 1/8	2 3/16	1 15/16	7/16	0	3	5/8	1 5/16	1/4	5.9
3P3V56	P1	13-Sol.	5.55	5.60	4 3/8	2 3/16	1 15/16	7/16	0	3	5/8	1 5/16	1/4	7.5
3P3V60	P1	13-Sol.	5.95	6.00	4 13/16	2 3/16	1 15/16	7/16	0	3	5/8	1 5/16	1/4	8.0
3Q3V65	Q1	16-Sol.	6.45	6.50	5 1/4	2 25/32	2 1/2	7/8	1/8	4 1/8	3/4	1 3/4	9/32	9.9
3Q3V69	Q1	16-Sol.	6.85	6.90	5 5/8	2 25/32	2 1/2	7/8	1/8	4 1/8	3/4	1 3/4	9/32	11.3
3Q3V80	Q1	16-Web	7.95	8.00	6 1/2	2 25/32	2 1/2	7/8	1/8	4 1/8	3/4	1 3/4	9/32	11.9
3Q3V106	Q1	16-Arm	10.55	10.60	9 3/8	2 25/32	2 1/2	7/8	1/8	4 1/8	3/4	1 3/4	9/32	15.1
3Q3V140	Q1	16-Arm	13.95	14.00	12 3/4	2 25/32	2 1/2	7/8	1/8	4 1/8	3/4	1 3/4	9/32	24.5
3R3V190	R1	16-Arm	18.95	19.00	17 3/4	3 5/32	2 7/8	1 1/8	1/4	5 3/8	7/8	2	9/32	35.1
3R3V250	R1	16-Arm	24.95	25.00	23 5/8	3 5/32	2 7/8	1 1/8	1/4	5 3/8	7/8	2	9/32	55.0
3R3V335	R1	16-Arm	33.45	33.50	32 1/4	3 5/32	2 7/8	1 1/8	1/4	5 3/8	7/8	2	9/32	80.0
4 GROOVES, F = 1 29/32"														
4G3V26	G	4	2.60"	2.65"	1 3/8"	2 13/32"	1"	5/16"	1 7/32"	2"	7/16"	1 1/2"	3/16"	1.4
4G3V28	G	4	2.75	2.80	1 3/8	2 13/32	1	5/16	1 7/32	2	7/16	1 1/2	3/16	1.8
4G3V30	G	4	2.95	3.00	1 3/8	2 13/32	1	5/16	1 7/32	2	7/16	1 1/2	3/16	2.1
4H3V31	H	4	3.10	3.15	1 3/4	2 13/32	1 1/4	5/16	31/32	2 1/2	7/16	31/32	3/16	1.8
4H3V33	H	4	3.30	3.35	2	2 13/32	1 1/4	5/16	31/32	2 1/2	7/16	31/32	3/16	2.3
4P3V36	P1	5	3.60	3.65	2 3/16	2 25/32	1 15/16	5/8	19/32	3	—	1 5/16	1/4	2.8
4P3V41	P1	5	4.07	4.12	2 9/16	2 25/32	1 15/16	5/8	19/32	3	—	1 5/16	1/4	3.7
4P3V45	P1	13-Sol.	4.45	4.50	3 5/16	2 3/16	1 15/16	1/32	0	3	5/8	1 5/16	1/4	4.4
4P3V47	P1	13-Sol.	4.70	4.75	3 1/2	2 3/16	1 15/16	1/32	0	3	5/8	1 5/16	1/4	5.1
4P3V50	P1	13-Sol.	4.95	5.00	3 13/16	2 3/16	1 15/16	1/32	0	3	5/8	1 5/16	1/4	5.8
4P3V53	P1	13-Sol.	5.25	5.30	4 1/8	2 3/16	1 15/16	1/32	0	3	5/8	1 5/16	1/4	6.5
4P3V56	P1	13-Sol.	5.55	5.60	4 3/8	2 3/16	1 15/16	1/32	0	3	5/8	1 5/16	1/4	8.1
4Q3V60	Q1	13-Sol.	5.95	6.00	4 3/4	2 25/32	1 15/16	19/32	0	4 1/8	3/4	1 3/4	9/32	9.0
4Q3V65	Q1	13-Web	6.45	6.50	5 1/4	2 55/64	2 1/2	43/64	5/64	4 1/8	3/4	1 3/4	9/32	11.1
4Q3V69	Q1	13-Web	6.85	6.90	5 5/8	2 55/64	2 1/2	43/64	5/64	4 1/8	3/4	1 3/4	9/32	12.9
4Q3V80	Q1	13-Web	7.95	8.00	6 1/2	2 55/64	2 1/2	43/64	5/64	4 1/8	3/4	1 3/4	9/32	13.1
4Q3V106	Q1	13-Arm	10.55	10.60	9 3/8	2 55/64	2 1/2	43/64	5/64	4 1/8	3/4	1 3/4	9/32	15.9
4Q3V140	Q1	13-Arm	13.95	14.00	12 3/4	2 55/64	2 1/2	43/64	5/64	4 1/8	3/4	1 3/4	9/32	25.4
4R3V190	R1	16-Arm	18.95	19.00	17 3/4	3 5/32	2 7/8	63/64	3/64	5 3/8	7/8	2	9/32	37.3
4R3V250	R1	16-Arm	24.95	25.00	23 5/8	3 5/32	2 7/8	63/64	3/64	5 3/8	7/8	2	9/32	60.0
4R3V335	R1	16-Arm	33.45	33.50	32 1/4	3 5/32	2 7/8	63/64	3/64	5 3/8	7/8	2	9/32	88.0

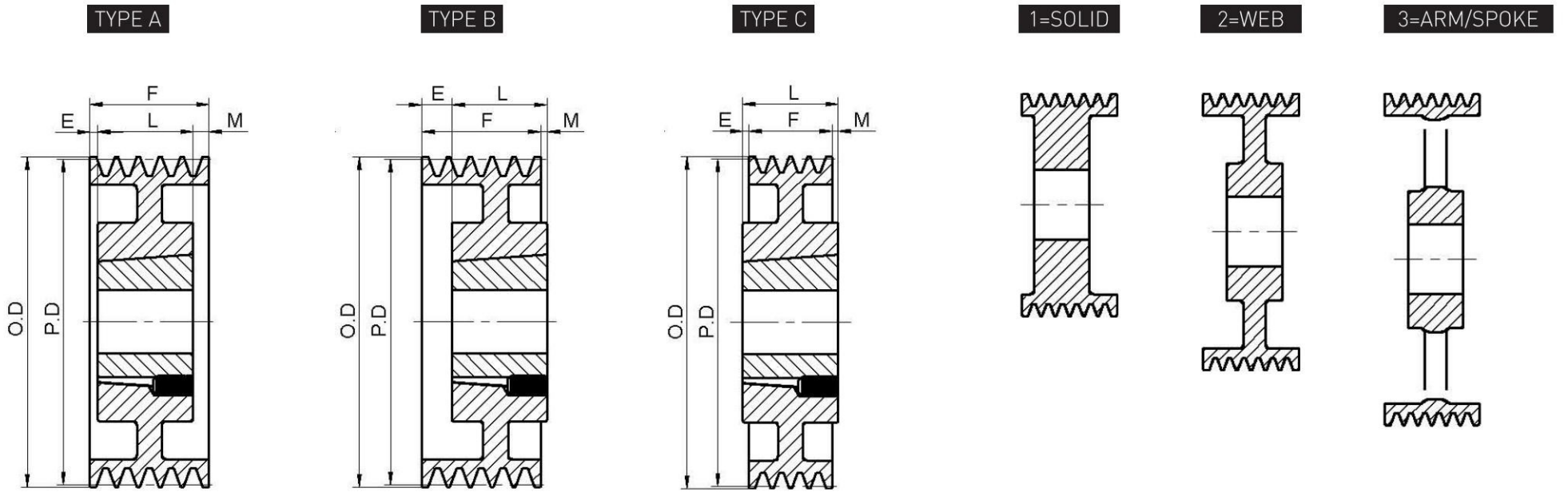
3V series



Table No.5 Specifications—Stock "3V" Sheaves

Part No.	Bushing	Type	DIAMETERS			Dimensions								Wt. Less Bush.
			Pitch "3V" Belts	Outside	Inside	O.L.	L	P	C	H	G	X	E	
5 GROOVES, F = 2 5/16"														
5P3V47	P1	13-Web	4.70	4.75"	3 1/2"	2 9/16"	1 15/16"	0	3/8"	3"	5/8"	1 5/16"	1/4"	5.6
5P3V50	P1	13-Web	4.95	5.00	3 13/16	2 9/16	1 15/16	0	3/8	3	5/8	1 5/16	1/4	6.0
5P3V53	P1	13-Web	5.25	5.30	4 1/8	2 9/16	1 15/16	0	3/8	3	5/8	1 5/16	1/4	7.1
5P3V56	P1	13-Web	5.55	5.60	4 3/8	2 9/16	1 15/16	0	3/8	3	5/8	1 5/16	1/4	8.1
5Q3V60	Q1	13-Web	5.95	6.00	4 3/4	2 25/32	2 1/2	3/16"	0	4 1/8	3/4	1 3/4	9/32	9.5
5Q3V65	Q1	13-Web	6.45	6.50	5 1/4	3 1/16	2 1/2	15/32	9/32	4 1/8	3/4	1 3/4	9/32	11.6
5Q3V69	Q1	13-Web	6.85	6.90	5 5/8	3 1/16	2 1/2	15/32	9/32	4 1/8	3/4	1 3/4	9/32	13.9
5Q3V80	Q1	13-Web	7.95	8.00	6 1/2	3 1/16	2 1/2	15/32	9/32	4 1/8	3/4	1 3/4	9/32	14.3
5Q3V106	Q1	13-Arm	10.55	10.60	9 3/8	3 1/16	2 1/2	15/32	9/32	4 1/8	3/4	1 3/4	9/32	17.5
5Q3V140	Q1	13-Arm	13.95	14.00	12 3/4	3 1/16	2 1/2	15/32	9/32	4 1/8	3/4	1 3/4	9/32	27.5
5R3V190	R1	13-Arm	18.95	19.00	17 3/4	3 5/16	2 7/8	23/32	5/32	5 3/8	7/8	2	9/32	40.9
5R3V250	R1	13-Arm	24.95	25.00	23 5/8	3 5/16	2 7/8	23/32	5/32	5 3/8	7/8	2	9/32	64.0
5R3V335	R1	13-Arm	33.45	33.50	32 1/4	3 5/16	2 7/8	23/32	5/32	5 3/8	7/8	2	9/32	92.0
6 GROOVES, F = 2 23/32"														
6Q3V47	Q1	5	4.70"	4.75"	3 1/2"	3 3/4"	2 1/2"	3/4"	31/32"	4 1/8"	3/4"	1 3/4"	9/32"	5.6
6Q3V50	Q1	5	4.95	5.00	3 13/16	3 3/4	2 1/2	3/4	31/32	4 1/8	3/4	1 3/4	9/32	6.1
6Q3V53	Q1	5	5.25	5.30	4 1/8	3 3/4	2 1/2	3/4	31/32	4 1/8	3/4	1 3/4	9/32	7.3
6Q3V56	Q1	13-Sol.	5.55	5.60	4 1/4	3	2 1/2	0	7/32	4 1/8	3/4	1 3/4	9/32	8.8
6Q3V60	Q1	13-Web	5.95	6.00	4 3/4	3	2 1/2	0	7/32	4 1/8	3/4	1 3/4	9/32	10.1
6Q3V65	Q1	13-Web	6.45	6.50	5 1/4	3 17/64	2 1/2	17/64	31/64	4 1/8	3/4	1 3/4	9/32	12.9
6Q3V69	Q1	13-Web	6.85	6.90	5 5/8	3 17/64	2 1/2	17/64	31/64	4 1/8	3/4	1 3/4	9/32	14.4
6Q3V80	Q1	13-Web	7.95	8.00	6 1/2	3 17/64	2 1/2	17/64	31/64	4 1/8	3/4	1 3/4	9/32	16.1
6R3V106	R1	13-Arm	10.55	10.60	9 3/8	3 33/64	2 7/8	33/64	23/64	5 3/8	7/8	2	9/32	22.4
6R3V140	R1	13-Arm	13.95	14.00	12 3/4	3 33/64	2 7/8	33/64	23/64	5 3/8	7/8	2	9/32	32.1
6R3V190	R1	13-Arm	18.95	19.00	17 3/4	3 33/64	2 7/8	33/64	23/64	5 3/8	7/8	2	9/32	42.8
6R3V250	R1	13-Arm	24.95	25.00	23 5/8	3 33/64	2 7/8	33/64	23/64	5 3/8	7/8	2	9/32	64.0
6R3V335	R1	13-Arm	33.45	33.50	32 1/4	3 33/64	2 7/8	33/64	23/64	5 3/8	7/8	2	9/32	99.0
8 GROOVES, F = 3 17/32"														
8Q3V47	Q2	5	4.70"	4.75"	3 1/2"	4 9/16"	3 1/2"	3/4"	25/32"	4 1/8"	3/4"	2 3/4"	9/32"	7.3
8Q3V50	Q2	5	4.95	5.00	3 13/16	4 9/16	3 1/2	3/4	25/32	4 1/8	3/4	2 3/4	9/32	8.6
8Q3V53	Q2	5	5.25	5.30	4 1/8	4 9/16	3 1/2	3/4	25/32	4 1/8	3/4	2 3/4	9/32	10.3
8Q3V56	Q2	15-Sol.	5.55	5.60	4 1/4	3 25/32	3 1/2	1/32	0	4 1/8	3/4	2 3/4	9/32	12.3
8Q3V60	Q2	15-Sol.	5.95	6.00	4 3/4	3 25/32	3 1/2	1/32	0	4 1/8	3/4	2 3/4	9/32	15.1
8Q3V65	Q2	13-Web	6.45	6.50	5 1/4	4 11/64	3 1/2	23/64	25/64	4 1/8	3/4	2 3/4	9/32	18.3
8Q3V69	Q2	13-Web	6.85	6.90	5 5/8	4 11/64	3 1/2	23/64	25/64	4 1/8	3/4	2 3/4	9/32	21.4
8R3V80	R1	13-Web	7.95	8.00	6 1/2	3 59/64	2 7/8	7/64	49/64	5 3/8	7/8	2	9/32	23.2
8R3V106	R1	13-Arm	10.55	10.60	9 3/8	3 59/64	2 7/8	7/64	49/64	5 3/8	7/8	2	9/32	24.5
8R3V140	R1	13-Arm	13.95	14.00	12 3/4	3 59/64	2 7/8	7/64	49/64	5 3/8	7/8	2	9/32	39.0
8R3V190	R1	13-Arm	18.95	19.00	17 3/4	3 59/64	2 7/8	7/64	49/64	5 3/8	7/8	2	9/32	49.0
8R3V250	R1	13-Arm	24.95	25.00	23 5/8	3 59/64	2 7/8	7/64	49/64	5 3/8	7/8	2	9/32	76.0
8S3V335	S1	13-Arm	33.45	33.50	32 1/4	4 55/64	4 3/8	61/64	7/64	6 3/8	1 1/16	3 5/16	3/8	126
10 GROOVES, F = 4 11/32"														
10Q3V47	Q2	5	4.70"	4.75"	3 1/2"	5 3/8"	3 1/2"	3/4"	1 19/32"	4 1/8"	3/4"	2 3/4"	9/32"	8.4
10Q3V50	Q2	5	4.95	5.00	3 13/16	5 3/8	3 1/2	3/4	1 19/32	4 1/8	3/4	2 3/4	9/32	9.9
10Q3V53	Q2	5	5.25	5.30	4 1/8	5 3/8	3 1/2	3/4	1 19/32	4 1/8	3/4	2 3/4	9/32	11.4
10Q3V56	Q2	13-Web	5.55	5.60	4 1/4	4 5/8	3 1/2	0	27/32	4 1/8	3/4	2 3/4	9/32	13.8
10Q3V60	Q2	13-Web	5.95	6.00	4 3/4	4 5/8	3 1/2	0	27/32	4 1/8	3/4	2 3/4	9/32	16.5
10Q3V65	Q2	15-Web	6.45	6.50	5 1/4	4 37/64	3 1/2	3/64	51/64	4 1/8	3/4	2 3/4	9/32	20.4
10Q3V69	Q2	15-Web	6.85	6.90	5 5/8	4 37/64	3 1/2	3/64	51/64	4 1/8	3/4	2 3/4	9/32	23.4
10R3V80	R1	15-Web	7.95	8.00	6 1/2	4 11/32	2 7/8	19/64	1 11/64	5 3/8	7/8	2	9/32	26.0
10R3V106	R1	15-Arm	10.55	10.60	9 3/8	4 11/32	2 7/8	19/64	1 11/64	5 3/8	7/8	2	9/32	28.4
10R3V140	R1	15-Arm	13.95	14.00	12 3/4	4 11/32	2 7/8	19/64	1 11/64	5 3/8	7/8	2	9/32	42.3
10R3V190	R1	15-Arm	18.95	19.00	17 3/4	4 11/32	2 7/8	19/64	1 11/64	5 3/8	7/8	2	9/32	54.0
10S3V250	S1	13-Arm	24.95	25.00	23 5/8	5 17/64	4 3/8	35/64	33/64	6 3/8	1 1/16	3 5/16	3/8	103
10S3V335	S1	13-Arm	33.45	33.50	32 1/4	5 17/64	4 3/8	35/64	33/64	6 3/8	1 1/16	3 5/16	3/8	138

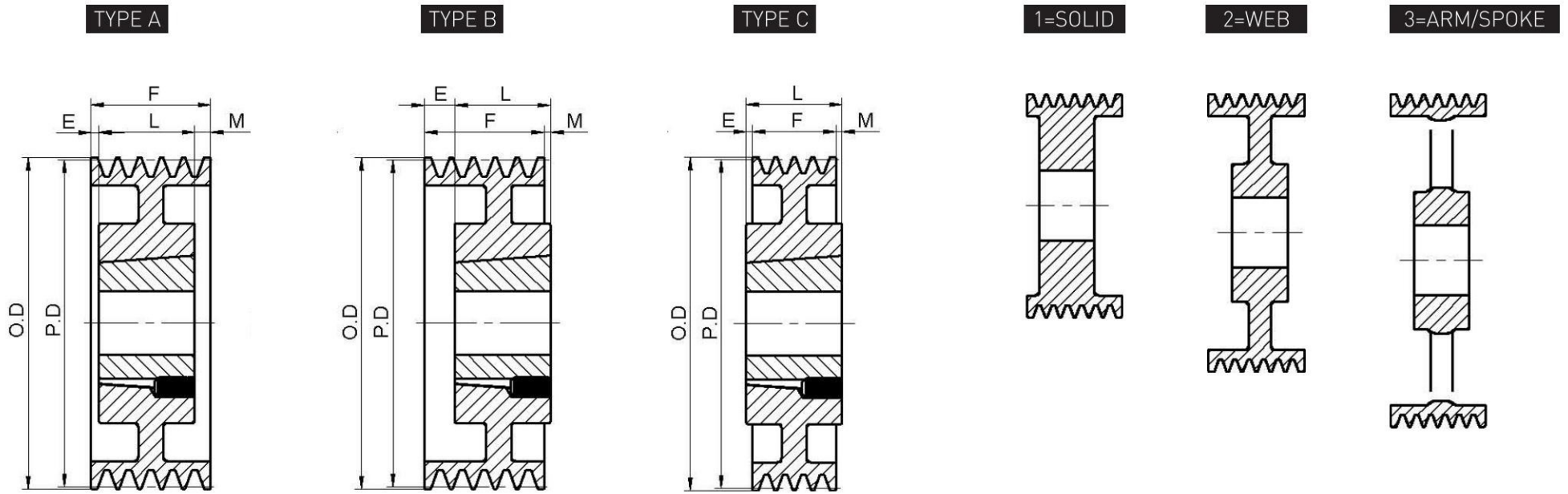
3V series



Dimensions in inches, weight in pounds

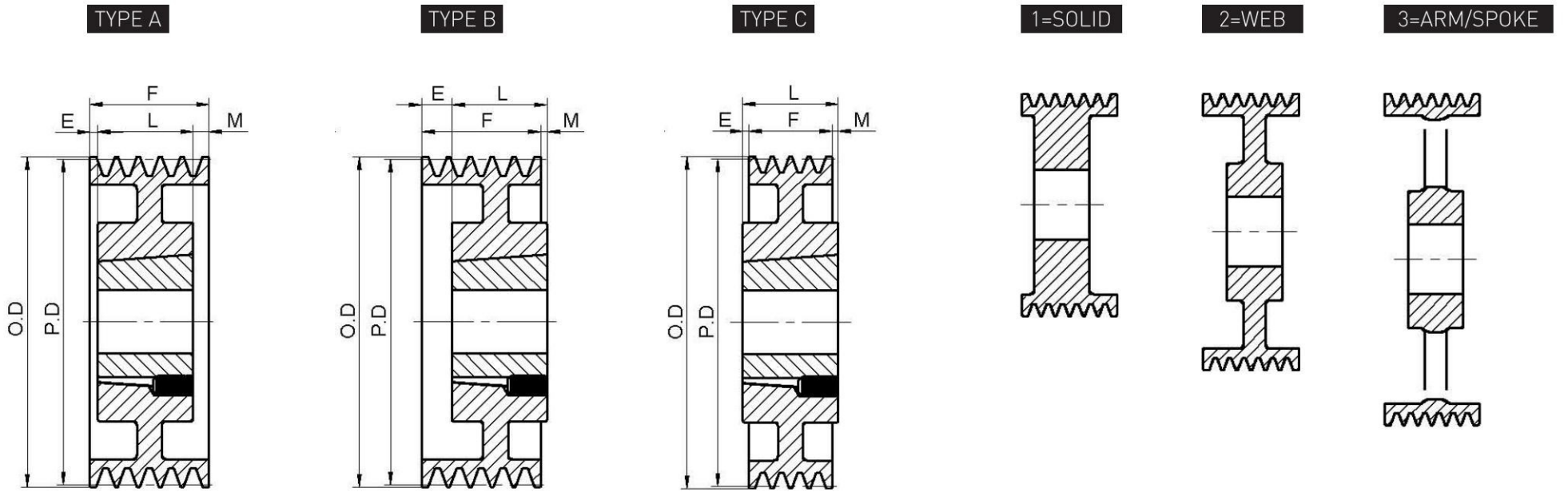
1 GROOVE, F = 11/16"

Part No.	Diameters		Type	Bush	Bush Max. Bore	E	L Thru Bore	M	Wt. Less Bush.
	O.D.	Pitch "3V"							
1 3V265TB	2.65	2.60	A-1	1108	1 1/8	5/16	7/8	0	0.7
1 3V280TB	2.80	2.75	A-1	1108	1 1/8	5/16	7/8	0	0.7
1 3V300TB	3.00	2.95	A-1	1108	1 1/8	5/16	7/8	0	0.7
1 3V315TB	3.15	3.10	A-1	1108	1 1/8	5/16	7/8	0	1.1
1 3V335TB	3.35	3.30	A-1	1610	1 5/8	5/16	1	0	1.0
1 3V365TB	3.65	3.60	A-1	1610	1 5/8	5/16	1	0	1.3
1 3V412TB	4.12	4.07	B-1	1610	1 5/8	0	1	5/16	2.0
1 3V450TB	4.50	4.45	B-1	1610	1 5/8	0	1	5/16	2.4
1 3V475TB	4.75	4.70	B-1	1610	1 5/8	0	1	5/16	2.7
1 3V500TB	5.00	4.95	B-1	1610	1 5/8	0	1	5/16	3.2
1 3V530TB	5.30	5.25	B-1	1610	1 5/8	0	1	5/16	3.5
1 3V560TB	5.60	5.55	B-1	1610	1 5/8	0	1	5/16	4.3
1 3V600TB	6.00	5.95	B-1	1610	1 5/8	0	1	5/16	4.8
1 3V650TB	6.50	6.45	B-1	1610	1 5/8	0	1	5/16	5.2
1 3V690TB	6.90	6.85	B-1	1610	1 5/8	0	1	5/16	5.8
1 3V800TB	8.00	7.95	B-2	2517	2 1/2	0	1 3/4	1 1/16	8.6
1 3V1060TB	10.60	10.55	B-2	2517	2 1/2	0	1 3/4	1 1/16	13.0
1 3V1400TB	14.00	13.95	B-3	2517	2 1/2	0	1 3/4	15/16	15.0
1 3V1900TB	19.00	18.95	B-3	3020	3	0	2	1 3/16	27.0



Dimensions in inches, weight in pounds
2 GROOVES, F = 1 3/32"

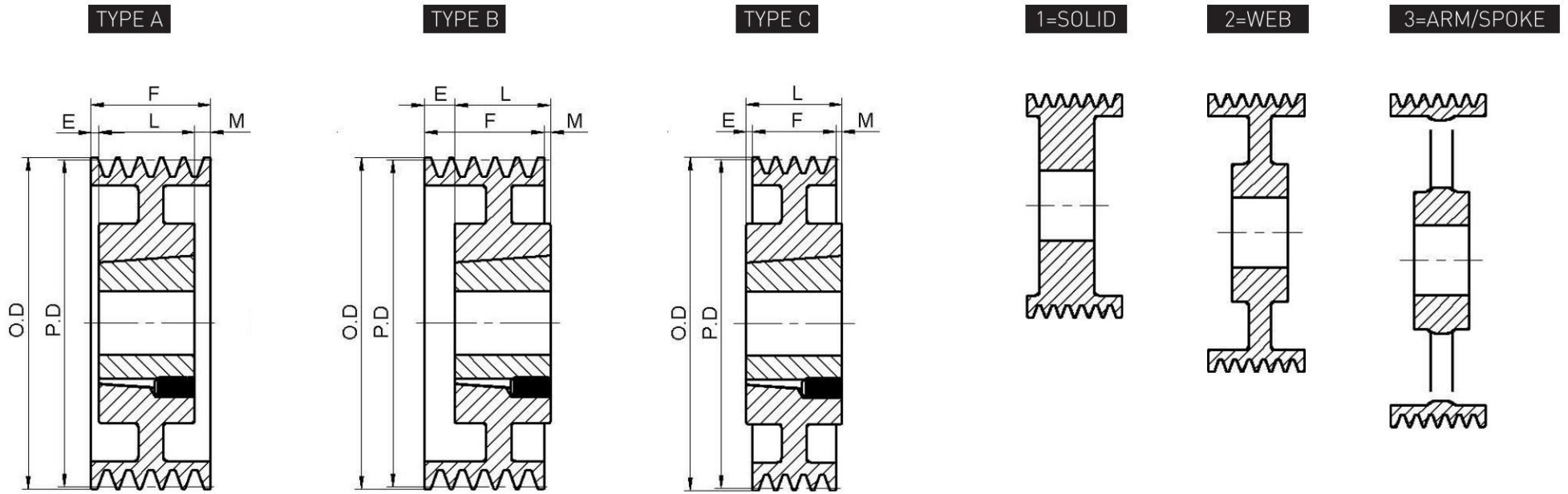
Part No.	Diameters		Type	Bush	Bush Max. Bore	E	L Thru Bore	M	Wt. Less Bush.
	O.D.	Pitch "3V"							
2 3V265TB	2.65	2.60	A-1	1108	1 1/8	7/32	7/8	0	.75
2 3V280TB	2.80	2.75	A-1	1108	1 1/8	7/32	7/8	0	.90
2 3V300TB	3.00	2.95	A-1	1210	1 1/4	3/32	1	0	1.40
2 3V315TB	3.15	3.10	A-1	1210	1 1/4	3/32	1	0	1.60
2 3V335TB	3.35	3.30	A-1	1610	1 5/8	3/32	1	0	1.70
2 3V365TB	3.65	3.60	A-1	1610	1 5/8	3/32	1	0	2.00
2 3V412TB	4.12	4.07	A-1	1610	1 5/8	3/32	1	0	2.10
2 3V450TB	4.50	4.45	A-1	1610	1 5/8	3/32	1	0	2.70
2 3V475TB	4.75	4.70	A-1	1610	1 5/8	3/32	1	0	3.00
2 3V500TB	5.00	4.95	A-1	1610	1 5/8	3/32	1	0	4.00
2 3V530TB	5.30	5.25	A-1	1610	1 5/8	3/32	1	0	5.00
2 3V560TB	5.60	5.55	A-1	1610	1 5/8	3/32	1	0	6.00
2 3V600TB	6.00	5.95	A-1	1610	1 5/8	3/32	1	0	7.00
2 3V650TB	6.50	6.45	A-1	1610	1 5/8	3/32	1	0	8.00
2 3V690TB	6.90	6.85	A-1	1610	1 5/8	3/32	1	0	9.00
2 3V800TB	8.00	7.95	B-2	2517	2 1/2	0	1 3/4	21/32	10.00
2 3V1060TB	10.60	10.55	B-2	2517	2 1/2	0	1 3/4	21/32	14.00
2 3V1400TB	14.00	13.95	B-3	2517	2 1/2	0	1 3/4	21/32	18.00
2 3V1900TB	19.00	18.95	B-3	3020	3	0	2	29/32	32.00
2 3V2500TB	25.00	24.95	C-3	3020	3	1/8	2	25/32	45.00



Dimensions in inches, weight in pounds

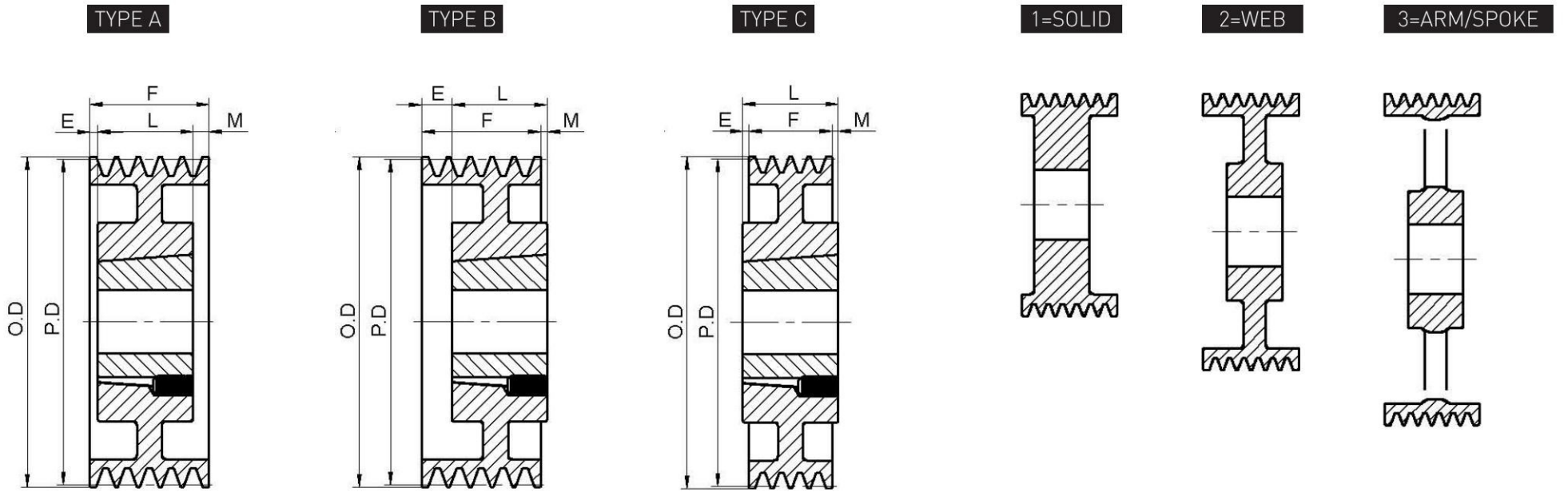
3 GROOVES, F = 1 1/2"

Part No.	Diameters		Type	Bush	Bush Max. Bore	E	L Thru Bore	M	Wt. Less Bush.
	O.D.	Pitch"3V"							
3 3V265TB	2.65	2.60	A-1	1108	1 1/8	5/8	7/8	0	1.0
3 3V280TB	2.80	2.75	A-1	1108	1 1/8	5/8	7/8	0	1.1
3 3V300TB	3.00	2.95	A-1	1210	1 1/4	1/2	1	0	1.8
3 3V315TB	3.15	3.10	A-1	1210	1 1/4	1/2	1	0	2.0
3 3V335TB	3.35	3.30	A-1	1610	1 5/8	1/2	1	0	2.3
3 3V365TB	3.65	3.60	A-1	1610	1 5/8	1/2	1	0	2.6
3 3V412TB	4.12	4.07	A-1	1610	1 5/8	1/2	1	0	3.0
3 3V450TB	4.50	4.45	A-1	1610	1 5/8	1/2	1	0	3.2
3 3V475TB	4.75	4.70	A-1	1610	1 5/8	1/2	1	0	4.0
3 3V500TB	5.00	4.95	A-1	1610	1 5/8	1/2	1	0	4.5
3 3V530TB	5.30	5.25	A-1	1610	1 5/8	1/2	1	0	5.0
3 3V560TB	5.60	5.55	A-1	1610	1 5/8	1/2	1	0	6.0
3 3V600TB	6.00	5.95	B-1	2517	2 1/2	5/32	1 3/4	13/32	7.0
3 3V650TB	6.50	6.45	B-1	2517	2 1/2	5/32	1 3/4	13/32	9.0
3 3V690TB	6.90	6.85	B-1	2517	2 1/2	5/32	1 3/4	13/32	10.0
3 3V800TB	8.00	7.95	B-1	2517	2 1/2	5/32	1 3/4	13/32	15.0
3 3V1060TB	10.60	10.55	B-2	2517	2 1/2	0	1 3/4	1/4	18.0
3 3V1400TB	14.00	13.95	B-3	2517	2 1/2	0	1 3/4	1/4	20.0
3 3V1900TB	19.00	18.95	B-3	3020	3	0	2	1/2	36.0
3 3V2500TB	25.00	24.95	B-3	3020	3	0	2	1/2	47.0
3 3V3350TB	33.50	33.45	B-3	3020	3	1/4	2	1/4	76.0



Dimensions in inches, weight in pounds
4 GROOVES, F = 1 29/32"

Part No.	Diameters		Type	Bush	Bush Max. Bore	E	L Thru Bore	M	Wt. Less Bush.
	O.D.	Pitch "3V"							
4 3V265TB	2.65	2.60	A-1	1108	1 1/8	1 1/32	7/8	0	1.2
4 3V280TB	2.80	2.75	A-1	1108	1 1/8	1 1/32	7/8	0	1.3
4 3V300TB	3.00	2.95	A-1	1210	1 1/4	29/32	1	0	1.3
4 3V315TB	3.15	3.10	A-1	1210	1 1/4	29/32	1	0	1.7
4 3V335TB	3.35	3.30	A-1	1610	1 5/8	29/32	1	0	1.5
4 3V365TB	3.65	3.60	A-1	1610	1 5/8	29/32	1	0	2.2
4 3V412TB	4.12	4.07	A-1	1610	1 5/8	29/32	1	0	3.0
4 3V450TB	4.50	4.45	A-1	1610	1 5/8	29/32	1	0	4.0
4 3V475TB	4.75	4.70	A-1	1610	1 5/8	29/32	1	0	5.0
4 3V500TB	5.00	4.95	A-1	1610	1 5/8	29/32	1	0	5.5
4 3V530TB	5.30	5.25	A-1	1610	1 5/8	29/32	1	0	5.5
4 3V560TB	5.60	5.55	A-1	1610	1 5/8	29/32	1	0	6.2
4 3V600TB	6.00	5.95	A-1	2517	2 1/2	5/32	13/4	0	8.0
4 3V650TB	6.50	6.45	A-1	2517	2 1/2	5/32	13/4	0	9.9
4 3V690TB	6.90	6.85	A-1	2517	2 1/2	5/32	13/4	0	12.0
4 3V800TB	8.00	7.95	A-1	2517	2 1/2	5/32	13/4	0	17.6
4 3V1060TB	10.60	10.55	A-2	2517	2 1/2	5/32	13/4	0	19.0
4 3V1400TB	14.00	13.95	A-3	2517	2 1/2	0	13/4	5/32	20.2
4 3V1900TB	19.00	18.95	C-3	3020	3	0	2	3/32	45.0
4 3V2500TB	25.00	24.95	C-3	3020	3	0	2	3/32	63.0
4 3V3350TB	33.50	33.45	C-3	3020	3	35/64	3	35/64	80.0



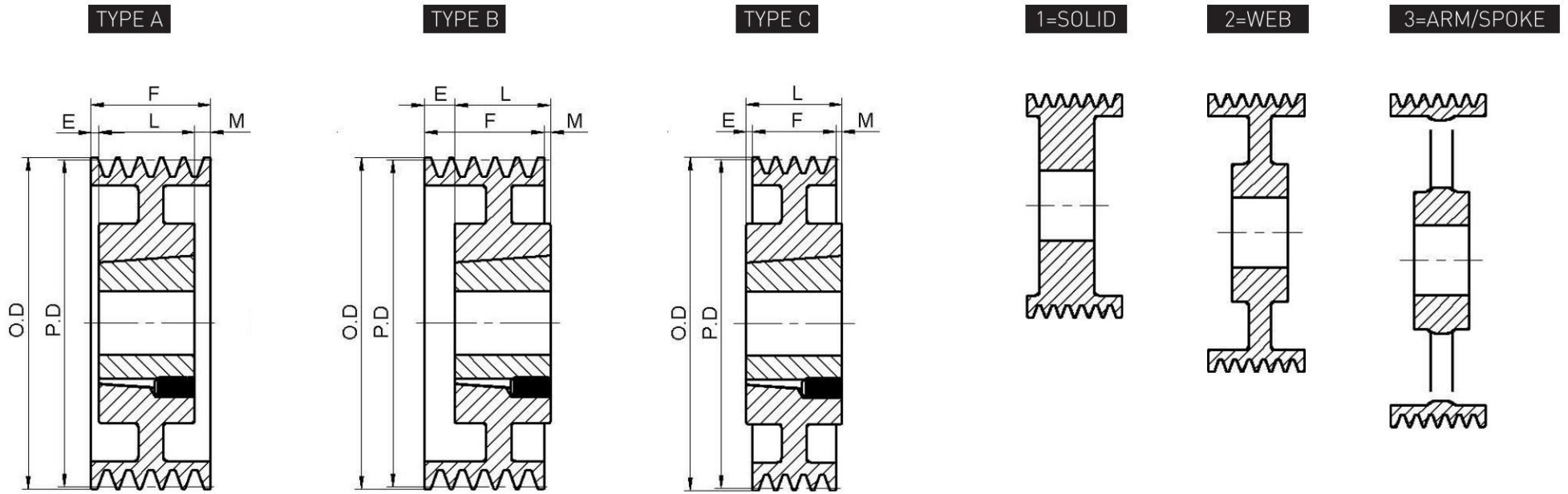
Dimensions in inches, weight in pounds
5 GROOVES, F = 2 5/16"

Part No.	Diameters		Type	Bush	Bush Max. Bore	E	L Thru Bore	M	Wt. Less Bush.
	O.D.	Pitch "3V"							
5 3V450TB	4.50	4.45	A-1	1615	1 5/8	0	1 1/2	13/16	4.0
5 3V475TB	4.75	4.70	A-1	2517	2 1/2	9/16	1 3/4	0	4.0
5 3V500TB	5.00	4.95	A-1	2517	2 1/2	9/16	1 3/4	0	4.8
5 3V530TB	5.30	5.25	A-1	2517	2 1/2	9/16	1 3/4	0	5.9
5 3V560TB	5.60	5.55	A-1	2517	2 1/2	9/16	1 3/4	0	7.0
5 3V600TB	6.00	5.95	A-1	2517	2 1/2	9/16	1 3/4	0	8.0
5 3V650TB	6.50	6.45	A-1	2517	2 1/2	9/16	1 3/4	0	11.0
5 3V690TB	6.90	6.85	A-1	2517	2 1/2	9/16	1 3/4	0	13.0
5 3V800TB	8.00	7.95	A-1	2517	2 1/2	9/16	1 3/4	0	19.0
5 3V1060TB	10.60	10.55	A-2	2517	2 1/2	9/16	1 3/4	0	21.0
5 3V1400TB	14.00	13.95	A-3	2517	2 1/2	0	1 3/4	9/16	30.0
5 3V1900TB	19.00	18.95	A-3	3030	3	11/32	3	11/32	51.0
5 3V2500TB	25.00	24.95	B-3	3030	3	11/32	3	11/32	76.0
5 3V3350TB	33.50	33.45	C-3	3030	3	11/32	3	11/32	97.0

6 GROOVES, F = 2 23/32"

Part Number	Diameters		Type	Bush	Bush Max. Bore	E	L Thru Bore	M	Wt. Less Bush.
	O.D.	Pitch "3V"							
6 3V475TB	4.75	4.70	A-1	2517	2 1/2	31/32	1 3/4	0	4.4
6 3V500TB	5.00	4.95	A-1	2517	2 1/2	31/32	1 3/4	0	5.4
6 3V530TB	5.30	5.25	A-1	2517	2 1/2	31/32	1 3/4	0	5.5
6 3V560TB	5.60	5.55	A-1	2517	2 1/2	31/32	1 3/4	0	7.7
6 3V600TB	6.00	5.95	A-1	2517	2 1/2	31/32	1 3/4	0	9.5
6 3V650TB	6.50	6.45	A-1	2517	2 1/2	31/32	1 3/4	0	12.0
6 3V690TB	6.90	6.85	A-1	2517	2 1/2	31/32	1 3/4	0	13.0
6 3V800TB	8.00	7.95	A-1	2517	2 1/2	31/32	1 3/4	0	20.0
6 3V1060TB	10.60	10.55	A-2	2517	2 1/2	31/32	1 3/4	0	21.0
6 3V1400TB	14.00	13.95	A-3	2517	2 1/2	7/32	1 3/4	0	30.0
6 3V1900TB	19.00	18.95	B-3	3020	3	0	2	23/32	51.0
6 3V2500TB	25.00	24.95	B-3	3030	3	0	3	9/32	81.0
6 3V3350TB	33.50	33.45	C-3	3030	3	9/64	3	9/64	110.0

3V series

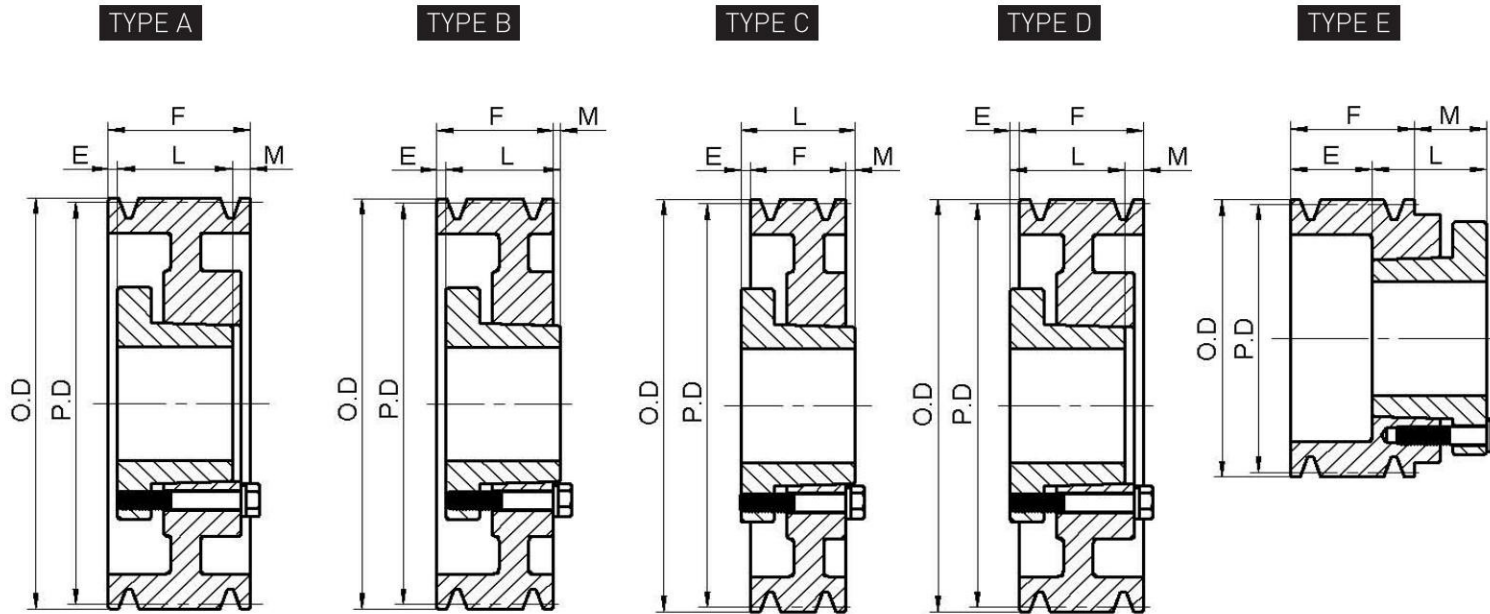


Dimensions in inches, weight in pounds
8 GROOVES, F = 3 17/32"

Part No.	Diameters		Type	Bush	Bush Max. Bore	E	L Thru Bore	M	Wt. Less Bush.
	O.D.	Pitch"3V"							
8 3V475TB	4.75	4.70	A-1	2517	2 1/2	1 25/32	1 3/4	0	5.0
8 3V500TB	5.00	4.95	A-1	2517	2 1/2	1 25/32	1 3/4	0	6.0
8 3V530TB	5.30	5.25	A-1	2517	2 1/2	1 11/32	1 3/4	3/4	7.8
8 3V560TB	5.60	5.55	A-1	2517	2 1/2	1/4	1 3/4	1 17/32	9.0
8 3V600TB	6.00	5.95	A-1	2517	2 1/2	1/4	1 3/4	1 17/32	11.0
8 3V650TB	6.50	6.45	A-1	2517	2 1/2	1/4	1 3/4	1 17/32	13.0
8 3V690TB	6.90	6.85	A-1	2517	2 1/2	1/4	1 3/4	1 17/32	15.0
8 3V800TB	8.00	7.95	A-1	3020	3	1/2	2	1 17/32	19.0
8 3V1060TB	10.60	10.55	A-2	3020	3	1/2	2	1 17/32	26.0
8 3V1400TB	14.00	13.95	A-3	3020	3	21/32	2	7/8	52.0
8 3V1900TB	19.00	18.95	A-3	3535	3 1/2	0	3 1/2	1/32	63.0
8 3V2500TB	25.00	24.95	A-3	3535	3 1/2	0	3 1/2	1/32	89.0
8 3V3350TB	33.50	33.45	C-3	4040	4	15/64	4	15/64	131.0

10 GROOVES, F = 4 11/32"

Part Number	Diameters		Type	Bush	Bush Max. Bore	E	L Thru Bore	M	Wt. Less Bush.
	O.D.	Pitch"3V"							
10 3V475TB	4.75	4.70	A-1	2517	2 1/2	2 19/32	1 3/4	0	6.0
10 3V500TB	5.00	4.95	A-1	2517	2 1/2	2 19/32	1 3/4	0	7.0
10 3V530TB	5.30	5.25	A-1	2517	2 1/2	1 27/32	1 3/4	3/4	8.0
10 3V560TB	5.60	5.55	A-1	2517	2 1/2	1/2	1 3/4	2 3/32	9.0
10 3V600TB	6.00	5.95	A-1	2517	2 1/2	1/2	1 3/4	2 3/32	12.0
10 3V650TB	6.50	6.45	A-1	2517	2 1/2	1/2	1 3/4	2 3/32	14.0
10 3V690TB	6.90	6.85	A-1	2517	2 1/2	1/2	1 3/4	2 3/32	17.0
10 3V800TB	8.00	7.95	A-1	3020	3	1/4	2	2 3/32	22.0
10 3V1060TB	10.60	10.55	A-2	3020	3	27/32	2	1 1/2	32.0
10 3V1400TB	14.00	13.95	A-2	3535	3 1/2	0	3 1/2	27/32	59.0
10 3V1900TB	19.00	18.95	A-3	3535	3 1/2	0	3 1/2	27/32	71.0
10 3V2500TB	25.00	24.95	A-3	4040	4	0	4	11/32	121.0
10 3V3350TB	33.50	33.45	A-3	4040	4	11/64	4	11/32	172.0



Standard Keyseats
Table No.1

Bore Range	Keyseats
1/2" - 9/16"	1/8" x 1/16"
5/8 - 7/8	3/16 x 3/32
15/16 - 1 1/4	1/4 x 1/8
1 5/16 - 1 3/8	5/16 x 5/32
1 7/16 - 1 3/4	3/8 x 3/16
1 13/16 - 2 1/4	1/2 x 1/4
2 5/16 - 2 3/4	5/8 x 5/16
2 13/16 - 3 1/4	3/4 x 3/8
3 3/8 - 3 3/4	7/8 x 7/16
3 7/8 - 4	1 x 1/2

1 3/8" Bore Bushings also available with 3/8x3/16" Keyseats.

Table No.2

Specifications

Part No.	Bushing	Bore Range	Type	P.D. "3V"Belts	O.D.	E	L	M	Wt. Less Bush.
1 GROOVE, F = 11/16"									
13V220JA	JA	1/2" - 1 1/4"	E-Sol.	2.15	2.20	5/8	1	15/16	0.6
13V235JA	JA	1/2 - 1 1/4	E-Sol.	2.30	2.35	19/32	1	29/32	0.7
13V250JA	JA	1/2 - 1 1/4	E-Sol.	2.45	2.50	19/32	1	29/32	0.7
13V265JA	JA	1/2 - 1 1/4	D-Sol.	2.60	2.65	7/16	1	1/8	0.5
13V280JA	JA	1/2 - 1 1/4	D-Sol.	2.75	2.80	7/16	1	1/8	0.6
13V300JA	JA	1/2 - 1 1/4	D-Sol.	2.95	3.00	7/16	1	1/8	0.8
13V315JA	JA	1/2 - 1 1/4	D-Sol.	3.10	3.15	7/16	1	1/8	0.8
13V335JA	JA	1/2 - 1 1/4	D-Sol.	3.30	3.35	7/16	1	1/8	1.0
13V365SH	SH	1/2 - 1 5/8	D-Sol.	3.60	3.65	21/32	1 5/16	3/32	1.2
13V412SH	SH	1/2 - 1 5/8	D-Sol.	4.07	4.12	21/32	1 5/16	3/32	1.7
13V450SH	SH	1/2 - 1 5/8	D-Sol.	4.45	4.50	21/32	1 5/16	3/32	2.0
13V475SH	SH	1/2 - 1 5/8	D-Sol.	4.70	4.75	21/32	1 5/16	3/32	2.4
13V500SH	SH	1/2 - 1 5/8	D-Sol.	4.95	5.00	21/32	1 5/16	3/32	2.7
13V530SH	SH	1/2 - 1 5/8	D-Sol.	5.25	5.30	21/32	1 5/16	3/32	3.2
13V560SH	SH	1/2 - 1 5/8	D-Web	5.55	5.60	21/32	1 5/16	3/32	3.0
13V600SH	SH	1/2 - 1 5/8	D-Web	5.95	6.00	21/32	1 5/16	3/32	3.2
13V650SH	SH	1/2 - 1 5/8	D-Web	6.45	6.50	21/32	1 5/16	3/32	4.2
13V690SH	SH	1/2 - 1 5/8	D-Arm	6.85	6.90	21/32	1 5/16	3/32	3.4
13V800SDS	SDS	1/2-2	D-Arm	7.95	8.00	21/32	1 5/16	3/32	4.3
13V1060SDS	SDS	1/2-2	D-Arm	10.55	10.60	21/32	1 5/16	3/32	6.1
13V1400SK	SK	1/2 - 2 5/8	C-Arm	13.95	14.00	25/32	1 15/16	15/32	10.3
13V1900SK	SK	1/2 - 2 5/8	C-Arm	18.95	19.00	25/32	1 15/16	15/32	15.8
2 GROOVE, F = 1 3/32"									
23V220JA	JA	1/2 - 1 1/4	E-Sol.	2.15	2.20	1 1/32	1	15/16	0.7
23V235JA	JA	1/2 - 1 1/4	E-Sol.	2.30	2.35	1	1	29/32	0.8
23V250JA	JA	1/2 - 1 1/4	E-Sol.	2.45	2.50	1	1	29/32	0.9
23V265JA	JA	1/2 - 1 1/4	D-Sol.	2.60	2.65	3/8	1	15/32	0.7
23V280JA	JA	1/2 - 1 1/4	D-Sol.	2.75	2.80	3/8	1	15/32	0.9
23V300JA	JA	1/2 - 1 1/4	D-Sol.	2.95	3.00	3/8	1	15/32	0.9
23V315JA	JA	1/2 - 1 1/4	D-Sol.	3.10	3.15	3/8	1	15/32	1.1
23V335SH	SH	1/2 - 1 5/8	D-Sol.	3.30	3.35	17/32	1 5/16	5/16	1.3
23V365SH	SH	1/2 - 1 5/8	D-Sol.	3.60	3.65	17/32	1 5/16	5/16	1.6
23V375SH	SH	1/2 - 1 5/8	D-Sol.	3.70	3.75	17/32	1 5/16	5/16	1.8
23V412SH	SH	1/2 - 1 5/8	D-Sol.	4.07	4.12	11/32	1 5/16	1/8	2.1
23V450SH	SH	1/2 - 1 5/8	D-Sol.	4.45	4.50	11/32	1 5/16	1/8	2.5
23V475SH	SH	1/2 - 1 5/8	D-Sol.	4.70	4.75	11/32	1 5/16	1/8	3.0
23V500SH	SH	1/2 - 1 5/8	D-Sol.	4.95	5.00	11/32	1 5/16	1/8	3.3
23V530SH	SH	1/2 - 1 5/8	D-Sol.	5.25	5.30	11/32	1 5/16	1/8	3.9
23V560SH	SH	1/2 - 1 5/8	D-Web	5.55	5.60	11/32	1 5/16	1/8	3.5

3V series



Table No.3

Specifications

Part No.	Bushing	Bore Range	Type	P.D. "3V"Belts	O.D.	E	L	M	Wt. Less Bush.
2 GROOVES(Cont.), F =1 3/32"									
23V600SH	SH	1/2 - 1 5/8	D-Web	5.95	6.00	11/32	1 5/16	1/8	4.1
23V650SDS	SDS	1/2-2	D-Web	6.45	6.50	11/32	1 5/16	1/8	4.7
23V690SDS	SDS	1/2-2	D-Web	6.85	6.90	11/32	1 5/16	1/8	5.3
23V800SDS	SDS	1/2-2	D-Arm	7.95	8.00	11/32	1 5/16	1/8	5.4
23V1060SK	SK	1/2 - 2 5/8	C-Arm	10.55	10.60	17/32	1 15/16	5/16	9.8
23V1400SK	SK	1/2 - 2 5/8	C-Arm	13.95	14.00	17/32	1 15/16	5/16	13.1
23V1900SK	SK	1/2 - 2 5/8	C-Arm	18.95	19.00	17/32	1 15/16	5/16	21.5
23V2500SF	SF	1/2 - 2 5/16	C-Arm	24.95	25.00	19/32	2 1/16	3/8	32.5
3 GROOVES, F =1 1/2"									
33V250JA	JA	1/2" - 1 1/4"	E-Sol.	2.45"	2.50	1 13/32	1	29/32	0.7
33V265JA	JA	1/2 - 1 1/4	D-Sol.	2.60	2.65	3/8	1	7/8	0.9
33V280JA	JA	1/2 - 1 1/4	D-Sol.	2.75	2.80	3/8	1	7/8	1.1
33V300SH	SH	1/2 - 1 5/8	E-Sol.	2.95	3.00	1 5/32	1 5/16	31/32	1.4
33V315SH	SH	1/2 - 1 5/8	E-Sol.	3.10	3.15	1 5/32	1 5/16	31/32	1.6
33V335SH	SH	1/2 - 1 5/8	D-Sol.	3.30	3.35	17/32	1 5/16	23/32	1.7
33V365SH	SH	1/2 - 1 5/8	D-Sol.	3.60	3.65	17/32	1 5/16	23/32	2.1
33V412SH	SH	1/2 - 1 5/8	A-Sol.	4.07	4.12	1/32	1 5/16	5/32	2.6
33V450SDS	SDS	1/2-2	A-Sol.	4.45	4.50	1/32	1 5/16	5/32	2.9
33V475SDS	SDS	1/2-2	A-Sol.	4.70	4.75	1/32	1 5/16	5/32	3.3
33V500SDS	SDS	1/2-2	A-Sol.	4.95	5.00	1/32	1 5/16	5/32	3.7
33V530SDS	SDS	1/2-2	A-Sol.	5.25	5.30	1/32	1 5/16	5/32	4.2
33V560SDS	SDS	1/2-2	A-Sol.	5.55	5.60	1/32	1 5/16	5/32	4.8
33V600SDS	SDS	1/2-2	A-Web	5.95	6.00	1/32	1 5/16	5/32	4.9
33V650SDS	SDS	1/2-2	A-Web	6.45	6.50	1/32	1 5/16	5/32	5.7
33V690SDS	SDS	1/2-2	A-Web	6.85	6.90	1/32	1 5/16	5/32	6.4
33V800SK	SK	1/2 - 2 5/8	D-Web	7.95	8.00	17/32	1 15/16	3/32	9.6
33V1060SK	SK	1/2 - 2 5/8	D-Arm	10.55	10.60	17/32	1 15/16	3/32	11.7
33V1400SK	SK	1/2 - 2 5/8	D-Arm	13.95	14.00	17/32	1 15/16	3/32	15.9
33V1600SK	SK	1/2 - 2 5/8	D-Arm	15.95	16.00	17/32	1 15/16	3/32	20.0
33V1900SF	SF	1/2 - 2 15/16	D-Arm	18.95	19.00	19/32	2 1/16	1/32	25.8
33V2500SF	SF	1/2 - 2 15/16	D-Arm	24.95	25.00	19/32	2 1/16	1/32	40.1
33V3350SF	SF	1/2 - 2 15/16	D-Arm	33.45	33.50	19/32	2 1/16	1/32	65.7
4 GROOVES, F =1 29/32"									
43V265JA	JA	1/2 - 1 1/4	D-Sol.	2.60	2.65	3/8	1	1 9/32	1.2
43V280JA	JA	1/2 - 1 1/4	D-Sol.	2.75	2.80	3/8	1	1 9/32	1.4
43V300SH	SH	1/2 - 1 5/8	E-Sol.	2.95	3.00	1 1/2	1 5/16	29/32	1.5
43V315SH	SH	1/2 - 1 5/8	E-Sol.	3.10	3.15	1 1/2	1 5/16	29/32	1.9
43V335SH	SH	1/2 - 1 5/8	D-Sol.	3.30	3.35	17/32	1 5/16	1 1/8	1.9
43V365SH	SH	1/2 - 1 5/8	D-Sol.	3.60	3.65	17/32	1 5/16	1 1/8	2.7
43V412SH	SH	1/2 - 1 5/8	A-Sol.	4.07	4.12	5/32	1 5/16	7/16	3.0
43V450SDS	SDS	1/2-2	A-Sol.	4.45	4.50	5/32	1 5/16	7/16	3.4
43V475SDS	SDS	1/2-2	A-Sol.	4.70	4.75	5/32	1 5/16	7/16	3.9
43V500SDS	SDS	1/2-2	A-Sol.	4.95	5.00	5/32	1 5/16	7/16	4.3
43V530SDS	SDS	1/2-2	A-Sol.	5.25	5.30	5/32	1 5/16	7/16	5.0
43V560SDS	SDS	1/2-2	A-Sol.	5.55	5.60	5/32	1 5/16	7/16	5.4
43V600SK	SK	1/2 - 2 5/8	D-Sol.	5.95	6.00	5/32	1 15/16	1/8	7.2
43V650SK	SK	1/2 - 2 5/8	D-Sol.	6.45	6.50	5/32	1 15/16	1/8	9.0
43V690SK	SK	1/2 - 2 5/8	D-Sol.	6.85	6.90	5/32	1 15/16	1/8	10.4
43V800SK	SK	1/2 - 2 5/8	D-Web	7.95	8.00	5/32	1 15/16	1/8	10.9
43V1060SK	SK	1/2 - 2 5/8	D-Arm	10.55	10.60	5/32	1 15/16	1/8	14.2
43V1400SK	SK	1/2 - 2 5/8	D-Arm	13.95	14.00	5/32	1 15/16	1/8	19.6
43V1600SK	SK	1/2 - 2 5/8	D-Arm	15.95	16.00	5/32	1 15/16	1/8	25.0
43V1900SF	SF	1/2 - 2 15/16	D-Arm	18.95	19.00	7/32	2 1/16	1/16	31.6
43V2500SF	SF	1/2 - 2 15/16	D-Arm	24.95	25.00	7/32	2 1/16	1/16	50.7
43V3350E	E	7/8 - 3 1/2	C-Arm	33.45	33.50	21/32	2 3/4	3/16	79.4

3V series

Table No.4

Specifications

Part No.	Bushing	Bore Range	Type	P.D. "3V"Belts	O.D.	E	L	M	Wt. Less Bush.
5 GROOVES, F =2 5/16"									
53V475SDS	SDS	1/2"- 2"	A-Sol.	4.70	4.75	5/32	1 5/16	27/32	4.3
53V500SDS	SDS	1/2-2	A-Sol.	4.95	5.00	5/32	1 5/16	27/32	5.0
53V530SK	SK	1/2- 2 5/8	A-Sol.	5.25	5.30	5/32	1 15/16	7/32	5.8
53V560SK	SK	1/2- 2 5/8	A-Sol.	5.55	5.60	5/32	1 15/16	7/32	6.6
53V600SK	SK	1/2- 2 5/8	A-Sol.	5.95	6.00	5/32	1 15/16	7/32	8.0
53V650SK	SK	1/2- 2 5/8	A-Web	6.45	6.50	5/32	1 15/16	7/32	9.3
53V690SK	SK	1/2- 2 5/8	A-Web	6.85	6.90	5/32	1 15/16	7/32	9.8
53V800SK	SK	1/2- 2 5/8	A-Web	7.95	8.00	5/32	1 15/16	7/32	12.6
53V1060SK	SK	1/2- 2 5/8	A-Arm	10.55	10.60	5/32	1 15/16	7/32	15.8
53V1400SF	SF	1/2- 2 15/16	A-Arm	13.95	14.00	1/32	2 1/16	7/32	24.3
53V1900SF	SF	1/2- 2 15/16	A-Arm	18.95	19.00	1/32	2 1/16	7/32	37.0
53V2500E	E	7/8-3 1/2	D-Arm	24.95	25.00	17/32	2 3/4	3/32	58.4
53V3350E	E	7/8-3 1/2	D-Arm	33.45	33.50	17/32	2 3/4	3/32	92.6
6 GROOVES, F =2 23/32"									
63V475SK	SK	1/2- 2 5/8	D-Sol.	4.70	4.75	21/32	1 15/16	1 7/16	6.0
63V500SK	SK	1/2- 2 5/8	D-Sol.	4.95	5.00	21/32	1 15/16	1 7/16	7.2
63V530SK	SK	1/2- 2 5/8	A-Sol.	5.25	5.30	17/32	1 15/16	1/4	6.4
63V560SK	SK	1/2- 2 5/8	A-Sol.	5.55	5.60	17/32	1 15/16	1/4	7.3
63V600SK	SK	1/2- 2 5/8	A-Sol.	5.95	6.00	17/32	1 15/16	1/4	8.6
63V650SK	SK	1/2- 2 5/8	A-Sol.	6.45	6.50	17/32	1 15/16	1/4	10.5
63V690SK	SK	1/2- 2 5/8	A-Sol.	6.85	6.90	17/32	1 15/16	1/4	12.1
63V800SK	SK	1/2- 2 5/8	A-Web	7.95	8.00	3/32	1 15/16	11/16	14.3
63V1060SF	SF	1/2- 2 15/16	A-Arm	10.55	10.60	1/32	2 1/16	5/8	19.0
63V1400SF	SF	1/2- 2 15/16	A-Arm	13.95	14.00	1/32	2 1/16	5/8	27.9
63V1900E	E	7/8-3 1/2	D-Arm	18.95	19.00	5/32	2 3/4	1/8	44.8
63V2500E	E	7/8-3 1/2	D-Arm	24.95	25.00	5/32	2 3/4	1/8	62.8
63V3350E	E	7/8-3 1/2	D-Arm	33.45	33.50	5/32	2 3/4	1/8	94.1
8 GROOVES, F =3 17/32"									
83V475SK	SK	1/2- 2 5/8	D-Sol.	4.70	4.75	21/32	1 15/16	2 1/4	5.8
83V500SK	SK	1/2- 2 5/8	D-Sol.	4.95	5.00	21/32	1 15/16	2 1/4	6.9
83V530SK	SK	1/2- 2 5/8	A-Sol.	5.25	5.30	17/32	1 15/16	1 1/16	7.7
83V560SK	SK	1/2- 2 5/8	A-Sol.	5.55	5.60	17/32	1 15/16	1 1/16	8.5
83V600SK	SK	1/2- 2 5/8	A-Sol.	5.95	6.00	17/32	1 15/16	1 1/16	10.0
83V650SK	SK	1/2- 2 5/8	A-Sol.	6.45	6.50	17/32	1 15/16	1 1/16	12.1
83V690SK	SK	1/2- 2 5/8	A-Sol.	6.85	6.90	17/32	1 15/16	1 1/16	13.9
83V800SF	SF	1/2- 2 15/16	A-Sol.	7.95	8.00	9/32	2 1/16	1 3/16	18.1
83V1060SF	SF	1/2- 2 15/16	A-Web	10.55	10.60	9/32	2 1/16	1 3/16	25.0
83V1400E	E	7/8-3 1/2	A-Arm	13.95	14.00	3/32	2 3/4	11/16	35.2
83V1900E	E	7/8-3 1/2	A-Arm	18.95	19.00	3/32	2 3/4	11/16	50.8
83V2500E	E	7/8-3 1/2	A-Arm	24.95	25.00	3/32	2 3/4	11/16	70.5
83V3350F	F	1-4	D-Arm	33.45	33.50	5/32	3 5/8	1/16	126.5
10 GROOVES, F =4 11/32"									
103V475SK	SK	1/2- 2 5/8	D-Sol.	4.70	4.75	21/32	1 15/16	3 1/16	6.9
103V500SK	SK	1/2- 2 5/8	D-Sol.	4.95	5.00	21/32	1 15/16	3 1/16	8.3
103V530SK	SK	1/2- 2 5/8	A-Sol.	5.25	5.30	21/32	1 15/16	1 3/4	9.0
103V560SK	SK	1/2- 2 5/8	A-Sol.	5.55	5.60	21/32	1 15/16	1 3/4	9.9
103V600SK	SK	1/2- 2 5/8	A-Sol.	5.95	6.00	21/32	1 15/16	1 3/4	11.3
103V650SK	SK	1/2- 2 5/8	A-Sol.	6.45	6.50	21/32	1 15/16	1 3/4	13.0
103V690SK	SK	1/2- 2 5/8	A-Sol.	6.85	6.90	21/32	1 15/16	1 3/4	15.4
103V800SF	SF	1/2- 2 15/16	A-Sol.	7.95	8.00	21/32	2 1/16	1 5/8	20.3
103V1060E	E	7/8-3 1/2	A-Web	10.55	10.60	3/32	2 3/4	1 1/2	32.6
103V1400E	E	7/8-3 1/2	A-Arm	13.95	14.00	3/32	2 3/4	1 1/2	41.3
103V1900E	E	7/8-3 1/2	A-Arm	18.95	19.00	3/32	2 3/4	1 1/2	61.0
103V2500F	F	1-4	A-Arm	24.95	25.00	3/32	3 5/8	5/8	91.5
103V3350F	F	1-4	A-Arm	33.45	33.50	3/32	3 5/8	5/8	135.7

3V series