

Standard Keyseats  
Table No.1

Bore Range	Keyseat
1/2"	None
5/8" to 7/8"	3/16" x 3/32"
15/16" to 1 1/4"	1/4" x 1/8"
17/16"	3/8" x 3/16"

- ◆ HOLLOW HEAD SETSCREWS
- ◆ STATICALLY BALANCED

Two Groove Sheaves for "4L" or "A" Belts

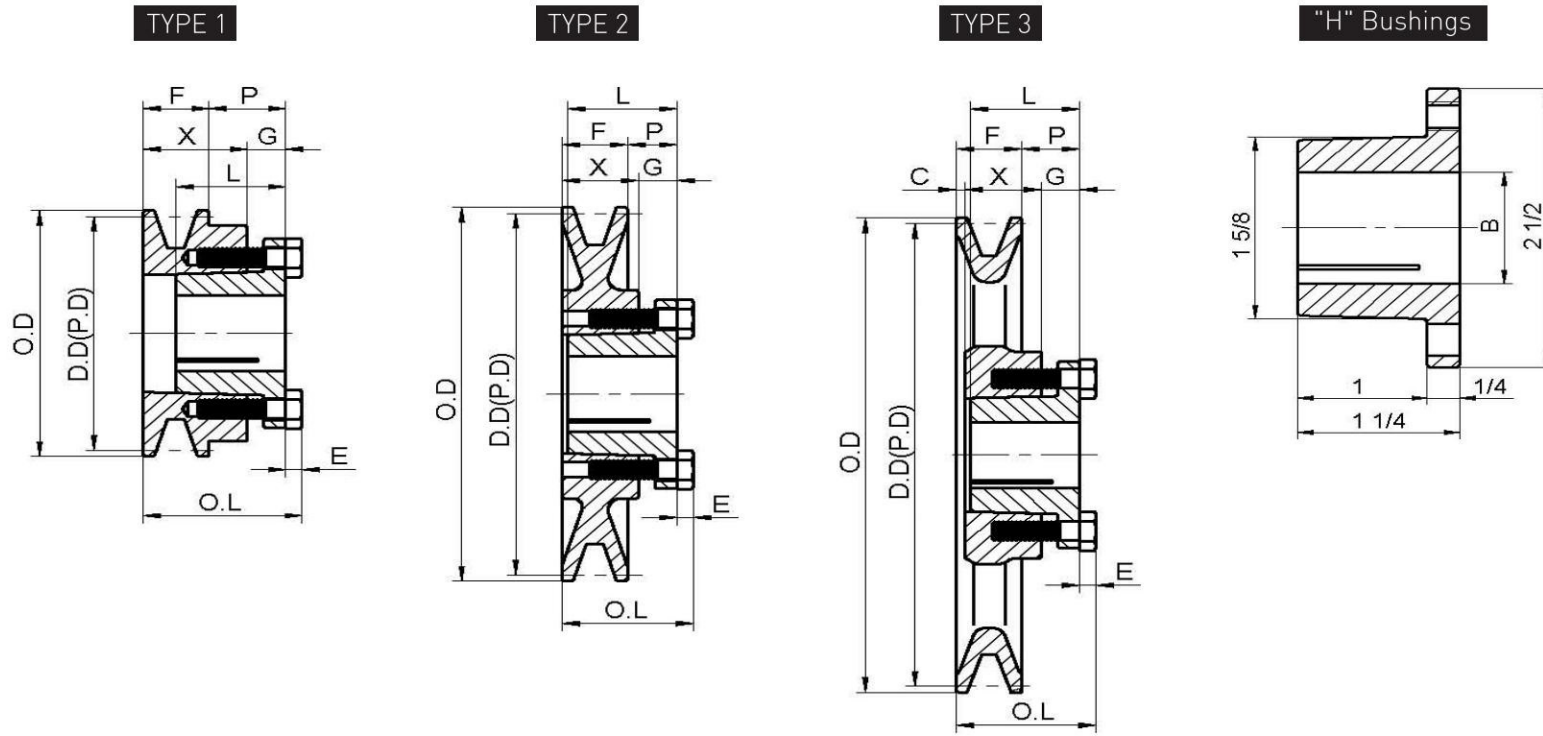
"3L" Belts may be used with These Sheaves as Indicated in Table Below

Table No.2

Stock Sizes—Finished Bore



PART NO.	Type	DIAMETERS			DIMENSIONS				STOCK BORES MARKED PRODUCT CODE											Wt. Lbs
		Outside	Datum "A"	Pitch "3L"	F	L	P	C	1/2"	5/8"	3/4"	7/8"	15/16"	1"	1 1/8"	1 3/16"	1 1/4"	1 3/8"	1 7/16"	
2AK20	1	2.00	1.80	1.46	1 3/8	1 21/32	15/32	3/16	008006	008015	008011	—	—	—	—	—	—	—	—	0.7
2AK21	1	2.15	1.90	1.56	1 3/8	1 21/32	15/32	3/16	008022	008027	008024	—	—	—	—	—	—	—	—	0.9
2AK22	1	2.25	2.00	1.66	1 3/8	1 21/32	15/32	3/16	048679	008041	008036	008046	—	080937	—	—	—	—	—	0.9
2AK23	1	2.35	2.10	1.76	1 3/8	1 21/32	15/32	3/16	—	008056	008053	008059	—	008050	—	—	—	—	—	1
2AK25	1	2.55	2.30	1.96	1 3/8	1 21/32	15/32	3/16	048682	048685	048684	008085	—	008071	008067	—	—	—	—	1.2
2AK26	1	2.65	2.40	2.06	1 3/8	1 21/32	15/32	3/16	058398	008096	008093	048687	—	008090	—	—	—	—	—	1.4
2AK27	1	2.75	2.50	2.16	1 3/8	1 21/32	15/32	3/16	084740	008116	048689	048693	—	008108	008104	—	—	—	—	1.4
2AK28	1	2.85	2.60	2.26	1 3/8	1 21/32	15/32	3/16	058409	008138	008132	008142	—	008126	075369	—	—	—	—	1.5
2AK30	1	3.05	2.80	2.46	1 3/8	1 21/32	15/32	3/16	008148	008170	008165	008175	—	008159	008153	—	—	—	—	1.9
2AK32	1	3.25	3.00	2.66	1 3/8	1 21/32	15/32	3/16	008182	008204	008199	008209	—	008193	008187	—	—	—	—	2.1
2AK34	1	3.45	3.20	2.86	1 3/8	1 21/32	15/32	3/16	008216	008234	008229	008240	—	008224	048702	—	—	—	—	2.4
2AK39	2	3.75	3.50	3.16	1 3/8	1 11/32	15/32	1/2	008247	008270	008263	008276	—	048706	008252	—	—	—	—	2.5
2AK41	2	3.95	3.70	3.36	1 3/8	1 11/32	15/32	1/2	058438	008299	008293	008305	—	048709	048707	—	—	—	—	2.8
2AK44	2	4.25	4.00	3.66	1 3/8	1 11/32	15/32	1/2	058444	008326	048712	048715	—	008317	008311	—	—	—	—	3.1
2AK46	2	4.45	4.20	3.86	1 3/8	1 11/32	15/32	1/2	008334	008354	008350	008359	—	008345	008339	—	—	—	—	3.4
2AK49	2	4.75	4.50	4.16	1 3/8	1 11/32	15/32	1/2	—	—	008382	008389	—	008377	048718	008370	—	008373	—	4
2AK51	2	4.95	4.70	4.36	1 3/8	1 11/32	15/32	1/2	—	100429	008418	008424	—	008412	008398	008402	—	008406	—	4.1
2AK54	3	5.25	5.00	4.66	1 3/8	1 11/32	15/32	1/2	—	048724	008450	008459	—	008445	008433	058472	—	008439	—	3.9
2AK56	3	5.45	5.20	4.86	1 3/8	1 11/32	15/32	1/2	—	008484	008480	076719	—	008478	008468	058479	008463	008473	—	4.1
2AK59	3	5.75	5.50	5.16	1 3/8	1 11/32	15/32	1/2	—	008519	008517	058483	—	008513	008499	075685	008492	008508	—	4.4
2AK61	3	5.95	5.70	5.36	1 3/8	1 11/32	15/32	1/2	—	008542	048737	048504	—	008536	048734	008528	008522	008532	—	4.4
2AK64	3	6.25	6.00	5.66	1 3/8	1 19/32	11/32	1/8	—	080571	008573	058497	—	008569	008556	008559	008551	008563	008565	5.1
2AK74	3	7.25	7.00	6.66	1 3/8	1 5/8	3/8	1/8	—	079087	048511	008610	—	008599	008584	008588	008582	008593	008595	6.2
2AK84	3	8.25	8.00	7.66	1 3/8	1 5/8	3/8	1/8	—	—	008645	008653	008631	008640	008620	008624	008615	008629	008635	7
2AK94	3	9.25	9.00	8.66	1 3/8	1 5/8	3/8	1/8	—	—	008685	008691	—	008680	008663	008666	008659	008670	008675	7.8
2AK104	3	10.25	10.00	9.66	1 3/8	1 5/8	3/8	1/8	—	079088	007871	007878	081285	007867	007851	007855	007848	007858	007862	9
2AK114	3	11.25	11.00	10.66	1 3/8	1 5/8	3/8	1/8	—	—	007898	007900	—	007895	007884	007886	007882	007889	007892	9.9
2AK124	3	12.25	12.00	11.66	1 3/8	1 5/8	3/8	1/8	—	—	007926	007931	—	007923	007908	007913	007904	007915	007918	11.9
2AK134	3	13.25	13.00	12.66	1 3/8	1 5/8	3/8	1/8	—	—	080449	080450	—	080451	080452	080453	080454	080455	080456	12.8
2AK144	3	14.25	14.00	13.66	1 3/8	1 5/8	3/8	1/8	—	—	079089	079090	—	079091	079092	079093	079094	079095	079096	14
2AK154	3	15.25	15.00	14.66	1 3/8	1 5/8	3/8	1/8	—	—	080457	080458	—	080459	080460	080461	080462	080463	080464	14.8
2AK184	3	18.25	18.00	17.66	1 3/8	1 5/8	3/8	1/8	—	—	081352	081351	—	081350	081349	081286	081348	081347	081287	17.4



### Single Groove Sheaves for "4L" or "A" Belts

"3L" Belts may be used with These Sheaves as Indicated in Table Below

Table No.1

Stock Sizes—with split Taper Bushings

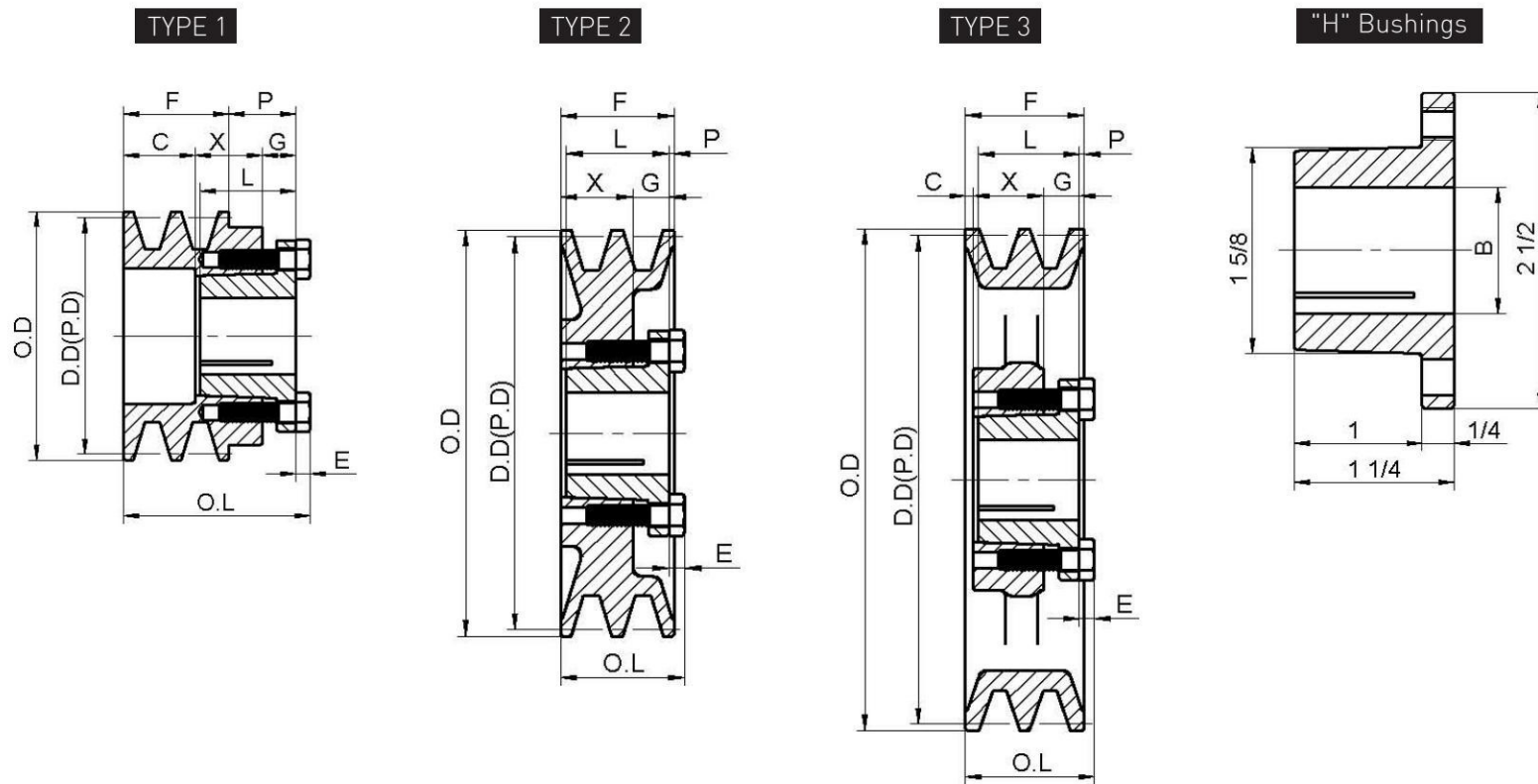


Part No.	Type	DIAMETERS			DIMENSIONS							Wt less Bush.
		O.D.	Datum "A"	Pitch "3L"	O.L.	F	L	P	X	G	E	
AK30H	1	3.05	2.80	2.46	1 3/4	3/4	1 1/4	29/35	1 3/16	3/8	3/16	1.10
AK32H	1	3.25	3.00	2.66	1 3/4	3/4	1 1/4	29/35	1 3/16	3/8	3/16	1.32
AK34H	2	3.45	3.20	2.86	1 7/16	3/4	1 1/4	1/2	7/8	3/8	3/16	1.08
AK36H	2	3.65	3.40	3.36	1 7/16	3/4	1 1/4	1/2	7/8	3/8	3/16	1.10
AK39H	2	3.75	3.50	3.16	1 7/16	3/4	1 1/4	1/2	7/8	3/8	3/16	1.32
AK41H	2	3.95	3.70	3.36	1 7/16	3/4	1 1/4	1/2	7/8	3/8	3/16	1.43
AK44H	2	4.25	4.00	3.66	1 7/16	3/4	1 1/4	1/2	7/8	3/8	3/16	1.74
AK46H	2	4.45	4.20	3.86	1 7/16	3/4	1 1/4	1/2	7/8	3/8	3/16	1.87
AK49H	2	4.75	4.50	4.16	1 7/16	3/4	1 1/4	1/2	7/8	3/8	3/16	1.98
AK51H	2	4.95	4.70	4.36	1 7/16	3/4	1 1/4	1/2	7/8	3/8	3/16	2.18
AK54H	2	5.25	5.00	4.66	1 7/16	3/4	1 1/4	1/2	7/8	3/8	3/16	2.43
AK56H	2	5.45	5.20	4.86	1 7/16	3/4	1 1/4	1/2	7/8	3/8	3/16	2.69
AK59H	2	5.75	5.50	5.16	1 7/16	3/4	1 1/4	1/2	7/8	3/8	3/16	2.98
AK61H	3	5.95	5.70	5.36	1 7/16	3/4	1 1/4	1/2	7/8	3/8	3/16	2.43
AK64H	3	6.25	6.00	5.66	1 7/16	3/4	1 1/4	1/2	7/8	3/8	3/16	2.43
AK66H	3	6.45	6.20	5.86	1 7/16	3/4	1 1/4	1/2	7/8	3/8	3/16	2.80
AK69H	3	6.75	6.50	6.16	1 7/16	3/4	1 1/4	1/2	7/8	3/8	3/16	2.98
AK71H	3	6.95	6.70	6.36	1 7/16	3/4	1 1/4	1/2	7/8	3/8	3/16	3.02
AK74H	3	7.25	7.00	6.66	1 7/16	3/4	1 1/4	1/2	7/8	3/8	3/16	3.02
AK79H	3	7.75	7.50	7.16	1 7/16	3/4	1 1/4	1/2	7/8	3/8	3/16	3.62
AK84H	3	8.25	8.00	7.66	1 7/16	3/4	1 1/4	1/2	7/8	3/8	3/16	3.75
AK89H	3	8.75	8.50	8.16	1 7/16	3/4	1 1/4	1/2	7/8	3/8	3/16	4.19
AK94H	3	9.25	9.00	8.66	1 7/16	3/4	1 1/4	1/2	7/8	3/8	3/16	4.52
AK99H	3	9.75	9.50	9.16	1 7/16	3/4	1 1/4	1/2	7/8	3/8	3/16	4.92
AK104H	3	10.25	10.00	9.66	1 7/16	3/4	1 1/4	1/2	7/8	3/8	3/16	5.05
AK109H	3	10.75	10.50	10.16	1 7/16	3/4	1 1/4	1/2	7/8	3/8	3/16	5.67
AK114H	3	11.25	11.00	10.66	1 7/16	3/4	1 1/4	1/2	7/8	3/8	3/16	5.82
AK124H	3	12.25	12.00	11.66	1 7/16	3/4	1 1/4	1/2	7/8	3/8	3/16	7.47
AK134H	3	13.25	13.00	12.66	1 7/16	3/4	1 1/4	1/2	7/8	3/8	3/16	8.58
AK144H	3	14.25	14.00	13.66	1 7/16	3/4	1 1/4	1/2	7/8	3/8	3/16	10.34
AK154H	3	15.25	15.00	14.66	1 7/16	3/4	1 1/4	1/2	7/8	3/8	3/16	11.02
AK184H	3	18.25	18.00	17.66	1 7/16	3/4	1 1/4	1/2	7/8	3/8	3/16	14.88

# 2AKH

AKH for "4L" or "A" Belts(P.3~P.4)

Cast Iron Sheaves



## Two Groove Sheaves for "4L" or "A" Belts

"3L" Belts may be used with These Sheaves as Indicated in Table Below

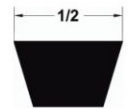


Table No.1

Stock Sizes—with split Taper Bushings

Part No.	Type	DIAMETERS			DIMENSIONS								Wt less Bush.
		O.D.	Datum "A"	Pitch "3L"	O.L.	F	L	P	C	X	G	E	
2AK30H	1	3.05	2.80	2.46	2 3/8	1 3/8	1 1/4	13/16	15/16	7/8	3/8	3/16	1.59
2AK32H	1	3.25	3.00	2.66	2 3/8	1 3/8	1 1/4	13/16	15/16	7/8	3/8	3/16	1.83
2AK34H	1	3.45	3.20	2.86	1 15/16	1 3/8	1 1/4	3/8	1/2	7/8	3/8	3/16	1.54
2AK39H	1	3.75	3.50	3.16	1 15/16	1 3/8	1 1/4	3/8	1/2	7/8	3/8	3/16	1.98
2AK41H	2	3.95	3.70	3.36	1 7/16	1 3/8	1 1/4	1/8	—	7/8	3/8	3/16	2.07
2AK44H	2	4.25	4.00	3.66	1 7/16	1 3/8	1 1/4	1/8	—	7/8	3/8	3/16	2.45
2AK46H	2	4.45	4.20	3.86	1 7/16	1 3/8	1 1/4	1/8	—	7/8	3/8	3/16	2.76
2AK48H	2	4.65	4.40	4.06	1 7/16	1 3/8	1 1/4	1/8	—	7/8	3/8	3/16	2.95
2AK49H	2	4.75	4.50	4.16	1 7/16	1 3/8	1 1/4	1/8	—	7/8	3/8	3/16	3.06
2AK51H	2	4.95	4.70	4.36	1 7/16	1 3/8	1 1/4	1/8	—	7/8	3/8	3/16	3.31
2AK54H	2	5.25	5.00	4.66	1 7/16	1 3/8	1 1/4	1/8	—	7/8	3/8	3/16	3.86
2AK56H	2	5.45	5.20	4.86	1 7/16	1 3/8	1 1/4	1/8	—	7/8	3/8	3/16	4.30
2AK59H	3	5.75	5.50	5.16	1 7/16	1 3/8	1 1/4	1/8	0	7/8	3/8	3/16	3.66
2AK61H	3	5.95	5.70	5.36	1 7/16	1 3/8	1 1/4	1/8	0	7/8	3/8	3/16	3.86
2AK64H	3	6.25	6.00	5.66	1 7/16	1 3/8	1 1/4	1/8	0	7/8	3/8	3/16	3.75
2AK74H	3	7.25	7.00	6.66	1 7/16	1 3/8	1 1/4	1/8	0	7/8	3/8	3/16	4.65
2AK84H	3	8.25	8.00	7.66	1 7/16	1 3/8	1 1/4	1/8	0	7/8	3/8	3/16	5.84
2AK94H	3	9.25	9.00	8.66	1 7/16	1 3/8	1 1/4	1/8	0	7/8	3/8	3/16	6.17
2AK104H	3	10.25	10.00	9.66	1 7/16	1 3/8	1 1/4	1/8	0	7/8	3/8	3/16	6.83
2AK114H	3	11.25	11.00	10.66	1 7/16	1 3/8	1 1/4	1/8	0	7/8	3/8	3/16	9.46
2AK124H	3	12.25	12.00	11.66	1 7/16	1 3/8	1 1/4	1/8	0	7/8	3/8	3/16	10.12
2AK134H	3	13.25	13.00	12.66	1 7/16	1 3/8	1 1/4	1/8	0	7/8	3/8	3/16	11.90
2AK144H	3	14.25	14.00	13.66	1 7/16	1 3/8	1 1/4	1/8	0	7/8	3/8	3/16	13.14
2AK154H	3	15.25	15.00	14.66	1 7/16	1 3/8	1 1/4	1/8	0	7/8	3/8	3/16	14.40
2AK184H	3	18.25	18.00	17.66	1 7/16	1 3/8	1 1/4	1/8	0	7/8	3/8	3/16	20.06