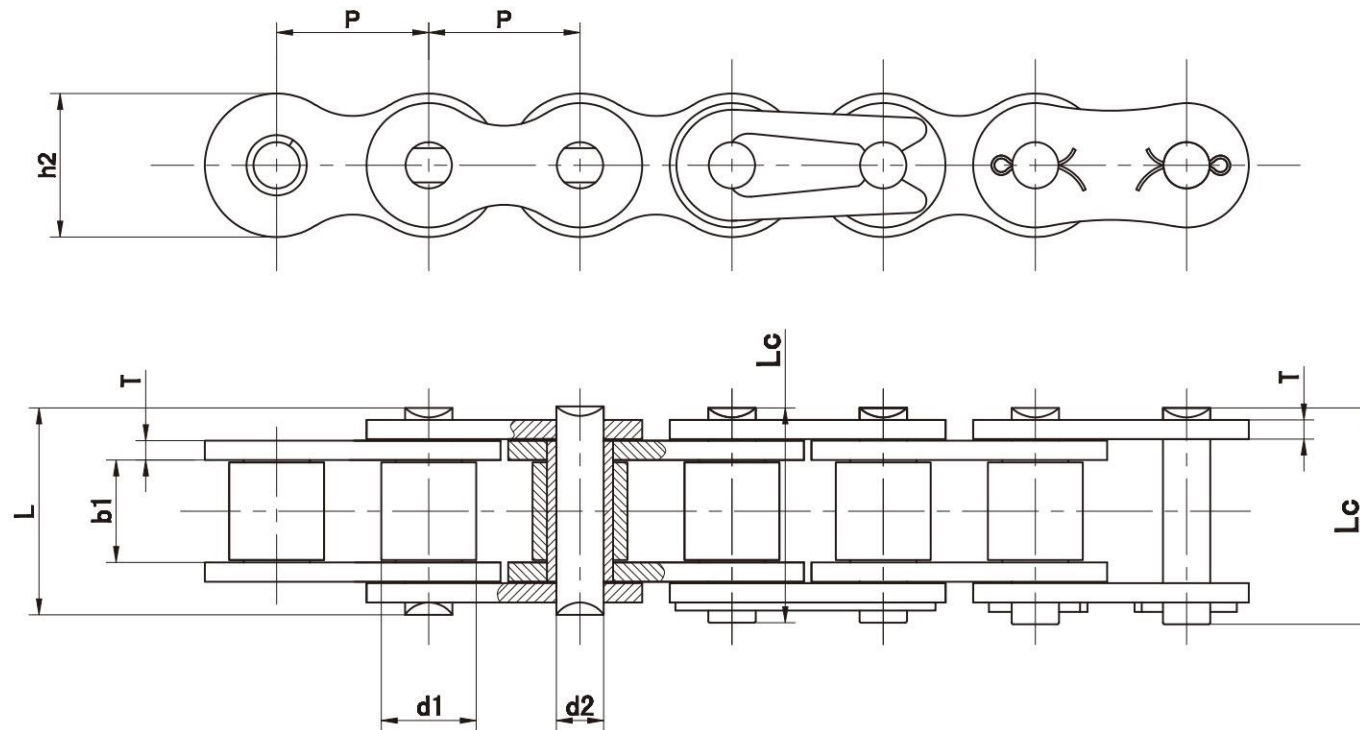
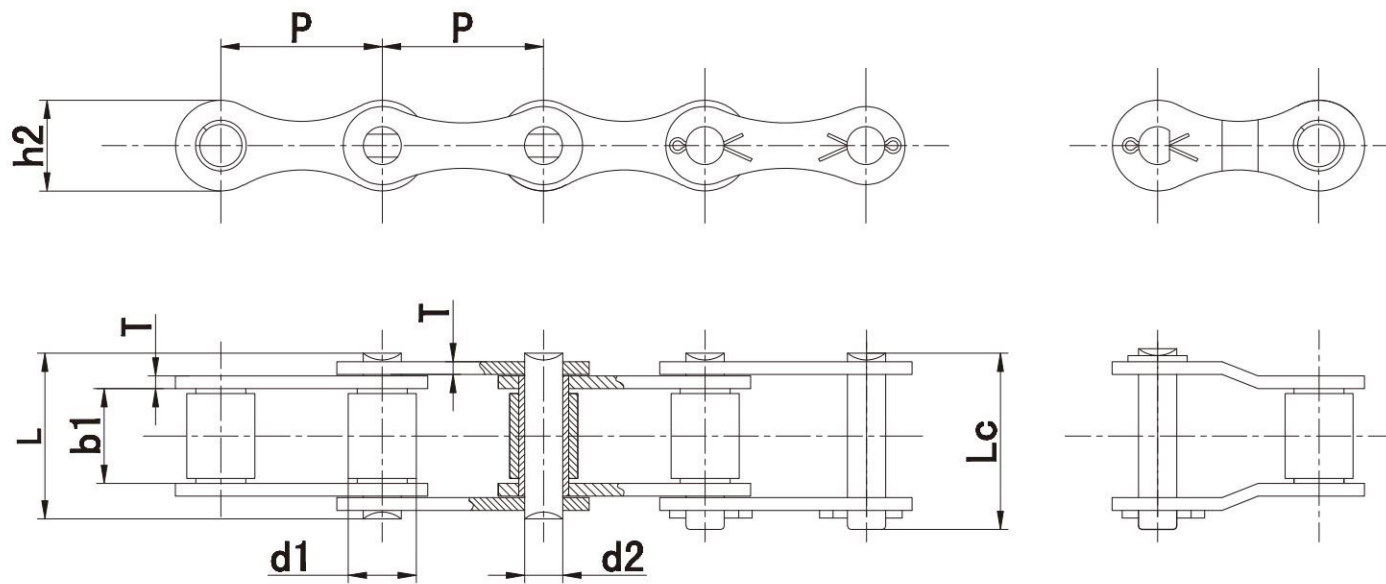


11 其他滚子链

Other roller chain

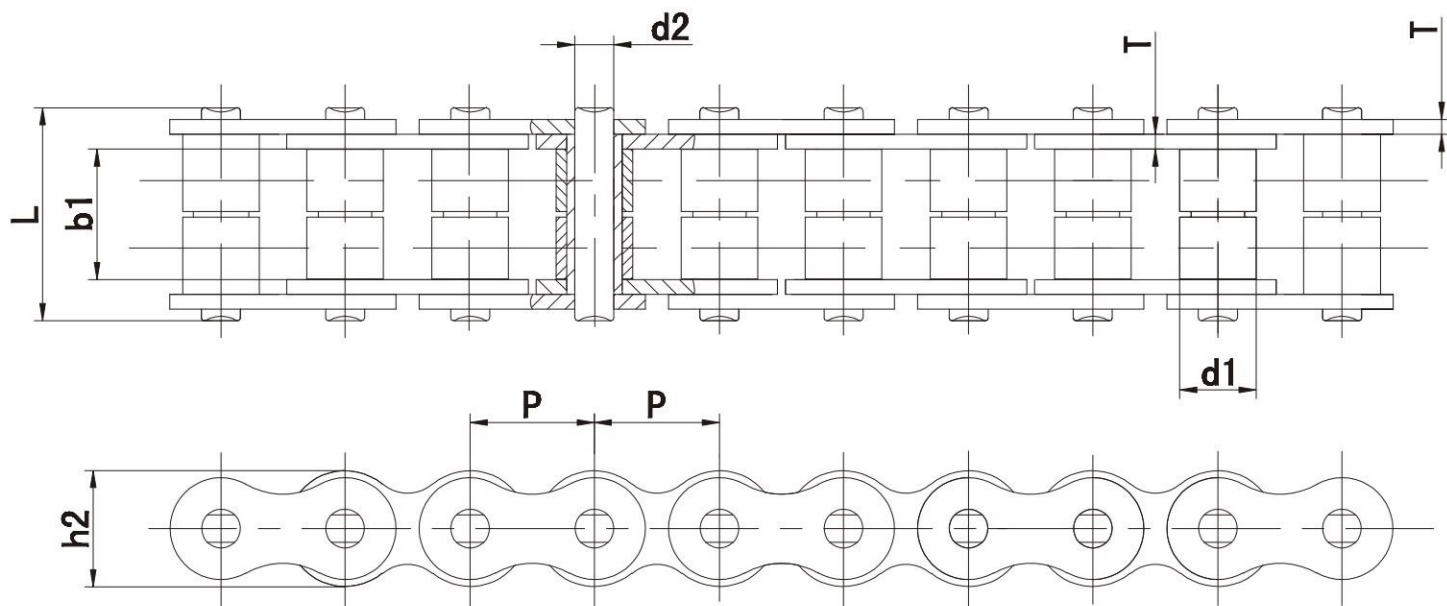


Chain No.	节距 Pitch	滚子直径 Roller Diameter	内节内宽 Width between Inner Plates	销轴直径 Pin Diameter	销轴长度 Pin Length		内链板高度 Inner Plate Depth	链板厚度 Plate Thickness	极限拉伸载荷 Ultimate Tensile Strength	平均拉伸载荷 Average Tensile Strength	每米重量 Weight Per Meter
	p	d1 max	b1 min	d2 max	L max	Lc max	h2 max	T max	Q min	Q0	q
	mm	mm	mm	mm	mm	mm	mm	mm	kN/LB	kN	kg/m
415	12.700	7.77	4.76	3.60	11.0	12.4	9.70	1.00	6.86/1559	7.6	0.32
415H	12.700	7.77	4.76	3.96	13.1	14.5	12.00	1.50	14.40/3273	16.1	0.55



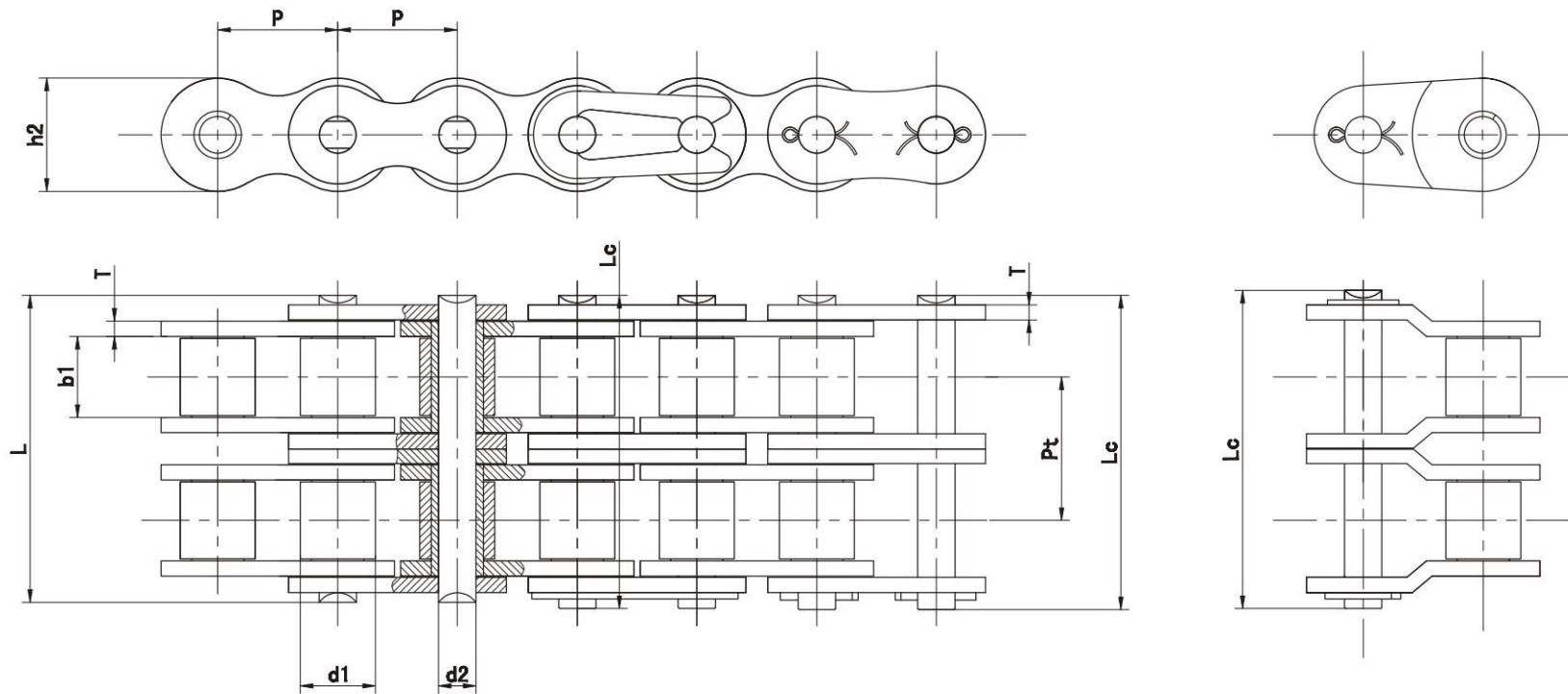
Chain No.	节距 Pitch	滚子直径 Roller Diameter	内节内宽 Width between Inner Plates	销轴直径 Pin Diameter	销轴长度 Pin Length		内链板高度 Inner Plate Depth	链板厚度 Plate Thickness	极限拉伸载荷 Ultimate Tensile Strength	平均拉伸载荷 Average Tensile Strength	每米重量 Weight Per Meter
	p	d1 max	b1 min	d2 max	L max	Lc max	h2 max	T	Q min	Q0	q
	mm	mm	mm	mm	mm	mm	mm	mm	kN/LB	kN	kg/m
GS38	38.0	16.0	22.0	9.0	39.0	43.0	21.5	3.0	40.0/9091	55.3	2.00

# 11 其他滚子链



Chain No.	节距 Pitch	滚子直径 Roller Diameter	内节内宽 Width between Inner Plates	销轴直径 Pin Diameter	销轴长度 Pin Length	内链板高度 Inner Plate Depth	链板厚度 Plate Thickness	极限拉伸载荷 Ultimate Tensile Strength
	p	d1 max	b1 min	d2 max	L max	h2 max	T max	Q min
	mm	mm	mm	mm	mm	mm	mm	kN/LB
12ALZ-13	19.05	11.91	18.96	5.94	31.9	18.0	2.4	22.2/5045

# 1 拖拉机链



DIN/ISO 链号	节距 Pitch	滚子直径 Roller Diameter	内节内宽 Width between Inner Plates	销轴直径 Pin Diameter	销轴长度 Pin Length	内链板高度 Inner Plate Depth	链板厚度 Plate Thickness	排距 Transverse Pitch	极限拉伸载荷 Ultimate Tensile Strength	平均拉伸载荷 Average Tensile Strength	每米重量 Weight Per Meter	
DIN/ISO Chain No.	p	d1 max	b1 min	d2 max	L max	Lc max	h2 max	T max	Pt	Q min	Q0	q
	mm	mm	mm	mm	mm	mm	mm	mm	mm	kN/LB	kN	kg/m
08B-2	12.70	8.51	7.75	4.45	31.2	32.2	11.8	1.60	13.92	32.0/7273	38.7	1.34
12A-2	19.05	11.91	12.57	5.94	48.8	50.5	18.0	2.42	22.78	63.6/14455	82.1	2.92
12AH-2	19.05	11.91	12.57	5.94	55.3	57.1	18.0	3.25	26.11	63.6/14455	84.5	3.71

旋耕链推荐用12AH-2加强链!

Recommend 12AH-2 used for rotary tillage chain!

12AH-2加强链可适用于任何硬土旋耕!

12AH-2 heavy chain suit for any solid soil!