

Standard Keyseats
 Table No.1

Bore Range	Keyseat
1/2"	None
5/8" to 7/8"	3/16" x 3/32"
15/16" to 1 1/4"	1/4 x 1/8"
1 7/16"	3/8 x 3/16"

- ◆ HOLLOW HEAD SETSCREWS
- ◆ STATICALLY BALANCED

Single Groove Sheaves for "4L" or "A" Belts and "5L" or "B" Belts



Table No.2

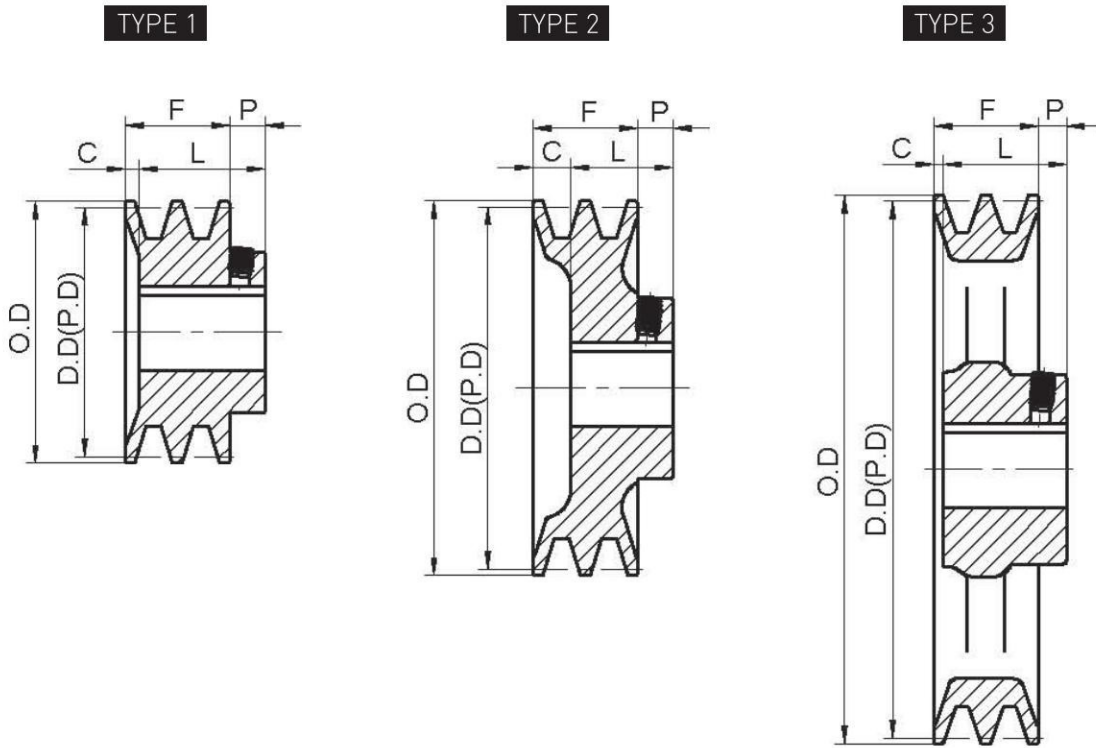
Stock Sizes—Finished Bore

PART NO.	Type	DIAMETERS			DIMENSIONS				STOCK BORES MARKED PRODUCT CODE											Wt. Lbs	
		Outside	Datum "A"	Pitch "3L"	F	L	P	C	1/2"	5/8"	3/4"	7/8"	15/16"	1"	1 1/8"	1 3/16"	1 1/4"	1 3/8"	1 7/16"		
▲BK19	1	2.05	1.4	1.8	13/16	1 3/32	7/16	5/32	—	023014	023010	—	—	—	—	—	—	—	—	—	0.5
▲BK20	1	2.15	1.5	1.9	13/16	1 3/32	7/16	5/32	047053	023020	023017	—	—	—	—	—	—	—	—	—	0.5
▲BK22	1	2.35	1.7	2.1	13/16	1 3/32	7/16	5/32	023026	023033	023030	023036	—	023028	—	—	—	—	—	—	0.6
▲BK23	1	2.45	1.8	2.2	13/16	1 3/32	7/16	5/32	023040	023048	023044	023052	—	023042	—	—	—	—	—	—	0.6
▲BK24	1	2.55	1.80	2.20	13/16	1 1/16	13/32	5/32	023060	023074	047056	023078	—	023065	—	—	—	—	—	—	0.7
▲BK25	1	2.65	1.90	2.30	13/16	1 1/16	13/32	5/32	023084	023108	023101	023115	—	023095	093116	—	—	—	—	—	0.7
▲BK26	1	2.75	2.00	2.40	13/16	1 1/16	13/32	5/32	023131	047060	023138	023148	—	—	—	—	—	—	—	—	0.8
▲BK27	2	2.85	2.10	2.50	13/16	1 1/16	13/32	5/32	023155	023171	047066	023178	—	077553	023158	—	—	—	—	—	0.8
▲BK28	2	2.95	2.20	2.60	13/16	1 1/16	13/32	5/32	023185	023210	023205	023218	—	023198	023192	—	—	—	—	—	0.8
▲BK30	2	3.15	2.40	2.80	13/16	1 1/16	13/32	5/32	046879	023254	046883	023263	—	046882	023235	—	—	—	—	—	0.9
▲BK31	2	3.25	2.50	2.90	13/16	1 3/32	7/16	5/32	046887	023273	023271	023275	—	023269	023268	—	—	—	—	—	1.1
▲BK32	2	3.35	2.60	3.00	13/16	1 1/16	13/32	5/32	023281	023302	023296	023309	—	046893	076169	—	—	—	—	—	1.1
BK34	2	3.55	2.80	3.20	7/8	1 5/32	13/32	1/8	023317	023348	023340	023357	—	023335	023327	—	—	—	—	—	1.3
BK36	2	3.75	3.00	3.40	7/8	1 5/32	13/32	1/8	046899	023387	023382	023392	—	023377	046901	—	—	—	—	—	1.4
BK40	2	3.95	3.20	3.60	7/8	1 5/32	13/32	1/8	023436	023462	023456	023469	—	023450	046913	—	—	—	—	—	1.6
BK45	2	4.25	3.50	3.90	7/8	1 5/32	13/32	1/8	023477	023503	023497	046922	—	023492	023484	—	—	—	—	—	1.9
BK47	2	4.45	3.70	4.10	7/8	1 5/32	13/32	1/8	023517	023542	023538	023548	—	023532	023525	—	—	—	—	—	2.1
BK50	3	4.75	4.00	4.40	7/8	1 5/32	13/32	1/8	023594	023624	023618	023632	023608	023612	023587	—	—	—	—	—	2
BK52	3	4.95	4.20	4.60	7/8	1 5/32	13/32	1/8	023641	023671	023665	023677	058910	023658	023636	023651	—	076420	—	—	2.2
BK55	3	5.25	4.50	4.90	7/8	1 5/32	13/32	1/8	023687	023716	023711	023722	058917	023706	046946	023700	—	—	—	—	2.3
BK57	3	5.45	4.70	5.10	7/8	1 5/32	13/32	1/8	023729	046955	023760	023774	023749	023752	023737	023744	072531	—	—	—	2.4
BK60	3	5.75	5.00	5.40	7/8	1 5/32	13/32	1/8	023782	023818	023813	023825	058933	023806	046958	023798	—	—	—	—	2.5
BK62	3	5.95	5.20	5.60	7/8	1 5/32	13/32	1/8	023844	023874	023868	023879	023855	023861	046964	023853	100334	—	—	—	2.6
BK65	3	6.25	5.50	5.90	7/8	1 5/32	13/32	1/8	—	023917	023911	076170	058948	023905	023893	058951	—	—	—	—	2.8
BK67	3	6.45	5.70	6.10	7/8	1 5/32	13/32	1/8	—	023954	023948	076063	058955	023942	023929	023935	—	046974	—	—	2.9
BK70	3	6.75	6.00	6.40	7/8	1 5/32★	13/32★	1/8★	084743	024040	024034	076554	024017	024026	024003	024007	—	—	—	024022	3.4
BK72	3	6.95	6.20	6.60	7/8	1 15/32	21/32	1/16	098783	024115	024110	078686	058971	024103	024082	058974	—	024092	058976	—	3.6
BK75	3	7.25	6.50	6.90	7/8	1 15/32	21/32	1/16	—	—	024153	—	—	024148	046777	024135	—	024140	058982	—	3.8
BK77	3	7.45	6.70	7.10	7/8	1 15/32	21/32	1/16	—	058983	024199	058985	058986	024192	024170	024176	—	046784	024186	—	4.3
BK80	3	7.75	7.00	7.40	7/8	1 15/32	21/32	1/16	—	024300	024294	024307	—	046786	024267	024273	024261	024278	024284	—	4.3
BK85	3	8.25	7.50	7.90	7/8	1 15/32	21/32	1/16	—	059001	024359	046794	059004	024352	024323	024329	—	024336	024347	—	4.9
BK90	3	8.75	8.00	8.40	7/8	1 15/32	21/32	1/16	—	046799	024414	024424	024394	024406	024377	024382	—	024388	024399	—	5.2
BK95	3	9.25	8.50	8.90	7/8	1 15/32	21/32	1/16	—	059019	024484	024495	059022	024476	024450	024456	—	046805	024470	—	5.3
BK100	3	9.75	9.00	9.40	7/8	1 15/32	21/32	1/16	—	—	022521	022528	022506	022516	022491	047005	022485	022500	047009	—	5.7
BK105	3	10.25	9.50	9.90	7/8	1 15/32	21/32	1/16	059209	059037	022575	022583	059040	022568	022540	022546	—	022551	022562	—	6.1
BK110	3	10.75	10.00	10.40	7/8	1 15/32	21/32	1/16	—	059046	047023	047024	059049	022647	022623	022629	—	022634	022642	—	7
BK115	3	11.25	10.50	10.90	7/8	1 15/32	21/32	1/16	—	059055	059056	059057	059058	022695	022668	022674	—	022680	022690	—	8.4
BK120	3	11.75	11.00	11.40	7/8	1 15/32	21/32	1/16	—	059064	022746	022751	059067	047031	022717	047029	022711	022727	022737	—	9.3
BK130	3	12.75	12.00	12.40	7/8	1 15/32	21/32	1/16	—	059074	022815	022822	059077	022809	022787	022793	047039	047041	022803	—	10
BK140	3	13.75	13.00	13.40	7/8	1 15/32	21/32	1/16	—	059084	022859	022865	059087	022853	022832	022838	059091	059092	022847	—	11
BK160	3	15.75	15.00	15.40	7/8	1 15/32	21/32	1/16	—	—	—	079101	—	022944	022923	047049	022917	059098	022938	—	13.5
BK190	3	18.75	18.00	18.40	7/8	1 15/32	21/32	1/16	—	—	079102	084744	—	022998	022980	022985	022975	059104	022993	—	18.1

▲ NOTE—DO NOT USE THESE "BK" SHEAVES WITH "B" GRIPNOTCH BELT RATINGS.

★ P=21/32" and C=1/16" for 1 7/16" Bore, L=1 15/32"

26162 BK/BKH



Standard Keyseats
Table No.1

Bore Range	Keyseat
1/2"	None
5/8" to 7/8"	3/16" x 3/32"
15/16" to 1 3/16"	1/4 x 1/8"
1 3/8"	5/16 x 5/32
1 7/16"	3/8 x 3/16

- ◆ HOLLOW HEAD SETSCREWS
- ◆ STATICALLY BALANCED

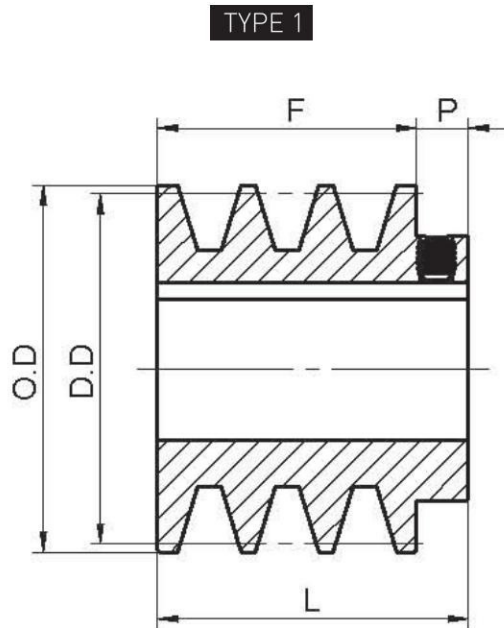
Two Groove Sheaves for "4L" or "A" Belts and "5L" or "B" Belts



Table No.2

Stock Sizes—Finished Bore

PART NO.	Type	DIAMETERS			DIMENSIONS				STOCK BORES MARKED PRODUCT CODE										Wt. Lbs		
		Outside	Datum "A"	Pitch "3L"	F	L	P	C	1/2"	5/8"	3/4"	7/8"	1"	1 1/8"	1 3/16"	1 1/4"	1 3/8"	1 7/16"		1 1/2"	
2BK23	1	2.45	1.70	2.20	1 3/4	2 1/32	15/32"	3/16	048598	009292	009290	009294	—	—	—	—	—	—	—	—	1.4
2BK25	1	2.65	1.90	2.30	1 3/4	1 31/32	15/32"	1/4"	009298	009312	009308	009316	075401	080869	—	—	—	—	—	—	1.6
2BK26	1	2.75	2.00	2.40	1 3/4	1 31/32	15/32"	1/4	—	009320	—	009322	—	—	—	—	—	—	—	—	1.6
2BK27	1	2.85	2.10	2.50	1 3/4	1 31/32	15/32"	1/4	009328	048603	009341	009350	009336	009331	—	—	—	—	—	—	1.8
2BK28	1	2.95	2.20	2.60	1 3/4	1 31/32	15/32"	1/4	009356	009376	009372	009383	009368	009363	—	—	081676	—	—	—	2
2BK30	1	3.15	2.40	2.80	1 3/4	1 31/32	15/32"	1/4	048612	009415	048616	009421	009406	048613	—	—	075131	—	—	—	2.1
2BK32	1	3.35	2.60	3.00	1 3/4	1 31/32	15/32"	1/4	058606	009449	009444	009454	009439	009430	—	—	078116	—	—	—	2.4
2BK34	1	3.55	2.80	3.20	1 3/4	1 31/32	15/32"	1/4	058612	009493	009487	009499	009481	009468	—	099294	048627	—	—	—	2.9
2BK36	1	3.75	3.00	3.40	1 3/4	1 31/32	15/32"	1/4	058619	009532	048392	009538	009522	009510	—	—	048391	—	—	—	3.2
2BK40	2	3.95	3.20	3.60	1 3/4	1 15/32	15/32"	3/4	058626	009579	009575	009585	009568	009552	—	084329	009560	—	—	—	3.2
2BK45	2	4.25	3.50	3.90	1 3/4	1 15/32	15/32"	3/4	084741	079097	058635	009620	048403	009599	048400	009593	009606	—	—	—	3.6
2BK47	2	4.45	3.70	4.10	1 3/4	1 15/32	15/32"	3/4	058642	058643	058644	009646	009638	009629	009630	009624	048408	—	—	—	3.9
2BK50	2	4.75	4.00	4.40	1 3/4	1 15/32	15/32"	3/4	058651	058652	048415	009690	009676	009656	009662	009651	009667	—	—	—	4.4
2BK52	2	4.95	4.20	4.60	1 3/4	1 15/32	15/32"	3/4	058660	081051	076632	009733	009724	009702	009709	009697	009716	—	—	—	4.8
2BK55	2	5.25	4.50	4.90	1 3/4	1 15/32	15/32"	3/4	058669	079995	079098	078118	076065	009743	048421	009738	009753	—	—	—	5.1
2BK57	2	5.45	4.70	5.10	1 3/4	1 15/32	15/32"	3/4	058678	058679	058680	058681	009795	009773	009779	009767	009787	—	—	—	5.6
2BK60	3	5.75	5.00	5.40	1 3/4	1 15/32	15/32"	3/4	059214	079099	009845	048424	009839	009815	009821	058692	009829	—	—	—	4.9
2BK62	3	5.95	5.20	5.60	1 3/4	1 15/32	15/32"	3/4	—	—	058694	085369	009883	009863	009868	058699	009872	—	—	—	5.1
2BK65	3	6.25	5.50	5.90	1 3/4	1 15/32	15/32"	3/4	—	—	058701	058702	009915	048431	009898	058706	009905	—	—	—	5.5
2BK67	3	6.45	5.70	6.10	1 3/4	1 15/32	15/32"	3/4	059215	—	058708	058709	009938	009924	048432	058713	048433	—	—	—	5.7
2BK70	3	6.75	6.00	6.40	1 3/4	1 19/32	11/32"	1/2	—	—	009975	009980	009970	009948	048436	048435	009958	009964	—	—	6.6
2BK80	3	7.75	7.00	7.40	1 3/4	1 19/32	11/32"	1/2	—	—	010019	010025	010012	009995	010001	009989	010006	010008	—	—	8.2
2BK90	3	8.75	8.00	8.40	1 3/4	1 19/32	11/32"	1/2	—	—	010068	010073	010061	010038	010044	010033	010050	010056	—	—	9.5
2BK100	3	9.75	9.00	9.40	1 3/4	1 19/32	11/32"	1/2	059213	—	009084	009089	009076	009058	009062	009053	009066	009070	—	—	10.2
2BK105	3	10.25	9.50	9.90	1 3/4	1 19/32	11/32"	1/2	—	—	—	—	076417	—	—	—	—	—	—	—	11.6
2BK110	3	10.75	10.00	10.40	1 3/4	1 19/32	11/32"	1/2	—	—	009117	009121	009112	009099	009104	009094	048570	009109	—	—	12
2BK120	3	11.75	11.00	11.40	1 3/4	1 19/32	11/32"	1/2	—	—	009163	009165	009159	009140	009146	009134	009149	009153	—	—	14.5
2BK130	3	12.75	12.00	12.40	1 3/4	1 19/32	11/32"	1/2	059272	084742	009190	048584	009186	009172	009176	048578	009179	009183	009167	—	15.9
2BK140	3	13.75	13.00	13.40	1 3/4	1 19/32	11/32"	1/2	—	084747	009224	048588	009221	009207	009211	009203	009213	009217	—	—	17.2
2BK160	3	15.75	15.00	15.40	1 3/4	1 19/32	11/32"	1/2	059273	—	009251	048593	009249	009235	048590	048589	048591	048592	—	—	20.1
2BK190	3	18.75	18.00	18.40	1 3/4	1 19/32	11/32"	1/2	—	—	009286	009288	009283	009265	009271	009261	009273	009278	009256	—	23.8



Standard Keyseats
 Table No.1

Bore Range	Keyseat
5/8" to 7/8"	3/16" x 3/32"
15/16" to 1 1/8"	1/4 x 1/8"

- ◆ HOLLOW HEAD SETSCREWS
- ◆ STATICALLY BALANCED

Three Groove Sheaves for "4L" or "A" Belts and "5L" or "B" Belts

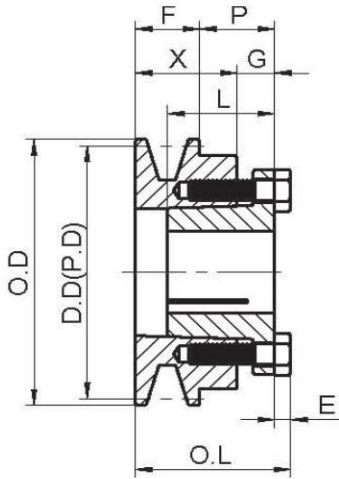


Table No.2

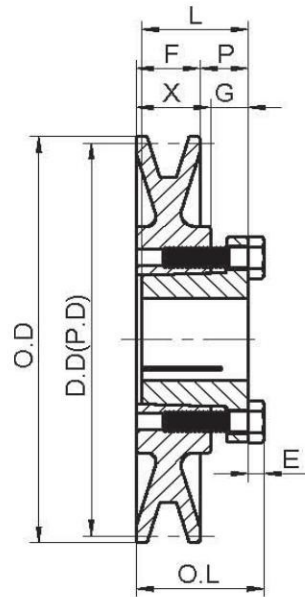
Stock Sizes—Finished Bore

PART NO.	Type	DIAMETERS			DIMENSIONS			STOCK BORES MARKED PRODUCT CODE						Wt. Lbs
		Outside	Datum "A"	Datum "B"	F	L	P	5/8"	7/8"	1"	1 1/8"	1 3/8"	1 5/8"	
3BK25	1	2.50	1.90	2.30	2 1/2	3.00	1/2	060012	081288	—	—	—	—	2.00
3BK27	1	2.70	2.10	2.50	2 1/2	3.00	1/2	081289	081290	081291	—	—	—	2.10
3BK28	1	2.95	2.20	2.60	2 1/2	3.00	1/2	081292	081293	081294	081295	—	—	2.50
3BK30	1	3.15	2.40	2.80	2 1/2	3.00	1/2	072593	081296	081297	081298	—	—	3.70
3BK32	1	3.35	2.60	3.00	2 1/2	3.00	1/2	—	081299	062770	062769	—	—	3.90
3BK34	1	3.55	2.80	3.20	2 1/2	3.00	1/2	—	074816	062773	062771	062772	062782	4.30
3BK36	1	3.75	3.00	3.40	2 1/2	3.00	1/2	—	062777	062776	062774	062775	062783	4.50
3BK40	1	3.95	3.20	3.60	2 1/2	3.00	1/2	072594	074818	062781	062778	062779	—	5.60
3BK45	1	4.25	3.50	3.90	2 1/2	3.00	1/2	—	—	062788	062787	—	—	6.90

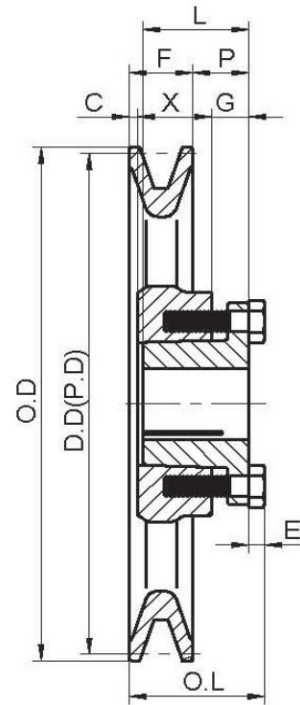
TYPE 1



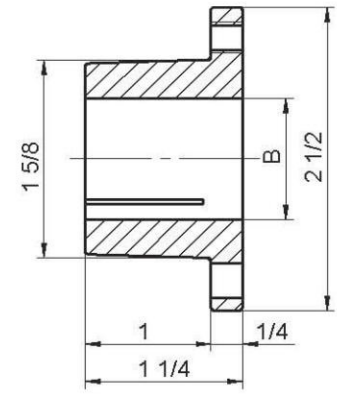
TYPE 2



TYPE 3



"H" Bushings



Single Groove Sheaves for "4L" or "A" Belts and "5L" or "B" Belts



Table No.1

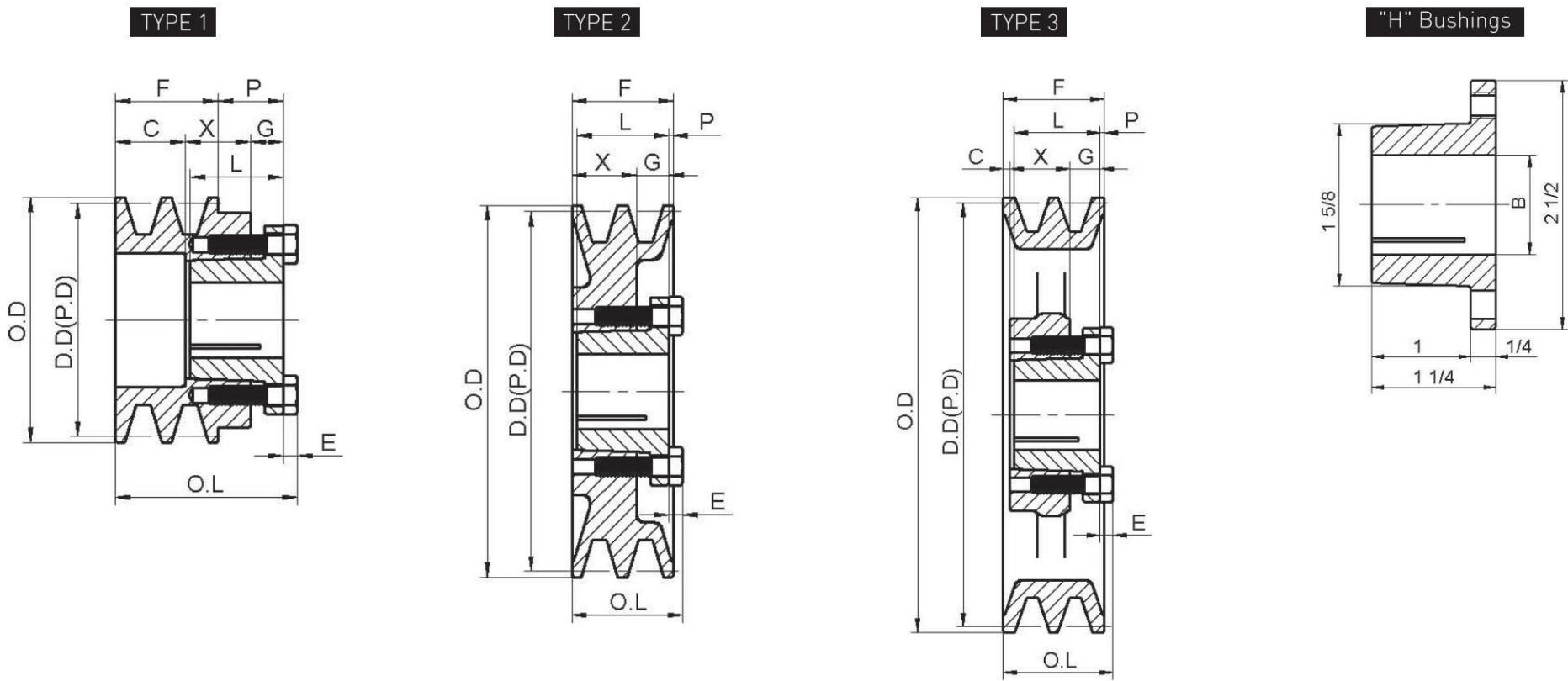
Stock Sizes—with split Taper Bushings

Part No.	Type	DIAMETERS			DIMENSIONS								Wt .Lbs less Bush.
		O.D.	Datum "A"	Pitch "3L"	O.L.	F	L	P	C	X	G	E	
BK30H	1	3.15	2.40	2.80	1 7/8	7/8	1 1/4	7/8	—	1 5/16	3/8	3/16	1.3
BK32H	1	3.35	2.60	3.00	1 7/8	7/8	1 1/4	7/8	—	1 5/16	3/8	3/16	1.4
BK34H	1	3.55	2.80	3.20	1 7/8	7/8	1 1/4	7/8	—	1 5/16	3/8	3/16	1.7
BK35H	2	3.65	2.90	3.30	1 7/16	7/8	1 1/4	3/8	—	7/8	3/8	3/16	1.2
BK36H	2	3.75	3.00	3.40	1 7/16	7/8	1 1/4	3/8	—	7/8	3/8	3/16	1.3
BK40H	2	3.95	3.20	3.60	1 7/16	7/8	1 1/4	3/8	—	7/8	3/8	3/16	1.3
BK45H	2	4.25	3.50	3.90	1 7/16	7/8	1 1/4	3/8	—	7/8	3/8	3/16	1.7
BK47H	2	4.45	3.70	4.10	1 7/16	7/8	1 1/4	3/8	—	7/8	3/8	3/16	1.9
BK50H	2	4.75	4.00	4.40	1 7/16	7/8	1 1/4	3/8	—	7/8	3/8	3/16	2.0
BK52H	2	4.95	4.20	4.60	1 7/16	7/8	1 1/4	3/8	—	7/8	3/8	3/16	2.3
BK55H	2	5.25	4.50	4.90	1 7/16	7/8	1 1/4	3/8	—	7/8	3/8	3/16	2.6
BK57H	2	5.45	4.70	5.10	1 7/16	7/8	1 1/4	3/8	—	7/8	3/8	3/16	2.9
BK60H	2	5.75	5.00	5.40	1 7/16	7/8	1 1/4	3/8	—	7/8	3/8	3/16	3.3
BK62H	2	5.95	5.20	5.60	1 7/16	7/8	1 1/4	3/8	—	7/8	3/8	3/16	3.5
BK65H	2	6.25	5.50	5.90	1 7/16	7/8	1 1/4	3/8	—	7/8	3/8	3/16	4.0
BK67H	2	6.45	5.70	6.10	1 7/16	7/8	1 1/4	3/8	—	7/8	3/8	3/16	4.2
BK70H	3	6.75	6.00	6.40	1 1/2	7/8	1 1/4	7/16	1/16	7/8	3/8	3/16	2.9
BK72H	3	6.95	6.20	6.60	1 1/2	7/8	1 1/4	7/16	1/16	7/8	3/8	3/16	3.0
BK75H	3	7.25	6.50	6.90	1 1/2	7/8	1 1/4	7/16	1/16	7/8	3/8	3/16	3.1
BK77H	3	7.45	6.70	7.10	1 1/2	7/8	1 1/4	7/16	1/16	7/8	3/8	3/16	3.2
BK80H	3	7.75	7.00	7.40	1 1/2	7/8	1 1/4	7/16	1/16	7/8	3/8	3/16	3.5
BK85H	3	8.25	7.50	7.90	1 1/2	7/8	1 1/4	7/16	1/16	7/8	3/8	3/16	4.7
BK90H	3	8.75	8.00	8.40	1 1/2	7/8	1 1/4	7/16	1/16	7/8	3/8	3/16	5.0
BK95H	3	9.25	8.50	8.90	1 1/2	7/8	1 1/4	7/16	1/16	7/8	3/8	3/16	5.1
BK100H	3	9.75	9.00	9.40	1 1/2	7/8	1 1/4	7/16	1/16	7/8	3/8	3/16	5.8
BK105H	3	10.25	9.50	9.90	1 1/2	7/8	1 1/4	7/16	1/16	7/8	3/8	3/16	6.2
BK110H	3	10.75	10.00	10.40	1 1/2	7/8	1 1/4	7/16	1/16	7/8	3/8	3/16	6.3
BK115H	3	11.25	10.50	10.90	1 1/2	7/8	1 1/4	7/16	1/16	7/8	3/8	3/16	6.7
BK120H	3	11.75	11.00	11.40	1 1/2	7/8	1 1/4	7/16	1/16	7/8	3/8	3/16	8.3
BK130H	3	12.75	12.00	12.40	1 1/2	7/8	1 1/4	7/16	1/16	7/8	3/8	3/16	10.4
BK140H	3	13.75	13.00	13.40	1 1/2	7/8	1 1/4	7/16	1/16	7/8	3/8	3/16	11.5
BK150H	3	14.75	14.00	14.40	1 1/2	7/8	1 1/4	7/16	1/16	7/8	3/8	3/16	12.2
BK160H	3	15.75	15.00	15.40	1 1/2	7/8	1 1/4	7/16	1/16	7/8	3/8	3/16	14.8
BK190H	3	18.75	18.00	18.40	1 1/2	7/8	1 1/4	7/16	1/16	7/8	3/8	3/16	18.0

2BKH

BK/BKH series
 ●BKH
 ●2BKH

Cast Iron Sheaves



Two Groove Sheaves for "4L" or "A" Belts and "5L" or "B" Belts

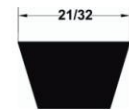


Table No.1

Stock Sizes—with split Taper Bushings

Part No.	Type	DIAMETERS			DIMENSIONS									Wt .Lbs less Bush.
		O.D.	Datum "A"	Datum "B"	O.L.	F	L	P	C	X	G	E		
2BK30H	1	3.15	2.40	2.80	2 3/4	1 3/4	1 1/4	13/16	1 5/16	7/8	3/8	3/16	1.87	
2BK32H	1	3.35	2.60	3.00	2 3/4	1 3/4	1 1/4	13/16	1 5/16	7/8	3/8	3/16	2.20	
2BK34H	1	3.55	2.80	3.20	2 3/4	1 3/4	1 1/4	13/16	1 5/16	7/8	3/8	3/16	2.60	
2BK36H	1	3.75	3.00	3.40	2 5/16	1 3/4	1 1/4	3/8	7/8	7/8	3/8	3/16	2.43	
2BK40H	1	3.95	3.20	3.60	2 5/16	1 3/4	1 1/4	3/8	7/8	7/8	3/8	3/16	2.76	
2BK45H	1	4.25	3.50	3.90	2 5/16	1 3/4	1 1/4	3/8	7/8	7/8	3/8	3/16	3.31	
2BK47H	2	4.45	3.70	4.10	1 3/4	1 3/4	1 1/4	1/2	—	7/8	3/8	3/16	3.20	
2BK50H	2	4.75	4.00	4.40	1 3/4	1 3/4	1 1/4	1/2	—	7/8	3/8	3/16	3.64	
2BK52H	2	4.95	4.20	4.60	1 3/4	1 3/4	1 1/4	1/2	—	7/8	3/8	3/16	3.97	
2BK55H	2	5.25	4.50	4.90	1 3/4	1 3/4	1 1/4	1/2	—	7/8	3/8	3/16	4.30	
2BK57H	2	5.45	4.70	5.10	1 3/4	1 3/4	1 1/4	1/2	—	7/8	3/8	3/16	4.41	
2BK60H	2	5.75	5.00	5.40	1 3/4	1 3/4	1 1/4	1/2	—	7/8	3/8	3/16	4.96	
2BK62H	2	5.95	5.20	5.60	1 3/4	1 3/4	1 1/4	1/2	—	7/8	3/8	3/16	5.29	
2BK65H	3	6.25	5.50	5.90	1 3/4	1 3/4	1 1/4	1/4	1/4	7/8	3/8	3/16	5.25	
2BK67H	3	6.45	5.70	6.10	1 3/4	1 3/4	1 1/4	1/4	1/4	7/8	3/8	3/16	5.53	
2BK70H	3	6.75	6.00	6.40	1 3/4	1 3/4	1 1/4	1/4	1/4	7/8	3/8	3/16	5.73	
2BK72H	3	6.95	6.20	6.60	1 3/4	1 3/4	1 1/4	1/4	1/4	7/8	3/8	3/16	6.17	
2BK74H	3	7.15	6.40	6.80	1 3/4	1 3/4	1 1/4	1/4	1/4	7/8	3/8	3/16	6.35	
2BK80H	3	7.75	7.00	7.40	1 3/4	1 3/4	1 1/4	1/4	1/4	7/8	3/8	3/16	6.50	
2BK85H	3	8.25	7.50	7.90	1 3/4	1 3/4	1 1/4	1/4	1/4	7/8	3/8	3/16	8.60	
2BK90H	3	8.75	8.00	8.40	1 3/4	1 3/4	1 1/4	1/4	1/4	7/8	3/8	3/16	9.22	
2BK100H	3	9.75	9.00	9.40	1 3/4	1 3/4	1 1/4	1/4	1/4	7/8	3/8	3/16	9.92	
2BK110H	3	10.75	10.00	10.40	1 3/4	1 3/4	1 1/4	1/4	1/4	7/8	3/8	3/16	11.02	
2BK120H	3	11.75	11.00	11.40	1 3/4	1 3/4	1 1/4	1/4	1/4	7/8	3/8	3/16	14.11	
2BK130H	3	12.75	12.00	12.40	1 3/4	1 3/4	1 1/4	1/4	1/4	7/8	3/8	3/16	16.31	
2BK140H	3	13.75	13.00	13.40	1 3/4	1 3/4	1 1/4	1/4	1/4	7/8	3/8	3/16	16.53	
2BK150H	3	14.75	14.00	14.40	1 3/4	1 3/4	1 1/4	1/4	1/4	7/8	3/8	3/16	18.74	
2BK160H	3	15.75	15.00	15.40	1 3/4	1 3/4	1 1/4	1/4	1/4	7/8	3/8	3/16	20.94	
2BK190H	3	18.75	18.00	18.40	1 3/4	1 3/4	1 1/4	1/4	1/4	7/8	3/8	3/16	25.79	

BK/BKH
series

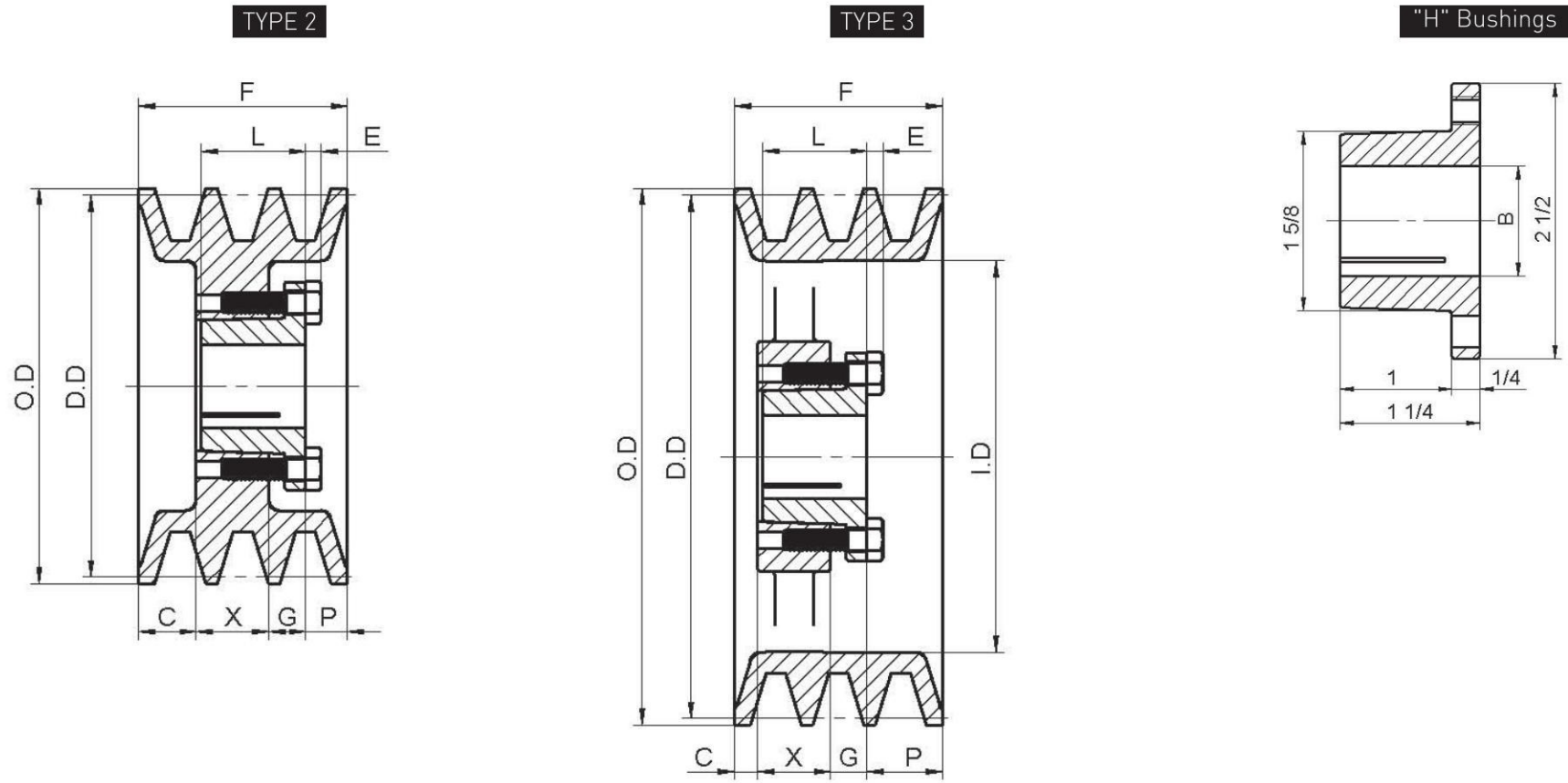
3BKH

BKH for "4L/5L" or "A/B" Belts(P.8~P.10)

Cast Iron Sheaves



BK/BKH series



Three Groove Sheaves for "4L" or "A" Belts and "5L" or "B" Belts



Table No.1

Stock Sizes—with split Taper Bushings

Part No.	Type	DIAMETERS				DIMENSIONS							Wt .Lbs less Bush.
		Outside	Datum "A"	Datum "B"	Inside	F	L	P	C	X	G	E	
3BK45H	2	4.25	3.50	3.90	2 5/8	2 1/2	1 1/4	9/16	11/16	7/8	3/8	3/16	3.64
3BK47H	2	4.45	3.70	4.10	2 17/26	2 1/2	1 1/4	9/16	11/16	7/8	3/8	3/16	4.30
3BK50H	2	4.75	4.00	4.40	3	2 1/2	1 1/4	9/16	11/16	7/8	3/8	3/16	4.85
3BK52H	2	4.95	4.20	4.60	3 1/16	2 1/2	1 1/4	9/16	11/16	7/8	3/8	3/16	5.25
3BK55H	2	5.25	4.50	4.90	3 1/2	2 1/2	1 1/4	9/16	11/16	7/8	3/8	3/16	5.95
3BK57H	2	5.45	4.70	5.10	3 11/16	2 1/2	1 1/4	9/16	11/16	7/8	3/8	3/16	6.39
3BK60H	3	5.75	5.00	5.40	4	2 1/2	1 1/4	9/16	11/16	7/8	3/8	3/16	6.39
3BK62H	3	5.95	5.20	5.60	4 3/16	2 1/2	1 1/4	9/16	11/16	7/8	3/8	3/16	6.17
3BK65H	3	6.25	5.50	5.90	4 1/2	2 1/2	1 1/4	31/32	9/32	7/8	3/8	3/16	6.83
3BK67H	3	6.45	5.70	6.10	4 11/16	2 1/2	1 1/4	31/32	9/32	7/8	3/8	3/16	7.50
3BK70H	3	6.75	6.00	6.40	5	2 1/2	1 1/4	31/32	9/32	7/8	3/8	3/16	8.27
3BK80H	3	7.75	7.00	7.40	6	2 1/2	1 1/4	29/32	11/32	7/8	3/8	3/16	9.04
3BK90H	3	8.75	8.00	8.40	7	2 1/2	1 1/4	29/32	11/32	7/8	3/8	3/16	10.58
3BK100H	3	9.75	9.00	9.40	8	2 1/2	1 1/4	29/32	11/32	7/8	3/8	3/16	12.13
3BK110H	3	10.75	10.00	10.40	9	2 1/2	1 1/4	29/32	11/32	7/8	3/8	3/16	14.66
3BK120H	3	11.75	11.00	11.40	10	2 1/2	1 1/4	29/32	11/32	7/8	3/8	3/16	16.31
3BK130H	3	12.75	12.00	12.40	11	2 1/2	1 1/4	27/32	13/32	7/8	3/8	3/16	17.53
3BK140H	3	13.75	13.00	13.40	12	2 1/2	1 1/4	27/32	13/32	7/8	3/8	3/16	20.00
3BK160H	3	15.75	15.00	15.40	14	2 1/2	1 1/4	27/32	13/32	7/8	3/8	3/16	28.44
3BK190H	3	18.75	18.00	18.40	17	2 1/2	1 1/4	27/32	13/32	7/8	3/8	3/16	35.00