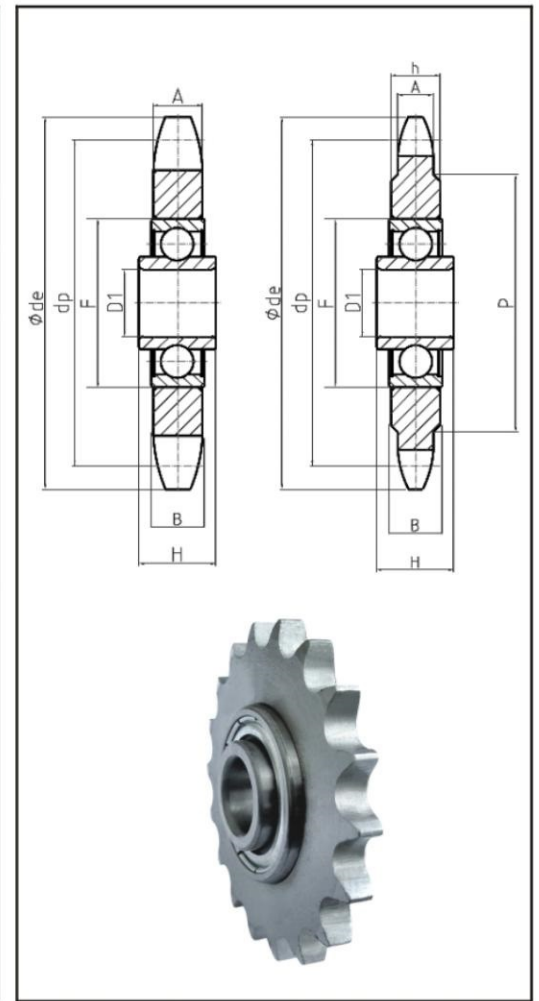


Idler Sprockets With Ball Bearing



Idler Sprockets
Ball Bearing

Z	Pitch	d_e	d_p	A	D_1	F	B	H	h
23	8 X 3	62.15	58.75	2.8	16	40	12	18.3	7
21	3/8" X 7/32"	68.0	63.90	5.3	16	40	12	18.3	7
18	1/2" X 1/8"	78.9	73.14	3	16	40	12	18.3	7
18	1/2" X 3/16"	78.9	73.13	4.5	16	40	12	18.3	7
16	1/2" X 5/16"	69.5	65.10	7.2	16	40	12	18.3	7.2
18	1/2" X 5/16"	77.8	73.14	7.2	16	40	12	18.3	7.2
14	5/8" X 3/8"	78.0	71.34	9.1	16	40	12	18.3	9.1
15	5/8" X 3/8"	83.0	76.36	9.1	16	40	12	18.3	9.1
17	5/8" X 3/8"	93.0	86.39	9.1	16	40	12	18.3	9.1
13	3/4" X 7/16"	87.5	79.59	11.1	16	40	12	18.3	11.1
15	3/4" X 7/16"	99.8	91.63	11.1	16	40	12	18.3	11.1
12	1" X 17.02	109.0	98.14	16.2	20	47	14	17.7	16.2
13	1" 1/4 X 3/4"	147.8	132.65	18.5	25	52	15	21.0	18.5



DISASSEMBLING HUBS FOR PLATEWHEELS

Nr.	d_e	d_i	d_M^{h9}	A	D_f	B_1	H_1
30	55	45	30	20.0	4.2	4	3.0
40	70	58	40	25.0	5.2	5	5.2
50	80	67	50	32.0	6.2	7	7.0
60	90	76	60	38.5	6.2	7	8.7
70	110	94	70	45.5	8.2	8	10.5
80	130	107	80	55.0	8.2	12	15.0
100	170	140	100	73.0	10.2	17	23.0
140	220	182	140	83.0	12.2	20	23.0
160	245	205	160	93.0	16.5	25	25.0

