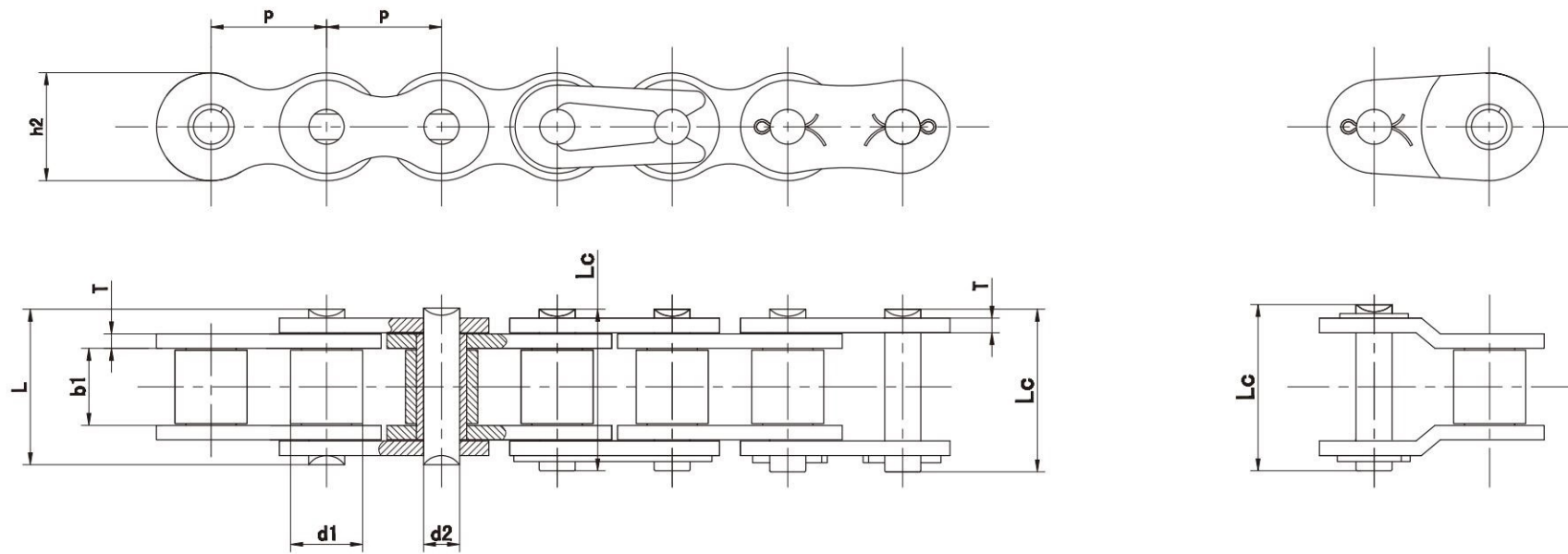


9 SH系列高强度滚子链

SH series high strength roller chains

SH系列滚子链通过销轴整体淬硬其极限拉伸载荷比A系列标准滚子链增加约25%–35%并能提供较高的抗震动负载，参数尺寸与加重系列滚子链相同。

SH series roller chains have a greater ultimate tensile strength (about an additional 25%–35%) over ANSI standard roller chains by using through hardened pins, these chains also provide a greater shock load resistance, The dimensions the chain are identical to ANSI heavy series standard roller chain.



| Chain No. | 节距 Pitch | 滚子直径 Roller Diameter | 内节内宽 Width between Inner Plates | 销轴直径 Pin Diameter | 销轴长度 Pin Length | | 内链板高度 Inner Plate Depth | 链板厚度 Plate Thickness | 极限拉伸载荷 Ultimate Tensile Strength | 平均拉伸载荷 Average Tensile Strength | 每米重量 Weight Per Meter |
|-----------|-------------|-------------------------|------------------------------------|----------------------|--------------------|--------|----------------------------|-------------------------|-------------------------------------|------------------------------------|--------------------------|
| | p | d1 max | b1 min | d2 max | L max | Lc max | h2 max | T max | Q min | Q0 | q |
| | mm | mm | mm | mm | mm | mm | mm | mm | kN/LB | kN | kg/m |
| *25SH | 6.350 | 3.30 | 3.18 | 2.31 | 9.0 | - | 6.00 | 1.04 | 5.09/1157 | 5.6 | 0.11 |
| *35SH | 9.525 | 5.08 | 4.77 | 3.58 | 13.3 | 14.3 | 9.00 | 1.50 | 11.0/2500 | 13.6 | 0.41 |
| 40SH | 12.700 | 7.95 | 7.85 | 3.96 | 18.8 | 19.9 | 12.00 | 2.03 | 22.4/5091 | 24.8 | 0.82 |
| 50SH | 15.875 | 10.16 | 9.40 | 5.08 | 22.1 | 23.4 | 15.09 | 2.42 | 30.4/6909 | 36.2 | 1.25 |
| 60SH | 19.050 | 11.91 | 12.57 | 5.94 | 29.2 | 31.6 | 18.00 | 3.25 | 44.1/10023 | 50.4 | 1.87 |
| 80SH | 25.400 | 15.88 | 15.75 | 7.92 | 36.2 | 37.7 | 24.00 | 4.00 | 88.2/20045 | 93.0 | 3.10 |
| 100SH | 31.750 | 19.05 | 18.90 | 9.53 | 43.6 | 46.9 | 30.00 | 4.80 | 116.6/26500 | 129.1 | 4.52 |
| 120SH | 38.100 | 22.23 | 25.22 | 11.10 | 53.5 | 57.5 | 35.70 | 5.60 | 158.2/35954 | 175.3 | 6.60 |
| 140SH | 44.450 | 25.40 | 25.22 | 12.70 | 57.6 | 62.2 | 41.00 | 6.40 | 206.0/46818 | 266.5 | 8.30 |
| 160SH | 50.800 | 28.58 | 31.55 | 14.27 | 68.2 | 73.0 | 47.80 | 7.20 | 274.0/62273 | 293.0 | 10.30 |

*套筒链：表中滚子直径d1为套筒直径

*Bushing chain:d1 in the table indicate the external diameter of the bushing