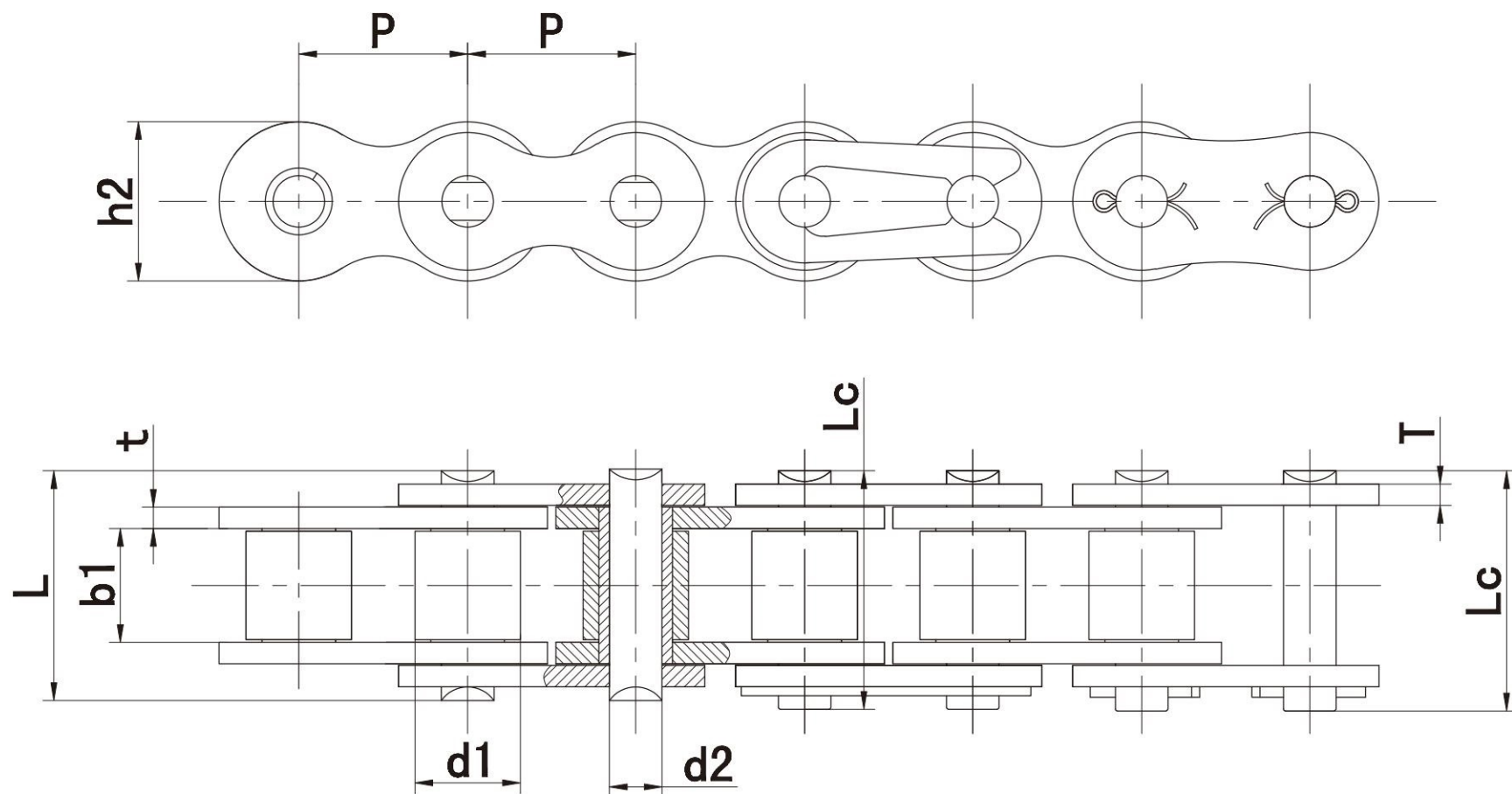


8 B系列加重型滚子链

Heavy duty series roller chains(B series)



Chain No.	节距 Pitch p	滚子直径 Roller Diameter d ₁ max	内节内宽 Width between Inner Plates b ₁ min	销轴直径 Pin Diameter d ₂ max	销轴长度 Pin Length L max	销轴长度 Pin Length L _c max	内链板高度 Inner Plate Depth h ₂ max	链板厚度 Plate Thickness t/T max	极限拉伸载荷 Ultimate Tensile Strength Q min	每米重量 Weight Per Meter q
	mm	mm	mm	mm	mm	mm	mm	mm	kN/LB	kg/m
04BH	6.000	4.00	2.80	1.85	8.4	9.4	5.0	0.9	5.0/1136	0.14
*06BH	9.525	6.35	5.72	3.58	14.4	15.4	8.2	1.6	11.25/2557	0.51
08BH	12.700	8.51	7.85	4.45	18.8	19.9	11.8	2.03	20.6/4682	0.79
10BH	15.875	10.16	9.65	5.08	20.2	21.6	14.7	1.85	25.0/5681	1.03
12BH	19.050	12.07	11.68	5.94	25.2	26.8	16.0	2.42	40.0/9091	1.45
16BH	25.400	15.88	17.02	8.90	35.7	38.9	24.1	4.0/3.1	80.0/18182	3.11
24BH	38.100	25.40	25.40	14.63	58.6	63.4	36.2	7.5/6.0	225.0/51136	9.00