

Table No.1 Specifications—Finished Bore Sheaves

Type	DIAMETERS		Dimensions				Stock Bores Marked Product Code					Wt. Less Bush.
	O.D	P.D	F	L	P	H	1/2"	5/8"	3/4"	7/8"	1"	
6 GROOVES												
2	1.50"	1.50"	23/32"	1 3/16"	15/32"	1 1/2	082059	082060	-	-	-	0.5
2	1.50	1.50	23/32	1 3/16	15/32	1 11/16	-	-	-	082061	-	0.5
1	1.60	1.60	23/32	1 3/16	15/32	1 9/16	082062	082063	-	-	-	0.6
2	1.60	1.60	23/32	1 3/16	15/32	1 11/16	-	-	-	082064	-	0.5
2	1.60	1.60	23/32	1 3/16	15/32	1 7/8	-	-	-	-	082065	0.5
1	1.70	1.70	23/32	1 3/16	15/32	1 11/16	082066	082067	-	082068	-	0.6
2	1.70	1.70	23/32	1 3/16	15/32	1 7/8	-	-	-	-	082069	0.6
1	1.80	1.80	23/32	1 3/16	15/32	1 11/16	082070	082071	082072	082073	-	0.7
2	1.80	1.80	23/32	1 3/16	15/32	1 7/8	-	-	-	-	082074	0.6
1	1.90	1.90	23/32	1 3/16	15/32	1 7/8	082075	082076	082077	082078	-	0.9

Poly-V-sheaves

**Bore Range
Table NO.1**

Bushing	Bore Range
G	3/8" - 1"
H	3/8 - 1 1/2
P1	1/2 - 1 3/4
Q1	3/4 - 2 11/16

**Standard Keyseats
Table NO.2**

Bore Range	Keyseat	Bore Range	Keyseat
3/8 or 7/16	none	1 5/16 or 1 3/8	5/16 x 5/32
1/2 or 9/16	1/8 x 1/16	1 7/16 - 1 3/4	3/8 x 3/16
5/8 - 7/8	3/16 x 3/32	1 13/16 - 2 1/4	1/2 x 1/4
15/16 - 1 1/4	1/4 x 1/8	2 5/16 - 2 11/16	5/8 x 5/16

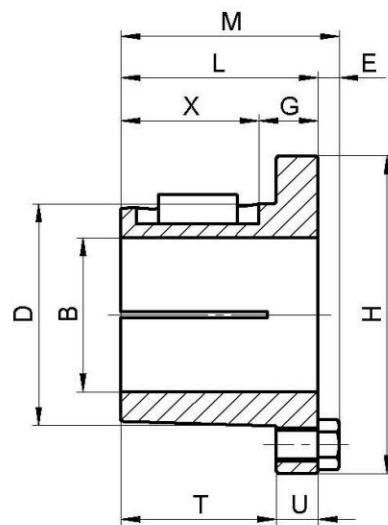
1 3/8" bore bushings also available with 3/8"x3/16" Keyseat.

Table No.3 Specifications—Stock "J" Sheaves

Part No.	Bushing	Type	DIAMETERS			Dimensions									Wt. Less Bush.
			O.D	P.D	I.D	O.L	F	L	P	C	H	G	X	E	
6 GROOVES															
6J20G	G	3	2.00	2.00"	-	1 7/8"	1 1/4"	1"	7/16"	11/16"	2"	-	-	3/16"	0.8
6J21G	G	4	2.12	2.12	-	1 3/8	3/4	1	7/16	3/16	2	-	-	3/16	0.7
6J22G	G	4	2.24	2.24	-	1 3/8	3/4	1	7/16	3/16	2	-	-	3/16	0.8
6J23G	G	4	2.36	2.36	-	1 3/8	3/4	1	7/16	3/16	2	-	-	3/16	0.9
6J25G	G	6	2.50	2.50	2 1/16"	1 1/4	3/4	1	5/16	1/16	2	7/16"	5/8"	3/16	0.7
6J26G	G	6	2.65	2.65	2 1/8	1 1/4	3/4	1	5/16	1/16	2	7/16	5/8	3/16	0.8
6J28G	G	6	2.80	2.80	2 1/4	1 1/4	3/4	1	5/16	1/16	2	7/16	5/8	3/16	0.9
6J30H	H	5	3.00	3.00	-	1 1/2	3/4	1 1/4	9/16	1/16	2 1/2	7/16	7/8	3/16	1.2
6J31H	H	5	3.15	3.15	-	1 1/2	3/4	1 1/4	9/16	1/16	2 1/2	7/16	7/8	3/16	1.9
6J33H	H	5	3.35	3.35	-	1 1/2	3/4	1 1/4	9/16	1/16	2 1/2	7/16	7/8	3/16	2.1
6J45P1	P1	7	4.50	4.50	-	2 3/16	3/4	1 15/16	1 3/16	-	3	5/8	1 5/16	1/4	3.1
6J60P1	P1	10-Sol.	6.00	6.00	5 1/4	2 3/16	3/4	1 15/16	2 9/32	9/32	3	5/8	1 5/16	1/4	4.7
6J80P1	P1	10-Sol.	8.00	8.00	7	2 3/16	3/4	1 15/16	2 9/32	9/32	3	5/8	1 5/16	1/4	6.6
6J106P1	P1	11-Arm	10.60	10.60	9 7/16	2 3/16	3/4	1 15/16	2 9/32	9/32	3	5/8	1 5/16	1/4	9.3
6J140Q1	Q1	11-Arm	14.00	14.00	12 3/16	2 25/32	3/4	2 1/2	1 1/4	1/2	4 1/8	3/4	1 3/4	9/32	13.6
6J190Q1	Q1	11-Arm	19.00	19.00	18 1/4	2 25/32	3/4	2 1/2	1 1/4	1/2	4 1/8	3/4	1 3/4	9/32	19.8
10 GROOVES															
10J20G	G	3	2.00"	2.00"	-	2 1/4"	1 5/8"	1"	7/16"	1 1/16"	2"	-	-	3/16"	1.0
10J21G	G	4	2.12	2.12	-	1 3/4	1 1/8	1	7/16	9/16	2	-	-	3/16	0.8
10J22G	G	4	2.24	2.24	-	1 3/4	1 1/8	1	7/16	9/16	2	-	-	3/16	0.9
10J23G	G	4	2.36	2.36	-	1 3/4	1 1/8	1	7/16	9/16	2	-	-	3/16	1.0
10J25G	G	6	2.50	2.50	2 1/16"	1 5/16	1 1/8	1	0	1/8	2	7/16"	11/16"	3/16	0.9
10J26G	G	6	2.65	2.65	2 1/8	1 5/16	1 1/8	1	0	1/8	2	7/16	11/16	3/16	1.1
10J28G	G	6	2.80	2.80	2 1/4	1 5/16	1 1/8	1	0	1/8	2	7/16	11/16	3/16	1.3
10J30H	H	6	3.00	3.00	2 9/16	1 1/2	1 1/8	1 1/4	3/16	1/16	2 1/2	7/16	7/8	3/16	1.5
10J31H	H	6	3.15	3.15	2 5/8	1 1/2	1 1/8	1 1/4	3/16	1/16	2 1/2	7/16	7/8	3/16	1.6
10J33P1	P1	7	3.35	3.35	-	2 3/16	1 1/8	1 15/16	13/16	-	3	5/8	1 5/16	1/4	1.9
10J45P1	P1	7	4.50	4.50	-	2 3/16	1 1/8	1 15/16	13/16	-	3	5/8	1 5/16	1/4	4.0
10J60P1	P1	10-Sol.	6.00	6.00	5 1/4	2 3/16	1 1/8	1 15/16	23/32	3/32	3	5/8	1 5/16	1/4	5.4
10J80P1	P1	10-Sol.	8.00	8.00	7	2 3/16	1 1/8	1 15/16	23/32	3/32	3	5/8	1 5/16	1/4	11.8
10J106Q1	Q1	11-Arm	10.60	10.60	9 7/16	2 25/32	1 1/8	2 1/2	1 1/16	5/16	4 1/8	3/4	1 3/4	9/32	13.1
10J140Q1	Q1	11-Arm	14.00	14.00	12 3/16	2 25/32	1 1/8	2 1/2	1 1/16	5/16	4 1/8	3/4	1 3/4	9/32	16.8
10J190Q1	Q1	11-Arm	19.00	19.00	18 1/4	2 25/32	1 1/8	2 1/2	1 1/16	5/16	4 1/8	3/4	1 3/4	9/32	22.0
16 GROOVES															
16J25G	G	6	2.50"	2.50"	2 1/16"	1 27/32"	1 21/32"	1"	0	21/32	2"	7/16"	1 7/32"	3/16"	1.5
16J26G	G	6	2.65	2.65	2 1/8	1 27/32	1 21/32	1	0	21/32	2	7/16	1 7/32	3/16	1.8
16J28G	G	6	2.80	2.80	2 1/4	1 27/32	1 21/32	1	0	21/32	2	7/16	1 7/32	3/16	2.0
16J30H	H	6	3.00	3.00	2 9/16	1 27/32	1 21/32	1 1/4	0	13/32	2 1/2	7/16	1 7/32	3/16	2.0
16J31H	H	6	3.15	3.15	2 5/8	1 27/32	1 21/32	1 1/4	0	13/32	2 1/2	7/16	1 7/32	3/16	2.3
16J33P1	P1	8	3.35	3.35	2 13/16	2 17/32	1 21/32	1 15/16	5/8"	11/32	3	-	1 5/16	1/4	2.5
16J45P1	P1	9	4.50	4.50	3 3/4	2 3/16	1 21/32	1 15/16	9/32	0	3	5/8	1 5/16	1/4	5.2
16J60P1	P1	12-Sol.	6.00	6.00	5 1/4	2 23/64	1 21/32	1 15/16	29/64	11/64	3	5/8	1 5/16	1/4	6.7
16J80Q1	Q1	11-Arm	8.00	8.00	7	2 25/32	1 21/32	2 1/2	51/64	3/64	4 1/8	3/4	1 3/4	9/32	13.5
16J106Q1	Q1	11-Arm	10.60	10.60	9 7/16	2 25/32	1 21/32	2 1/2	51/64	3/64	4 1/8	3/4	1 3/4	9/32	15.4
16J140Q1	Q1	11-Arm	14.00	14.00	12 3/16	2 25/32	1 21/32	2 1/2	51/64	3/64	4 1/8	3/4	1 3/4	9/32	18.7
16J190Q1	Q1	11-Arm	19.00	19.00	18 1/4	2 25/32	1 21/32	2 1/2	51/64	3/64	4 1/8	3/4	1 3/4	9/32	27.4

Poly-V-Sheaves

◆ Accurately Machined
◆ Balanced



Standard Keyseats
Table NO.1

Bore Range	Keyseat
1/2" - 9/16"	1/8" x 1/16"
5/8 - 7/8	3/16 x 3/32
15/16 - 1 1/4	1/4 x 1/8
1 5/16 - 1 3/8	5/16 x 5/32
1 7/16 - 1 3/4	3/8 x 3/16
1 13/16 - 2 1/4	1/2 x 1/4
2 5/16 - 2 3/4	5/8 x 5/16
2 13/16 - 3 1/4	3/4 x 3/8
3 3/8 - 3 3/4	7/8 x 7/16

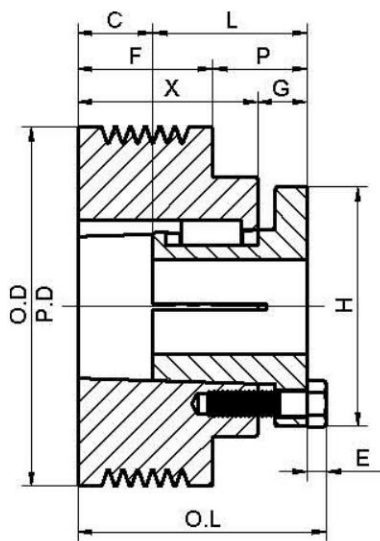
1 3/8" Bore Bushings also available with 3/8"x3/16" Keyseat.

Table No.2

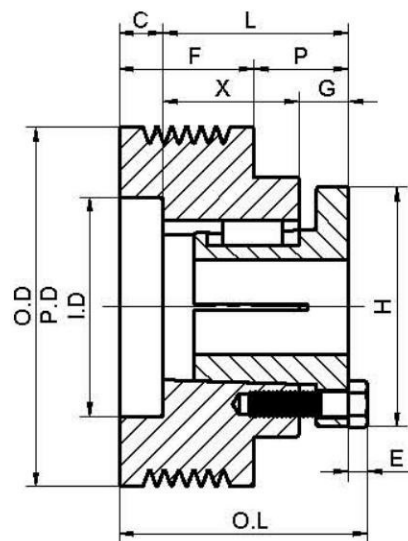
Bushing Dimensions

Part No.	Dimensions									Bore Range	Wt.Lbs
	M	L	G	X	E	T	U	D	H		
P1	2 3/16	1 15/16	5/8	1 5/16	1/4	1 17/32	13/32	1 15/16	3	1/2" - 1 3/4"	1.25
P2	3 3/16	2 15/16	5/8	2 5/16	1/4	2 17/32	13/32	1 15/16	3	3/4 - 1 3/4	4.50
Q1	2 25/32	2 1/2	3/4	1 3/4	9/32	1 31/32	17/32	2 7/8	4 1/8	3/4 - 2 11/16	3.5

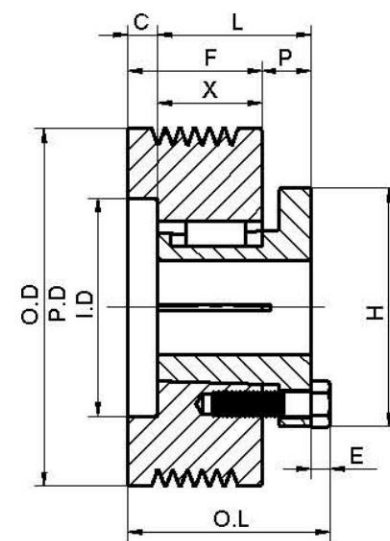
TYPE 2



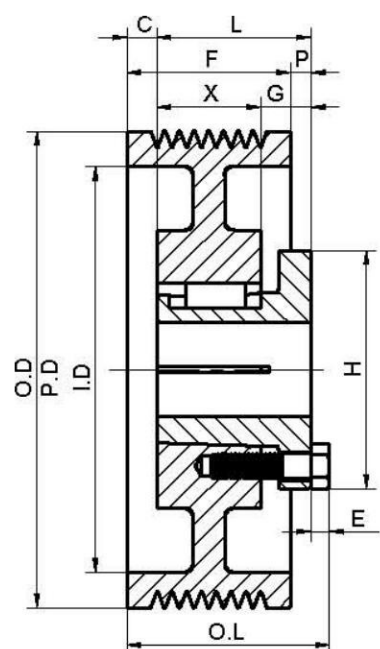
TYPE 3



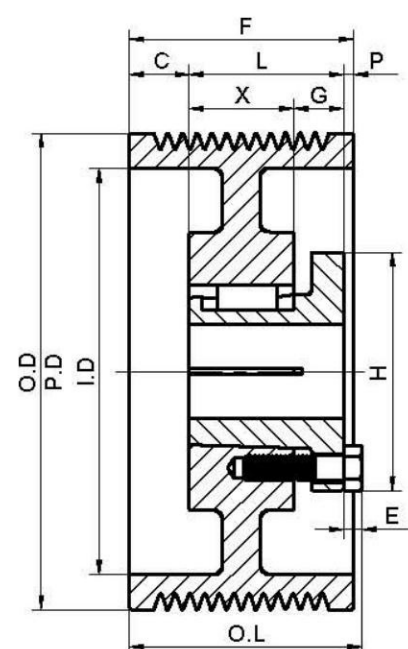
TYPE 5



TYPE 13



TYPE 15



TYPE 16

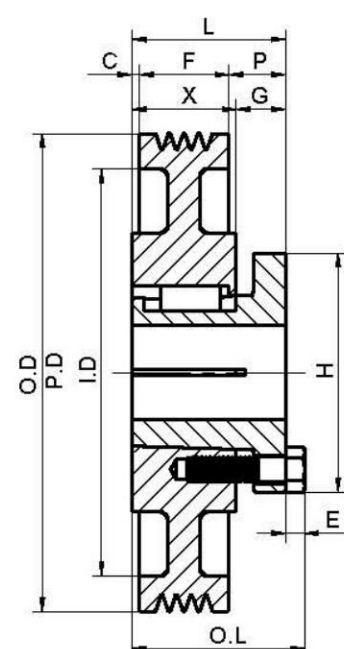


Table No.3 Specifications—Stock "L" Sheaves

Part No.	Bushing	Type	DIAMETERS			Dimensions								Wt. Less Bush.
			Pitch "L" Belts	Outside	Inside	O.L	L	P	C	H	G	X	E	
6 GROOVES, F = 1 11/16"														
6L30P1	P1	2	3.0"	3.00"	-	3 1/8"	1 15/16"	1 3/16"	15/16"	3"	5/8"	2 1/4"	1/4"	2.1
6L32P1	P1	2	3.2	3.20	-	3 1/8	1 15/16	1 3/16	15/16	3	5/8	2 1/4	1/4	2.8
6L34P1	P1	5	3.4	3.40	2 1/2"	2 9/16	1 15/16	5/8	3/8	3	-	1 5/16	1/4	2.1
6L36P1	P1	5	3.6	3.60	2 11/16	2 9/16	1 15/16	5/8	3/8	3	-	1 5/16	1/4	2.6
6L38P1	P1	5	3.8	3.80	2 7/8	2 9/16	1 15/16	5/8	3/8	3	-	1 5/16	1/4	2.8
6L40P1	P1	5	4.0	4.00	3 1/16	2 9/16	1 15/16	5/8	3/8	3	-	1 5/16	1/4	3.4
6L42P1	P1	13-Sol.	4.2	4.20	3 1/4	2 3/16	1 15/16	1/4	0	3	5/8	1 5/16	1/4	3.9
6L44P1	P1	13-Sol.	4.4	4.40	3 1/2	2 3/16	1 15/16	1/4	0	3	5/8	1 5/16	1/4	4.3
6L46P1	P1	13-Sol.	4.6	4.60	3 11/16	2 3/16	1 15/16	1/4	0	3	5/8	1 5/16	1/4	4.8
6L48P1	P1	13-Sol.	4.8	4.80	3 7/8	2 3/16	1 15/16	1/4	0	3	5/8	1 5/16	1/4	5.1
6L50P1	P1	13-Web	5.0	5.00	4 1/16	2 3/16	1 15/16	1/4	0	3	5/8	1 5/16	1/4	5.8
6L52P1	P1	13-Web	5.2	5.20	4 1/4	2 3/16	1 15/16	1/4	0	3	5/8	1 5/16	1/4	6.5
6L54P1	P1	13-Web	5.4	5.40	4 1/2	2 3/16	1 15/16	1/4	0	3	5/8	1 5/16	1/4	7.0
6L56P1	P1	13-Web	5.6	5.60	4 11/16	2 3/16	1 15/16	1/4	0	3	5/8	1 5/16	1/4	7.5
6L58P1	P1	13-Web	5.8	5.80	4 7/8	2 3/16	1 15/16	1/4	0	3	5/8	1 5/16	1/4	6.1
6L60P1	P1	13-Web	6.0	6.00	5 1/16	2 3/16	1 15/16	1/4	0	3	5/8	1 5/16	1/4	6.3
6L62P1	P1	13-Web	6.2	6.20	5 1/4	2 3/16	1 15/16	1/4	0	3	5/8	1 5/16	1/4	6.8
6L64P1	P1	13-Web	6.4	6.40	5 1/2	2 3/16	1 15/16	1/4	0	3	5/8	1 5/16	1/4	7.0
6L70Q1	Q1	16-Arm	7.0	7.00	5 9/16	2 25/32	2 1/2	25/32	1/32	4 1/8	3/4	1 3/4	9/32	9.9
6L74Q1	Q1	16-Arm	7.4	7.40	6	2 25/32	2 1/2	25/32	1/32	4 1/8	3/4	1 3/4	9/32	10.8
6L80Q1	Q1	16-Arm	8.0	8.00	6 9/16	2 25/32	2 1/2	25/32	1/32	4 1/8	3/4	1 3/4	9/32	12.0
6L90Q1	Q1	16-Arm	9.0	9.00	7 7/8	2 25/32	2 1/2	25/32	1/32	4 1/8	3/4	1 3/4	9/32	14.1
6L100Q1	Q1	16-Arm	10.0	10.00	7 13/16	2 25/32	2 1/2	25/32	1/32	4 1/8	3/4	1 3/4	9/32	16.1
6L120Q1	Q1	16-Arm	12.0	12.00	11	2 25/32	2 1/2	25/32	1/32	4 1/8	3/4	1 3/4	9/32	22.0
6L140Q1	Q1	16-Arm	14.0	14.00	12 1/8	2 25/32	2 1/2	25/32	1/32	4 1/8	3/4	1 3/4	9/32	27.8
6L160Q1	Q1	16-Arm	16.0	16.00	14 9/16	2 25/32	2 1/2	25/32	1/32	4 1/8	3/4	1 3/4	9/32	30.9
6L180Q1	Q1	16-Arm	18.0	18.00	16 7/8	2 25/32	2 1/2	25/32	1/32	4 1/8	3/4	1 3/4	9/32	36.9
6L200Q1	Q1	16-Arm	20.0	20.00	18 1/2	2 25/32	2 1/2	25/32	1/32	4 1/8	3/4	1 3/4	9/32	38.6
6L240Q1	Q1	16-Arm	24.0	24.00	22 3/16	2 25/32	2 1/2	25/32	1/32	4 1/8	3/4	1 3/4	9/32	47.5
6L300Q1	Q1	16-Arm	30.0	30.00	28 1/2	2 25/32	2 1/2	25/32	1/32	4 1/8	3/4	1 3/4	9/32	83.0
8 GROOVES, F = 2 1/16"														
8L30P1	P1	3	3.0"	3.00"	2 1/16"	3 1/2"	1 15/16"	1 3/16"	1 5/16"	3"	5/8"	2 5/16"	1/4"	2.5
8L32P1	P1	3	3.2	3.20	2 1/4	3 1/2	1 15/16	1 3/16	1 5/16	3	5/8	2 5/16	1/4	3.1
8L34P1	P1	5	3.4	3.40	2 1/2	2 15/16	1 15/16	5/8	3/4	3	-	1 5/16	1/4	2.5
8L36P1	P1	5	3.6	3.60	2 11/16	2 15/16	1 15/16	5/8	3/4	3	-	1 5/16	1/4	2.8
8L38P1	P1	5	3.8	3.80	2 7/8	2 15/16	1 15/16	5/8	3/4	3	-	1 5/16	1/4	3.4
8L40P1	P1	5	4.0	4.00	3 1/16	2 15/16	1 15/16	5/8	3/4	3	-	1 5/16	1/4	3.7
8L42P1	P1	13-Sol.	4.2	4.20	3 1/16	2 5/16	1 15/16	0	1/8	3	5/8	1 5/16	1/4	4.3
8L44P1	P1	13-Sol.	4.4	4.40	3 1/2	2 5/16	1 15/16	0	1/8	3	5/8	1 5/16	1/4	4.6
8L46P1	P1	13-Sol.	4.6	4.60	3 11/16	2 5/16	1 15/16	0	1/8	3	5/8	1 5/16	1/4	5.1
8L48P1	P1	13-Sol.	4.8	4.80	3 7/8	2 5/16	1 15/16	0	1/8	3	5/8	1 5/16	1/4	5.8
8L50P1	P1	13-Web	5.0	5.00	4 1/16	2 5/16	1 15/16	0	1/8	3	5/8	1 5/16	1/4	6.5
8L52P1	P1	13-Web	5.2	5.20	4 1/4	2 5/16	1 15/16	0	1/8	3	5/8	1 5/16	1/4	7.1
8L54P1	P1	13-Web	5.4	5.40	3 15/16	2 5/16	1 15/16	0	1/8	3	5/8	1 5/16	1/4	8.0
8L56P1	P1	13-Web	5.6	5.60	4 11/16	2 5/16	1 15/16	0	1/8	3	5/8	1 5/16	1/4	8.3
8L58P1	P1	13-Web	5.8	5.80	4 3/4	2 5/16	1 15/16	0	1/8	3	5/8	1 5/16	1/4	6.7
8L60P1	P1	13-Web	6.0	6.00	5 1/16	2 5/16	1 15/16	0	1/8	3	5/8	1 5/16	1/4	7.0
8L62P1	P1	13-Web	6.2	6.20	4 3/4	2 5/16	1 15/16	0	1/8	3	5/8	1 5/16	1/4	7.5
8L64P1	P1	13-Web	6.4	6.40	4 15/16	2 5/16	1 15/16	0	1/8	3	5/8	1 5/16	1/4	7.8
8L70Q1	Q1	13-Arm	7.0	7.00	5 13/16	2 15/16	2 1/2	19/32	5/32	4 1/8	3/4	1 3/4	9/32	10.8
8L74Q1	Q1	13-Arm	7.4	7.40	6	2 15/16	2 1/2	19/32	5/32	4 1/8	3/4	1 3/4	9/32	11.5
8L80Q1	Q1	13-Arm	8.0	8.00	6 15/16	2 15/16	2 1/2	19/32	5/32	4 1/8	3/4	1 3/4	9/32	13.9
8L90Q1	Q1	13-Arm	9.0	9.00	7 7/8	2 15/16	2 1/2	19/32	5/32	4 1/8	3/4	1 3/4	9/32	15.5
8L100Q1	Q1	13-Arm	10.0	10.00	7 13/16	2 15/16	2 1/2	19/32	5/32	4 1/8	3/4	1 3/4	9/32	18.0
8L120Q1	Q1	13-Arm	12.0	12.00	10 7/8	2 15/16	2 1/2	19/32	5/32	4 1/8	3/4	1 3/4	9/32	23.3
8L140Q1	Q1	13-Arm	14.0	14.00	12 1/8	2 15/16	2 1/2	19/32	5/32	4 1/8	3/4	1 3/4	9/32	31.6
8L160Q1	Q1	13-Arm	16.0	16.00	14 9/16	2 15/16	2 1/2	19/32	5/32	4 1/8	3/4	1 3/4	9/32	30.5
8L180Q1	Q1	13-Arm	18.0	18.00	17	2 15/16	2 1/2	19/32	5/32	4 1/8	3/4	1 3/4	9/32	40.9
8L200Q1	Q1	13-Arm	20.0	20.00	18 1/2	2 15/16	2 1/2	19/32	5/32	4 1/8	3/4	1 3/4	9/32	40.9
8L240Q1	Q1	13-Arm	24.0	24.00	23	2 15/16	2 1/2	19/32	5/32	4 1/8	3/4	1 3/4	9/32	54.0
8L300Q1	Q1	13-Arm	30.0	30.00	28 1/2	2 15/16	2 1/2	19/32	5/32	4 1/8	3/4	1 3/4	9/32	81.0

Poly-V-Sheaves

Table No.4

Specifications—Stock "L" Sheaves

Part No.	Bushing	Type	DIAMETERS			Dimensions								Wt. Less Bush.
			Pitch "L" Belts	Outside	Inside	O.L	L	P	C	H	G	X	E	
10 GROOVES, F = 2 7/16"														
10L30P2	P2	3	3.0"	3.00"	2 1/16"	3 7/8"	2 15/16"	1 3/16"	11/16"	3"	5/8"	2 5/16"	1/4"	2.8
10L32P2	P2	3	3.2	3.20	2 1/4	3 7/8	2 15/16	1 3/16	11/16	3	5/8	2 5/16	1/4	3.5
10L34P1	P1	5	3.4	3.40	2 1/2	3 5/16	1 15/16	5/8	1 1/8	3	-	1 5/16	1/4	2.8
10L36P1	P1	5	3.6	3.60	2 11/16	3 5/16	1 15/16	5/8	1 1/8	3	-	1 5/16	1/4	3.3
10L38P1	P1	5	3.8	3.80	2 1/4	3 5/16	1 15/16	5/8	1 1/8	3	-	1 5/16	1/4	3.8
10L40P1	P1	5	4.0	4.00	3 1/16	3 5/16	1 15/16	5/8	1 1/8	3	-	1 5/16	1/4	4.3
10L42P1	P1	13-Web	4.2	4.20	3 1/4	2 11/16	1 15/16	0	1/2	3	5/8	1 5/16	1/4	4.7
10L44P1	P1	13-Web	4.4	4.40	3 1/2	2 11/16	1 15/16	0	1/2	3	5/8	1 5/16	1/4	5.1
10L46P1	P1	13-Web	4.6	4.60	3 11/16	2 11/16	1 15/16	0	1/2	3	5/8	1 5/16	1/4	5.6
10L48P1	P1	13-Web	4.8	4.80	3 7/8	2 11/16	1 15/16	0	1/2	3	5/8	1 5/16	1/4	6.3
10L50P1	P1	13-Web	5.0	5.00	4 1/16	2 11/16	1 15/16	0	1/2	3	5/8	1 5/16	1/4	6.8
10L52P1	P1	13-Web	5.2	5.20	4 1/4	2 11/16	1 15/16	0	1/2	3	5/8	1 5/16	1/4	7.5
10L54Q1	Q1	13-Web	5.4	5.40	4 1/2	2 25/32	2 1/2	1/16	0	4 1/8	3/4	1 3/4	9/32	8.1
10L56Q1	Q1	13-Web	5.6	5.60	4 11/16	2 25/32	2 1/2	1/16	0	4 1/8	3/4	1 3/4	9/32	8.8
10L58Q1	Q1	13-Web	5.8	5.80	4 7/8	2 25/32	2 1/2	1/16	0	4 1/8	3/4	1 3/4	9/32	9.6
10L60Q1	Q1	13-Web	6.0	6.00	5 1/16	2 25/32	2 1/2	1/16	0	4 1/8	3/4	1 3/4	9/32	10.4
10L62Q1	Q1	13-Web	6.2	6.20	5 1/4	2 25/32	2 1/2	1/16	0	4 1/8	3/4	1 3/4	9/32	11.5
10L64Q1	Q1	13-Web	6.4	6.40	5 1/2	2 25/32	2 1/2	1/16	0	4 1/8	3/4	1 3/4	9/32	11.9
10L70Q1	Q1	13-Web	7.0	7.00	5 9/16	3 1/8	2 1/2	13/32	11/32	4 1/8	3/4	1 3/4	9/32	11.6
10L74Q1	Q1	13-Arm	7.4	7.40	6	3 1/8	2 1/2	13/32	11/32	4 1/8	3/4	1 3/4	9/32	12.3
10L80Q1	Q1	13-Arm	8.0	8.00	6 9/16	3 1/8	2 1/2	13/32	11/32	4 1/8	3/4	1 3/4	9/32	14.5
10L90Q1	Q1	13-Arm	9.0	9.00	7 7/8	3 1/8	2 1/2	13/32	11/32	4 1/8	3/4	1 3/4	9/32	16.1
10L100Q1	Q1	13-Arm	10.0	10.00	7 13/16	3 1/8	2 1/2	13/32	11/32	4 1/8	3/4	1 3/4	9/32	19.2
10L120Q1	Q1	13-Arm	12.0	12.00	10 15/16	3 1/8	2 1/2	13/32	11/32	4 1/8	3/4	1 3/4	9/32	24.3
10L140Q1	Q1	13-Arm	14.0	14.00	12 1/8	3 1/8	2 1/2	13/32	11/32	4 1/8	3/4	1 3/4	9/32	31.0
10L160Q1	Q1	13-Arm	16.0	16.00	14 9/16	3 1/8	2 1/2	13/32	11/32	4 1/8	3/4	1 3/4	9/32	34.6
10L180Q1	Q1	13-Arm	18.0	18.00	17	3 1/8	2 1/2	13/32	11/32	4 1/8	3/4	1 3/4	9/32	41.1
10L200Q1	Q1	13-Arm	20.0	20.00	18 1/2	3 1/8	2 1/2	13/32	11/32	4 1/8	3/4	1 3/4	9/32	45.3
10L240Q1	Q1	13-Arm	24.0	24.00	22 3/16	3 1/8	2 1/2	13/32	11/32	4 1/8	3/4	1 3/4	9/32	61.5
10L300Q1	Q1	13-Arm	30.0	30.00	28 1/2	3 1/8	2 1/2	13/32	11/32	4 1/8	3/4	1 3/4	9/32	84.0
12 GROOVES, F = 2 13/16"														
12L30P2	P2	3	3.00"	3.00"	2 1/16"	4 1/4"	2 15/16"	1 3/16"	1 1/16"	3"	5/8"	2 5/16"	1/4"	3.1
12L32P2	P2	3	3.20	3.20	2 1/4	4 1/4	2 15/16	1 3/16	1 1/16	3	5/8	2 5/16	1/4	3.6
12L34P1	P1	5	3.40	3.40	2 1/2	3 11/16	1 15/16	5/8	1 1/2	3	-	1 5/16	1/4	3.0
12L36P1	P1	5	3.60	3.60	2 11/16	3 11/16	1 15/16	5/8	1 1/2	3	-	1 5/16	1/4	3.6
12L38P1	P1	5	3.80	3.80	2 7/8	3 11/16	1 15/16	5/8	1 1/2	3	-	1 5/16	1/4	4.0
12L40P1	P1	5	4.00	4.00	3 1/16	3 11/16	1 15/16	5/8	1 1/2	3	-	1 5/16	1/4	4.7
12L42P1	P1	13-Web	4.20	4.20	3 1/4	3 1/16	1 15/16	0	7/8	3	5/8	1 5/16	1/4	5.0
12L44P1	P1	13-Web	4.40	4.40	3 1/2	3 1/16	1 15/16	0	7/8	3	5/8	1 5/16	1/4	5.5
12L46P1	P1	13-Web	4.60	4.60	3 11/16	3 1/16	1 15/16	0	7/8	3	5/8	1 5/16	1/4	6.0
12L48P1	P1	13-Web	4.80	4.80	3 7/8	3 1/16	1 15/16	0	7/8	3	5/8	1 5/16	1/4	6.9
12L50P1	P1	13-Web	5.00	5.00	4 1/16	3 1/16	1 15/16	0	7/8	3	5/8	1 5/16	1/4	7.5
12L52P1	P1	13-Web	5.20	5.20	4 1/4	3 1/16	1 15/16	0	7/8	3	5/8	1 5/16	1/4	7.7
12L54Q1	Q1	13-Web	5.40	5.40	4 1/2	3 3/32	2 1/2	0	5/16	4 1/8	3/4	1 3/4	9/32	8.6
12L56Q1	Q1	13-Web	5.60	5.60	4 11/16	3 3/32	2 1/2	0	5/16	4 1/8	3/4	1 3/4	9/32	9.3
12L58Q1	Q1	13-Web	5.80	5.80	4 7/8	3 3/32	2 1/2	0	5/16	4 1/8	3/4	1 3/4	9/32	10.3
12L60Q1	Q1	13-Web	6.00	6.00	5 1/16	3 3/32	2 1/2	0	5/16	4 1/8	3/4	1 3/4	9/32	11.1
12L62Q1	Q1	13-Web	6.20	6.20	5 1/4	3 3/32	2 1/2	0	5/16	4 1/8	3/4	1 3/4	9/32	11.9
12L64Q1	Q1	13-Web	6.40	6.40	5 1/2	3 3/32	2 1/2	0	5/16	4 1/8	3/4	1 3/4	9/32	12.9
12L70Q1	Q1	13-Web	7.00	7.00	5 9/16	3 5/16	2 1/2	7/32	17/32	4 1/8	3/4	1 3/4	9/32	12.4
12L74Q1	Q1	13-Web	7.40	7.40	6	3 5/16	2 1/2	7/32	17/32	4 1/8	3/4	1 3/4	9/32	13.0
12L80Q1	Q1	13-Arm	8.00	8.00	6 9/16	3 5/16	2 1/2	7/32	17/32	4 1/8	3/4	1 3/4	9/32	15.0
12L90Q1	Q1	13-Arm	9.00	9.00	7 7/8	3 5/16	2 1/2	7/32	17/32	4 1/8	3/4	1 3/4	9/32	17.0
12L100Q1	Q1	13-Arm	10.00	10.00	7 13/16	3 5/16	2 1/2	7/32	17/32	4 1/8	3/4	1 3/4	9/32	20.2
12L120Q1	Q1	13-Arm	12.00	12.00	10 15/16	3 5/16	2 1/2	7/32	17/32	4 1/8	3/4	1 3/4	9/32	27.4
12L140Q1	Q1	13-Arm	14.00	14.00	12 1/8	3 5/16	2 1/2	7/32	17/32	4 1/8	3/4	1 3/4	9/32	32.9
12L160Q1	Q1	13-Arm	16.00	16.00	14 9/16	3 5/16	2 1/2	7/32	17/32	4 1/8	3/4	1 3/4	9/32	32.5
12L180Q1	Q1	13-Arm	18.00	18.00	17	3 5/16	2 1/2	7/32	17/32	4 1/8	3/4	1 3/4	9/32	42.9
12L200Q1	Q1	13-Arm	20.00	20.00	18 1/2	3 5/16	2 1/2	7/32	17/32	4 1/8	3/4	1 3/4	9/32	46.5
12L240Q1	Q1	13-Arm	24.00	24.00	22 3/16	3 5/16	2 1/2	7/32	17/32	4 1/8	3/4	1 3/4	9/32	60.0
12L300Q1	Q1	13-Arm	30.00	30.00	28 1/2	3 5/16	2 1/2	7/32	17/32	4 1/8	3/4	1 3/4	9/32	93.0

Poly-V sheaves

Table No.5 Specifications—Stock "L" Sheaves

Part No.	Bushing	Type	DIAMETERS			Dimensions								Wt. Less Bush.
			Pitch "L" Belts	Outside	Inside	O.L	L	P	C	H	G	X	E	
14 GROOVES, F = 3 3/16"														
14L54Q1	Q1	13-Web	5.4"	5.40"	4 1/2"	3 21/32"	2 1/2"	0"	11/16"	4 1/8"	3/4"	1 3/4"	9/32"	8.9
14L56Q1	Q1	13-Web	5.6	5.60	4 11/16	3 21/32	2 1/2	0	11/16	4 1/8	3/4	1 3/4	9/32	10.0
14L58Q1	Q1	13-Web	5.8	5.80	4 7/8	3 21/32	2 1/2	0	11/16	4 1/8	3/4	1 3/4	9/32	10.7
14L60Q1	Q1	13-Web	6.0	6.00	5 1/16	3 21/32	2 1/2	0	11/16	4 1/8	3/4	1 3/4	9/32	12.1
14L62Q1	Q1	13-Web	6.2	6.20	5 1/4	3 21/32	2 1/2	0	11/16	4 1/8	3/4	1 3/4	9/32	12.6
14L64Q1	Q1	13-Web	6.4	6.40	5 1/2	3 21/32	2 1/2	0	11/16	4 1/8	3/4	1 3/4	9/32	13.5
14L70Q1	Q1	13-Web	7.0	7.00	5 9/16	3 1/2	2 1/2	1/32	23/32	4 1/8	3/4	1 3/4	9/32	13.4
14L74Q1	Q1	13-Web	7.4	7.40	6	3 1/2	2 1/2	1/32	23/32	4 1/8	3/4	1 3/4	9/32	13.8
14L80Q1	Q1	13-Arm	8.0	8.00	6 9/16	3 1/2	2 1/2	1/32	23/32	4 1/8	3/4	1 3/4	9/32	16.0
14L90R1	R1	13-Arm	9.0	9.00	7 1/4	3 3/4	2 7/8	9/32	19/32	5 3/8	7/8	2	9/32	23.6
14L100R1	R1	13-Arm	10.0	10.00	7 15/16	3 3/4	2 7/8	9/32	19/32	5 3/8	7/8	2	9/32	25.5
14L120R1	R1	13-Arm	12.0	12.00	10 5/16	3 3/4	2 7/8	9/32	19/32	5 3/8	7/8	2	9/32	30.1
14L140R1	R1	13-Arm	14.0	14.00	12 1/8	3 3/4	2 7/8	9/32	19/32	5 3/8	7/8	2	9/32	34.5
14L160R1	R1	13-Arm	16.0	16.00	14 9/16	3 3/4	2 7/8	9/32	19/32	5 3/8	7/8	2	9/32	40.0
14L180R1	R1	13-Arm	18.0	18.00	16 15/16	3 3/4	2 7/8	9/32	19/32	5 3/8	7/8	2	9/32	43.5
14L200R1	R1	13-Arm	20.0	20.00	18 7/16	3 3/4	2 7/8	9/32	19/32	5 3/8	7/8	2	9/32	50.5
14L240R1	R1	13-Arm	24.0	24.00	22 3/16	3 3/4	2 7/8	9/32	19/32	5 3/8	7/8	2	9/32	61.5
14L300R1	R1	13-Arm	30.0	30.00	28 1/2	3 3/4	2 7/8	9/32	19/32	5 3/8	7/8	2	9/32	92.5
16 GROOVES, F = 3 9/16"														
16L54Q1	Q1	13-Web	5.4"	5.40"	4 1/2"	3 27/32"	2 1/2"	0"	1 1/16"	4 1/8"	3/4"	1 3/4"	9/32"	9.5
16L56Q1	Q1	13-Web	5.6	5.60	4 11/16	3 27/32	2 1/2	0	1 1/16	4 1/8	3/4	1 3/4	9/32	10.5
16L58Q1	Q1	13-Web	5.8	5.80	4 7/8	3 27/32	2 1/2	0	1 1/16	4 1/8	3/4	1 3/4	9/32	11.4
16L60Q1	Q1	13-Web	6.0	6.00	5 1/16	3 27/32	2 1/2	0	1 1/16	4 1/8	3/4	1 3/4	9/32	12.4
16L62Q1	Q1	13-Web	6.2	6.20	5 1/4	3 27/32	2 1/2	0	1 1/16	4 1/8	3/4	1 3/4	9/32	13.6
16L64Q1	Q1	13-Web	6.4	6.40	5 1/2	3 27/32	2 1/2	0	1 1/16	4 1/8	3/4	1 3/4	9/32	14.3
16L70Q1	Q1	15-Web	7.0	7.00	6	3 11/16	2 1/2	5/32	29/32	4 1/8	3/4	1 3/4	9/32	14.8
16L74Q1	Q1	15-Web	7.4	7.40	6 7/16	3 11/16	2 1/2	5/32	29/32	4 1/8	3/4	1 3/4	9/32	15.3
16L80Q1	Q1	15-Arm	8.0	8.00	6 9/16	3 11/16	2 1/2	5/32	29/32	4 1/8	3/4	1 3/4	9/32	17.1
16L90R1	R1	13-Arm	9.0	9.00	7 15/16	3 15/16	2 7/8	3/32	25/32	5 3/8	7/8	2	9/32	24.1
16L100R1	R1	13-Arm	10.0	10.00	7 15/16	3 15/16	2 7/8	3/32	25/32	5 3/8	7/8	2	9/32	26.9
16L120R1	R1	13-Arm	12.0	12.00	10 5/16	3 15/16	2 7/8	3/32	25/32	5 3/8	7/8	2	9/32	30.9
16L140R1	R1	13-Arm	14.0	14.00	12 1/8	3 15/16	2 7/8	3/32	25/32	5 3/8	7/8	2	9/32	38.5
16L160R1	R1	13-Arm	16.0	16.00	14 9/16	3 15/16	2 7/8	3/32	25/32	5 3/8	7/8	2	9/32	43.8
16L180R1	R1	13-Arm	18.0	18.00	16 15/16	3 15/16	2 7/8	3/32	25/32	5 3/8	7/8	2	9/32	49.3
16L200R1	R1	13-Arm	20.0	20.00	18 7/16	3 15/16	2 7/8	3/32	25/32	5 3/8	7/8	2	9/32	53.0
16L240R1	R1	13-Arm	24.0	24.00	22 3/16	3 15/16	2 7/8	3/32	25/32	5 3/8	7/8	2	9/32	64.5
16L300R1	R1	13-Arm	30.0	30.00	28 1/2	3 15/16	2 7/8	3/32	25/32	5 3/8	7/8	2	9/32	93.5
20 GROOVES, F = 4 1/4"														
20L54Q1	Q1	13-Web	5.4"	5.40"	4 1/2"	4 17/32"	2 1/2"	0"	1 3/4"	4 1/8"	3/4"	1 3/4"	9/32"	10.4
20L56Q1	Q1	13-Web	5.6	5.60	4 11/16	4 17/32	2 1/2	0	1 3/4	4 1/8	3/4	1 3/4	9/32	11.3
20L58Q1	Q1	13-Web	5.8	5.80	4 7/8	4 17/32	2 1/2	0	1 3/4	4 1/8	3/4	1 3/4	9/32	12.4
20L60Q1	Q1	13-Web	6.0	6.00	5 1/16	4 17/32	2 1/2	0	1 3/4	4 1/8	3/4	1 3/4	9/32	13.5
20L62Q1	Q1	13-Web	6.2	6.20	5 1/4	4 17/32	2 1/2	0	1 3/4	4 1/8	3/4	1 3/4	9/32	15.0
20L64Q1	Q1	13-Web	6.4	6.40	5 1/2	4 17/32	2 1/2	0	1 3/4	4 1/8	3/4	1 3/4	9/32	15.6
20L70Q1	Q1	15-Web	7.0	7.00	5 9/16	4 1/4	2 1/2	1/2	1 1/4	4 1/8	3/4	1 3/4	9/32	18.8
20L74Q1	Q1	15-Web	7.4	7.40	6	4 1/4	2 1/2	1/2	1 1/4	4 1/8	3/4	1 3/4	9/32	21.7
20L80Q1	Q1	15-Arm	8.0	8.00	6 9/16	4 1/4	2 1/2	1/2	1 1/4	4 1/8	3/4	1 3/4	9/32	18.2
20L90R1	R1	15-Arm	9.0	9.00	7 1/4	4 9/32	2 7/8	1/4	1 1/8	5 3/8	7/8	2	9/32	26.4
20L100R1	R1	15-Arm	10.0	10.00	8 3/16	4 9/32	2 7/8	1/4	1 1/8	5 3/8	7/8	2	9/32	29.9
20L120R1	R1	15-Arm	12.0	12.00	10 5/16	4 9/32	2 7/8	1/4	1 1/8	5 3/8	7/8	2	9/32	34.0
20L140R1	R1	15-Arm	14.0	14.00	12 1/4	4 9/32	2 7/8	1/4	1 1/8	5 3/8	7/8	2	9/32	41.6
20L160R1	R1	15-Arm	16.0	16.00	14 9/16	4 9/32	2 7/8	1/4	1 1/8	5 3/8	7/8	2	9/32	46.9
20L180R1	R1	15-Arm	18.0	18.00	16 15/16	4 9/32	2 7/8	1/4	1 1/8	5 3/8	7/8	2	9/32	54.0
20L200R1	R1	15-Arm	20.0	20.00	18 7/16	4 9/32	2 7/8	1/4	1 1/8	5 3/8	7/8	2	9/32	56.5
20L240R1	R1	15-Arm	24.0	24.00	22 3/16	4 9/32	2 7/8	1/4	1 1/8	5 3/8	7/8	2	9/32	72.5
20L300R1	R1	15-Arm	30.0	30.00	28 1/2	4 9/32	2 7/8	1/4	1 1/8	5 3/8	7/8	2	9/32	112.0

Poly-V-sheaves

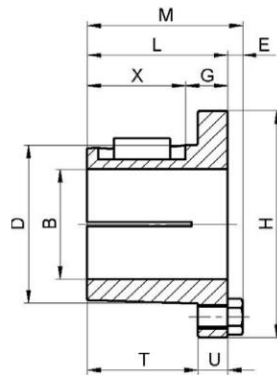
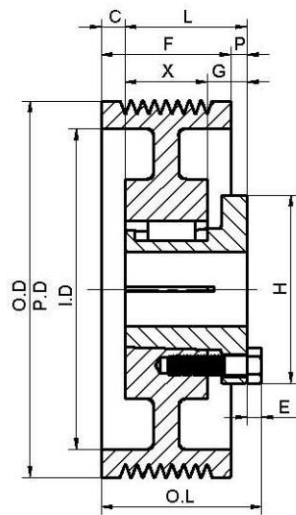


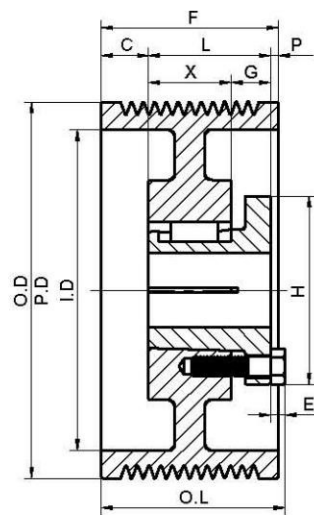
Table No.1 Bushing Dimensions

Part No.	Dimensions									Bore Range	Wt.Lbs
	M	L	G	X	E	T	U	D	H		
Q1	2 25/32"	2 1/2"	3/4"	1 3/4"	9/32"	1 31/32"	17/32"	2 7/8"	4 1/8"	3/4"-2 11/16"	3 1/2
R1	3 5/32	2 7/8	7/8	2	9/32	2 1/4	5/8	4	5 3/8	1 1/8-3 3/4	7 1/2
R2	5 5/32	4 7/8	7/8	4	9/32	4 1/4	5/8	4	5 3/8	1 3/8-3 5/8	11
S1	4 3/4	4 3/8	1 1/16	3 5/16	3/8	3 5/8	3/4	4 5/8	6 3/8	1 11/16-4 1/4	13 1/2

TYPE 13



TYPE 15



Standard Keyseats Table NO.2

Bore Range	Keyseat
3/4" - 7/8"	3/16 x 3/32
15/16 - 1 1/4	1/4 x 1/8
1 5/16 - 1 3/8	5/16 x 5/32
1 7/16 - 1 3/4	3/8 x 3/16
1 13/16 - 2 1/4	1/2 x 1/4
2 5/16 - 2 3/4	5/8 x 5/16
2 13/16 - 3 1/4	3/4 x 3/8
3 3/8 - 3 3/4	7/8 x 7/16
3 7/8 - 4 1/4	1 x 1/2

1 3/8" Bore Bushings(except R2) also available with 3/8"x3/16" Keyseat.

Table No.3 Specifications—Stock "M" Sheaves

Part No.	Bushing	Type	DIAMETERS			Dimensions								Wt. Less Bush.
			Pitch "M" Belts	Outside	Inside	O.L	L	P	C	H	G	X	E	
6 GROOVES, F = 2 7/8"														
6M70Q1	Q1	13-Web	7.0	7.00	5 5/8"	3 11/32"	2 1/2"	3/16"	9/16"	4 1/8"	3/4"	1 3/4"	9/32"	14.2
6M74Q1	Q1	13-Web	7.4	7.40	5 9/16	3 11/32	2 1/2	3/16	9/16	4 1/8	3/4	1 3/4	9/32	14.5
6M76Q1	Q1	13-Web	7.6	7.60	6	3 11/32	2 1/2	3/16	9/16	4 1/8	3/4	1 3/4	9/32	15.4
6M80Q1	Q1	13-Web	8.0	8.00	6 9/16	3 11/32	2 1/2	3/16	9/16	4 1/8	3/4	1 3/4	9/32	16.4
6M84Q1	Q1	13-Web	8.4	8.40	6 9/16	3 11/32	2 1/2	3/16	9/16	4 1/8	3/4	1 3/4	9/32	17.8
6M86Q1	Q1	13-Arm	8.6	8.60	7 1/8	3 11/32	2 1/2	3/16	9/16	4 1/8	3/4	1 3/4	9/32	19.7
6M90Q1	Q1	13-Arm	9.0	9.00	7 1/8	3 11/32	2 1/2	3/16	9/16	4 1/8	3/4	1 3/4	9/32	21.3
6M92Q1	Q1	13-Arm	9.2	9.20	7 9/16	3 11/32	2 1/2	3/16	9/16	4 1/8	3/4	1 3/4	9/32	19.6
6M96Q1	Q1	13-Arm	9.6	9.60	8	3 11/32	2 1/2	3/16	9/16	4 1/8	3/4	1 3/4	9/32	21.0
6M100Q1	Q1	13-Arm	10.0	10.00	7 13/16	3 11/32	2 1/2	3/16	9/16	4 1/8	3/4	1 3/4	9/32	22.3
6M106Q1	Q1	13-Arm	10.6	10.60	8 3/8	3 11/32	2 1/2	3/16	9/16	4 1/8	3/4	1 3/4	9/32	24.5
6M110Q1	Q1	13-Arm	11.0	11.00	9 1/2	3 11/32	2 1/2	3/16	9/16	4 1/8	3/4	1 3/4	9/32	24.6
6M120R1	R1	13-Arm	12.0	12.00	10 5/16	3 19/32	2 7/8	7/16	7/16	5 3/8	7/8	2	9/32	30.3
6M130R1	R1	13-Arm	13.0	13.00	11 1/4	3 19/32	2 7/8	7/16	7/16	5 3/8	7/8	2	9/32	33.0
6M140R1	R1	13-Arm	14.0	14.00	12 1/4	3 19/32	2 7/8	7/16	7/16	5 3/8	7/8	2	9/32	36.0
6M150R1	R1	13-Arm	15.0	15.00	13 1/2	3 19/32	2 7/8	7/16	7/16	5 3/8	7/8	2	9/32	38.9
6M160R1	R1	13-Arm	16.0	16.00	14 1/4	3 19/32	2 7/8	7/16	7/16	5 3/8	7/8	2	9/32	42.0
6M180R1	R1	13-Arm	18.0	18.00	16 1/4	3 19/32	2 7/8	7/16	7/16	5 3/8	7/8	2	9/32	48.2
6M200R1	R1	13-Arm	20.0	20.00	18 1/4	3 19/32	2 7/8	7/16	7/16	5 3/8	7/8	2	9/32	54.5
6M240R1	R1	13-Arm	24.0	24.00	22	3 19/32	2 7/8	7/16	7/16	5 3/8	7/8	2	9/32	65.5
6M300R1	R1	13-Arm	30.0	30.00	28 1/2	3 19/32	2 7/8	7/16	7/16	5 3/8	7/8	2	9/32	99.0
6M360R1	R1	13-Arm	36.0	36.00	34 3/16	3 19/32	2 7/8	7/16	7/16	5 3/8	7/8	2	9/32	122.0
6M440R1	R1	13-Arm	44.0	44.00	42 1/16	3 19/32	2 7/8	7/16	7/16	5 3/8	7/8	2	9/32	187.0

Table No.4 Specifications—Stock "M" Sheaves

Part No.	Bushing	Type	DIAMETERS			Dimensions								Wt. Less Bush.
			Pitch "M" Belts	Outside	Inside	O.L	L	P	C	H	G	X	E	
8 GROOVES,F = 3 9/16"														
8M70Q1	Q1	15-Web	7.0	7.00	5 9/16"	3 11/16"	2 1/2"	5/32"	29/32"	4 1/8"	3/4"	1 3/4"	9/32"	17.6
8M74Q1	Q1	15-Web	7.4	7.40	6	3 11/16	2 1/2	5/32	29/32	4 1/8	3/4	1 3/4	9/32	17.1
8M76Q1	Q1	15-Web	7.6	7.60	6	3 11/16	2 1/2	5/32	29/32	4 1/8	3/4	1 3/4	9/32	17.1
8M80Q1	Q1	15-Web	8.0	8.00	6 9/16	3 11/16	2 1/2	5/32	29/32	4 1/8	3/4	1 3/4	9/32	18.1
8M84Q1	Q1	15-Arm	8.4	8.40	6 9/16	3 11/16	2 1/2	5/32	29/32	4 1/8	3/4	1 3/4	9/32	20.3
8M86Q1	Q1	15-Arm	8.6	8.60	7 1/8	3 11/16	2 1/2	5/32	29/32	4 1/8	3/4	1 3/4	9/32	25.3
8M90R1	R1	13-Arm	9.0	9.00	7	3 15/16	2 7/8	3/32	25/32	5 3/8	7/8	2	9/32	26.0
8M92R1	R1	13-Arm	9.2	9.20	7 9/16	3 15/16	2 7/8	3/32	25/32	5 3/8	7/8	2	9/32	27.3
8M96R1	R1	13-Arm	9.6	9.60	7 15/16	3 15/16	2 7/8	3/32	25/32	5 3/8	7/8	2	9/32	28.1
8M100R1	R1	13-Arm	10.0	10.00	7 15/16	3 15/16	2 7/8	3/32	25/32	5 3/8	7/8	2	9/32	29.0
8M106R1	R1	13-Arm	10.6	10.60	8 1/2	3 15/16	2 7/8	3/32	25/32	5 3/8	7/8	2	9/32	32.1
8M110R1	R1	13-Arm	11.0	11.00	8 13/16	3 15/16	2 7/8	3/32	25/32	5 3/8	7/8	2	9/32	33.8
8M120R1	R1	13-Arm	12.0	12.00	10 5/16	3 15/16	2 7/8	3/32	25/32	5 3/8	7/8	2	9/32	34.6
8M130R1	R1	13-Arm	13.0	13.00	11 1/4	3 15/16	2 7/8	3/32	25/32	5 3/8	7/8	2	9/32	37.3
8M140R1	R1	13-Arm	14.0	14.00	12 1/4	3 15/16	2 7/8	3/32	25/32	5 3/8	7/8	2	9/32	41.4
8M150R1	R1	13-Arm	15.0	15.00	13 1/4	3 15/16	2 7/8	3/32	25/32	5 3/8	7/8	2	9/32	42.6
8M160R1	R1	13-Arm	16.0	16.00	14 9/16	3 15/16	2 7/8	3/32	25/32	5 3/8	7/8	2	9/32	47.3
8M180R1	R1	13-Arm	18.0	18.00	16 1/4	3 15/16	2 7/8	3/32	25/32	5 3/8	7/8	2	9/32	51.5
8M200R1	R1	13-Arm	20.0	20.00	18 1/16	3 15/16	2 7/8	3/32	25/32	5 3/8	7/8	2	9/32	60.0
8M240R1	R1	13-Arm	24.0	24.00	22 3/16	3 15/16	2 7/8	3/32	25/32	5 3/8	7/8	2	9/32	74.0
8M300R1	R1	13-Arm	30.0	30.00	28 1/2	3 15/16	2 7/8	3/32	25/32	5 3/8	7/8	2	9/32	112.0
8M360R1	R1	13-Arm	36.0	36.00	34 3/16	3 15/16	2 7/8	3/32	25/32	5 3/8	7/8	2	9/32	139.0
8M440R1	R1	13-Arm	44.0	44.00	42 1/16	3 15/16	2 7/8	3/32	25/32	5 3/8	7/8	2	9/32	200.0
10 GROOVES,F = 4 5/16"														
10M70Q1	Q1	15-Web	7.0"	7.00"	5 9/16"	4 5/16"	2 1/2"	17/32"	1 9/32"	4 1/8"	3/4"	1 3/4"	9/32"	19.5
10M74Q1	Q1	15-Web	7.4	7.40	6	4 5/16	2 1/2	17/32	1 9/32	4 1/8	3/4	1 3/4	9/32	22.4
10M76Q1	Q1	15-Web	7.6	7.60	6	4 5/16	2 1/2	17/32	1 9/32	4 1/8	3/4	1 3/4	9/32	24.0
10M80Q1	Q1	15-Web	8.0	8.00	6 9/16	4 5/16	2 1/2	17/32	1 9/32	4 1/8	3/4	1 3/4	9/32	21.3
10M84Q1	Q1	15-Web	8.4	8.40	6 9/16	4 5/16	2 1/2	17/32	1 9/32	4 1/8	3/4	1 3/4	9/32	22.4
10M86Q1	Q1	15-Web	8.6	8.60	7 1/8	4 5/16	2 1/2	17/32	1 9/32	4 1/8	3/4	1 3/4	9/32	23.1
10M90R1	R1	15-Web	9.0	9.00	7 1/4	4 5/16	2 7/8	9/32	1 5/32	5 3/8	7/8	2	9/32	28.5
10M92R1	R1	15-Web	9.2	9.20	7 1/4	4 5/16	2 7/8	9/32	1 5/32	5 3/8	7/8	2	9/32	30.0
10M96R1	R1	15-Web	9.6	9.60	7 3/8	4 5/16	2 7/8	9/32	1 5/32	5 3/8	7/8	2	9/32	30.8
10M100R1	R1	15-Web	10.0	10.00	7 15/16	4 5/16	2 7/8	9/32	1 5/32	5 3/8	7/8	2	9/32	32.5
10M106R1	R1	15-Web	10.6	10.60	8 1/2	4 5/16	2 7/8	9/32	1 5/32	5 3/8	7/8	2	9/32	35.5
10M110R1	R1	15-Arm	11.0	11.00	8 13/16	4 5/16	2 7/8	9/32	1 5/32	5 3/8	7/8	2	9/32	38.0
10M120R1	R1	15-Arm	12.0	12.00	10 5/16	4 5/16	2 7/8	9/32	1 5/32	5 3/8	7/8	2	9/32	38.1
10M130R1	R1	15-Arm	13.0	13.00	11 1/4	4 5/16	2 7/8	9/32	1 5/32	5 3/8	7/8	2	9/32	41.4
10M140R1	R1	15-Arm	14.0	14.00	12 1/4	4 5/16	2 7/8	9/32	1 5/32	5 3/8	7/8	2	9/32	45.5
10M150R1	R1	15-Arm	15.0	15.00	13 1/4	4 5/16	2 7/8	9/32	1 5/32	5 3/8	7/8	2	9/32	47.4
10M160R1	R1	15-Arm	16.0	16.00	14 9/16	4 5/16	2 7/8	9/32	1 5/32	5 3/8	7/8	2	9/32	51.0
10M180R1	R1	15-Arm	18.0	18.00	16 1/4	4 5/16	2 7/8	9/32	1 5/32	5 3/8	7/8	2	9/32	60.3
10M200R1	R1	15-Arm	20.0	20.00	18 1/4	4 5/16	2 7/8	9/32	1 5/32	5 3/8	7/8	2	9/32	68.3
10M240R1	R1	15-Arm	24.0	24.00	22 3/16	4 5/16	2 7/8	9/32	1 5/32	5 3/8	7/8	2	9/32	84.5
10M300R1	R1	15-Arm	30.0	30.00	28 1/2	4 5/16	2 7/8	9/32	1 5/32	5 3/8	7/8	2	9/32	119.0
10M360R1	R1	15-Arm	36.0	36.00	34 3/16	4 5/16	2 7/8	9/32	1 5/32	5 3/8	7/8	2	9/32	171.0
10M440R1	R1	15-Arm	44.0	44.00	42 3/16	4 5/16	2 7/8	9/32	1 5/32	5 3/8	7/8	2	9/32	218.0

Poly-V-Sheaves



Table No.5 Specifications—Stock "M" Sheaves

Part No.	Bushing	Type	DIAMETERS			Dimensions								Wt. Less Bush.
			Pitch "M" Belts	Outside	Inside	O.L	L	P	C	H	G	X	E	
12 GROOVES, F = 5 1/16"														
12M90R1	R1	15-Web	9.0"	9.00"	7 1/4"	5 1/16"	2 7/8"	21/32"	1 17/32"	5 3/8"	7/8"	2"	9/32"	31.6
12M92R1	R1	15-Web	9.2	9.20	7 3/8	5 1/16	2 7/8	21/32	1 17/32	5 3/8	7/8	2	9/32	33.5
12M96R1	R1	15-Web	9.6	9.60	7 3/8	5 1/16	2 7/8	21/32	1 17/32	5 3/8	7/8	2	9/32	34.3
12M100R1	R1	15-Web	10.0	10.00	7 15/16	5 1/16	2 7/8	21/32	1 17/32	5 3/8	7/8	2	9/32	35.0
12M106R1	R1	15-Web	10.6	10.60	8 1/2	5 1/16	2 7/8	21/32	1 17/32	5 3/8	7/8	2	9/32	39.4
12M110R1	R1	15-Arm	11.0	11.00	8 13/16	5 1/16	2 7/8	21/32	1 17/32	5 3/8	7/8	2	9/32	40.5
12M120R1	R1	15-Arm	12.0	12.00	10 5/16	5 1/16	2 7/8	21/32	1 17/32	5 3/8	7/8	2	9/32	41.4
12M130R1	R1	15-Arm	13.0	13.00	11 1/4	5 1/16	2 7/8	21/32	1 17/32	5 3/8	7/8	2	9/32	45.3
12M140R1	R1	15-Arm	14.0	14.00	12 1/4	5 1/16	2 7/8	21/32	1 17/32	5 3/8	7/8	2	9/32	49.4
12M150R1	R1	15-Arm	15.0	15.00	13 1/4	5 1/16	2 7/8	21/32	1 17/32	5 3/8	7/8	2	9/32	51.0
12M160R1	R1	15-Arm	16.0	16.00	14 1/4	5 1/16	2 7/8	21/32	1 17/32	5 3/8	7/8	2	9/32	56.0
12M180R1	R1	15-Arm	18.0	18.00	16 1/4	5 1/16	2 7/8	21/32	1 17/32	5 3/8	7/8	2	9/32	64.5
12M200R1	R1	15-Arm	20.0	20.00	18 3/16	5 1/16	2 7/8	21/32	1 17/32	5 3/8	7/8	2	9/32	71.5
12M240R1	R1	15-Arm	24.0	24.00	22 3/16	5 1/16	2 7/8	21/32	1 17/32	5 3/8	7/8	2	9/32	91.5
12M300R1	R1	15-Arm	30.0	30.00	28 3/16	5 1/16	2 7/8	21/32	1 17/32	5 3/8	7/8	2	9/32	129.0
12M360R1	R1	15-Arm	36.0	36.00	34 3/16	5 1/16	2 7/8	21/32	1 17/32	5 3/8	7/8	2	9/32	190.0
12M440R1	R1	15-Arm	44.0	44.00	42 3/16	5 1/16	2 7/8	21/32	1 17/32	5 3/8	7/8	2	9/32	237.0
14 GROOVES, F = 5 13/16"														
14M90R2	R2	15-Web	9.0"	9.00"	7 1/4"	6 1/16"	4 7/8"	1/32"	29/32"	5 3/8"	7/8"	4"	9/32"	49.8
14M92R2	R2	15-Web	9.2	9.20	7 1/4	6 1/16	4 7/8	1/32	29/32	5 3/8	7/8	4	9/32	53.0
14M96R2	R2	15-Web	9.6	9.60	7 15/16	6 1/16	4 7/8	1/32	29/32	5 3/8	7/8	4	9/32	54.5
14M100R2	R2	15-Web	10.0	10.00	7 3/4	6 1/16	4 7/8	1/32	29/32	5 3/8	7/8	4	9/32	55.0
14M106R2	R2	15-Web	10.6	10.60	8 13/16	6 1/16	4 7/8	1/32	29/32	5 3/8	7/8	4	9/32	59.8
14M110R2	R2	15-Arm	11.0	11.00	8 13/16	6 1/16	4 7/8	1/32	29/32	5 3/8	7/8	4	9/32	60.5
14M120S1	S1	15-Arm	12.0	12.00	10 9/16	6	4 3/8	3/16	1 1/4	6 3/8	1 1/16	3 5/16	3/8	64.0
14M130S1	S1	15-Arm	13.0	13.00	11 3/8	6	4 3/8	3/16	1 1/4	6 3/8	1 1/16	3 5/16	3/8	71.5
14M140S1	S1	15-Arm	14.0	14.00	12 3/16	6	4 3/8	3/16	1 1/4	6 3/8	1 1/16	3 5/16	3/8	77.5
14M150S1	S1	15-Arm	15.0	15.00	13 3/16	6	4 3/8	3/16	1 1/4	6 3/8	1 1/16	3 5/16	3/8	81.5
14M160S1	S1	15-Arm	16.0	16.00	13 1/4	6	4 3/8	3/16	1 1/4	6 3/8	1 1/16	3 5/16	3/8	87.0
14M180S1	S1	15-Arm	18.0	18.00	16 1/4	6	4 3/8	3/16	1 1/4	6 3/8	1 1/16	3 5/16	3/8	96.5
14M200S1	S1	15-Arm	20.0	20.00	18 3/16	6	4 3/8	3/16	1 1/4	6 3/8	1 1/16	3 5/16	3/8	109.0
14M240S1	S1	15-Arm	24.0	24.00	22 1/4	6	4 3/8	3/16	1 1/4	6 3/8	1 1/16	3 5/16	3/8	131.0
14M300S1	S1	15-Arm	30.0	30.00	28 7/16	6	4 3/8	3/16	1 1/4	6 3/8	1 1/16	3 5/16	3/8	168.0
14M360S1	S1	15-Arm	36.0	36.00	34 3/16	6	4 3/8	3/16	1 1/4	6 3/8	1 1/16	3 5/16	3/8	223.0
14M440S1	S1	15-Arm	44.0	44.00	42 3/16	6	4 3/8	3/16	1 1/4	6 3/8	1 1/16	3 5/16	3/8	280.0

Poly-V-
sheaves

Table No.6 Specifications—Stock "M" Sheaves

Part No.	Bushing	Type	DIAMETERS			Dimensions								Wt. Less Bush.
			Pitch "M" Belts	Outside	Inside	O.L	L	P	C	H	G	X	E	
16 GROOVES,F =6 9/16"														
16M90R2	R2	15-Web	9.0"	9.00"	6 15/16"	6 9/16"	4 7/8"	13/32"	1 9/32"	5 3/8"	7/8"	4"	9/32"	53.5
16M92R2	R2	15-Web	9.2	9.20	7 1/4	6 9/16	4 7/8	13/32	1 9/32	5 3/8	7/8	4	9/32	55.5
16M96R2	R2	15-Web	9.6	9.60	7 7/16	6 9/16	4 7/8	13/32	1 9/32	5 3/8	7/8	4	9/32	58.5
16M100R2	R2	15-Web	10.0	10.00	7 3/4	6 9/16	4 7/8	13/32	1 9/32	5 3/8	7/8	4	9/32	58.5
16M106R2	R2	15-Web	10.6	10.60	8 3/16	6 9/16	4 7/8	13/32	1 9/32	5 3/8	7/8	4	9/32	62.0
16M110R2	R2	15-Arm	11.0	11.00	8 3/4	6 9/16	4 7/8	13/32	1 9/32	5 3/8	7/8	4	9/32	64.5
16M120S1	S1	15-Arm	12.0	12.00	9 7/16	6 9/16	4 3/8	9/16	1 5/8	6 3/8	1 1/16	3 5/16	3/8	67.0
16M130S1	S1	15-Arm	13.0	13.00	10 3/16	6 9/16	4 3/8	9/16	1 5/8	6 3/8	1 1/16	3 5/16	3/8	74.0
16M140S1	S1	15-Arm	14.0	14.00	11 1/4	6 9/16	4 3/8	9/16	1 5/8	6 3/8	1 1/16	3 5/16	3/8	80.0
16M150S1	S1	15-Arm	15.0	15.00	11 15/16	6 9/16	4 3/8	9/16	1 5/8	6 3/8	1 1/16	3 5/16	3/8	86.0
16M160S1	S1	15-Arm	16.0	16.00	12 15/16	6 9/16	4 3/8	9/16	1 5/8	6 3/8	1 1/16	3 5/16	3/8	91.0
16M180S1	S1	15-Arm	18.0	18.00	15 13/16	6 9/16	4 3/8	13/16	1 1/4	6 3/8	1 1/16	3 5/16	3/8	104.0
16M200S1	S1	15-Arm	20.0	20.00	18 1/4	6 9/16	4 3/8	9/16	1 5/8	6 3/8	1 1/16	3 5/16	3/8	113.0
16M240S1	S1	15-Arm	24.0	24.00	22 7/16	6 9/16	4 3/8	9/16	1 5/8	6 3/8	1 1/16	3 5/16	3/8	140.0
16M300S1	S1	15-Arm	30.0	30.00	28 7/16	6 9/16	4 3/8	9/16	1 5/8	6 3/8	1 1/16	3 5/16	3/8	182.0
16M360S1	S1	15-Arm	36.0	36.00	34 3/16	6 9/16	4 3/8	9/16	1 5/8	6 3/8	1 1/16	3 5/16	3/8	235.0
16M440S1	S1	15-Arm	44.0	44.00	42 3/16	6 9/16	4 3/8	9/16	1 5/8	6 3/8	1 1/16	3 5/16	3/8	300.0
20 GROOVES,F =8"														
20M90R2	R2	15-Web	9.0"	9.00"	6 15/16"	8"	4 7/8"	1 1/2"	1 5/8"	5 3/8"	7/8"	4"	9/32"	57.5
20M92R2	R2	15-Web	9.2	9.20	7 1/4	8	4 7/8	1 1/2	1 5/8	5 3/8	7/8	4	9/32	60.0
20M96R2	R2	15-Web	9.6	9.60	7 7/16	8	4 7/8	1 1/2	1 5/8	5 3/8	7/8	4	9/32	63.5
20M100R2	R2	15-Web	10.0	10.00	7 3/4	8	4 7/8	1 1/2	1 5/8	5 3/8	7/8	4	9/32	64.0
20M106R2	R2	15-Web	10.6	10.60	8 3/16	8	4 7/8	1 1/2	1 5/8	5 3/8	7/8	4	9/32	70.0
20M110R2	R2	15-Arm	11.0	11.00	9 1/4	8	4 7/8	1 1/8	2	5 3/8	7/8	4	9/32	71.0
20M120S1	S1	15-Arm	12.0	12.00	9 13/16	8	4 3/8	1 9/32	2 11/32	6 3/8	1 1/16	3 5/16	3/8	74.0
20M130S1	S1	15-Arm	13.0	13.00	10 3/16	8	4 3/8	1 9/32	2 11/32	6 3/8	1 1/16	3 5/16	3/8	84.5
20M140S1	S1	15-Arm	14.0	14.00	11 1/4	8	4 3/8	1 9/32	2 11/32	6 3/8	1 1/16	3 5/16	3/8	90.5
20M150S1	S1	15-Arm	15.0	15.00	12 7/16	8	4 3/8	1 9/32	2 11/32	6 3/8	1 1/16	3 5/16	3/8	96.5
20M160S1	S1	15-Arm	16.0	16.00	13 1/4	8	4 3/8	1 9/32	2 11/32	6 3/8	1 1/16	3 5/16	3/8	100.0
20M180S1	S1	15-Arm	18.0	18.00	16 3/16	8	4 3/8	1 9/32	2 11/32	6 3/8	1 1/16	3 5/16	3/8	112.0
20M200S1	S1	15-Arm	20.0	20.00	18 1/4	8	4 3/8	1 9/32	2 11/32	6 3/8	1 1/16	3 5/16	3/8	127.0
20M240S1	S1	15-Arm	24.0	24.00	22 7/16	8	4 3/8	1 9/32	2 11/32	6 3/8	1 1/16	3 5/16	3/8	156.0
20M300S1	S1	15-Arm	30.0	30.00	28 1/8	8	4 3/8	1 9/32	2 11/32	6 3/8	1 1/16	3 5/16	3/8	205.0
20M360S1	S1	15-Arm	36.0	36.00	34 3/16	8	4 3/8	1 9/32	2 11/32	6 3/8	1 1/16	3 5/16	3/8	264.0
20M440S1	S1	15-Arm	44.0	44.00	42 3/16	8	4 3/8	1 9/32	2 11/32	6 3/8	1 1/16	3 5/16	3/8	335.0

Poly-V-Sheaves