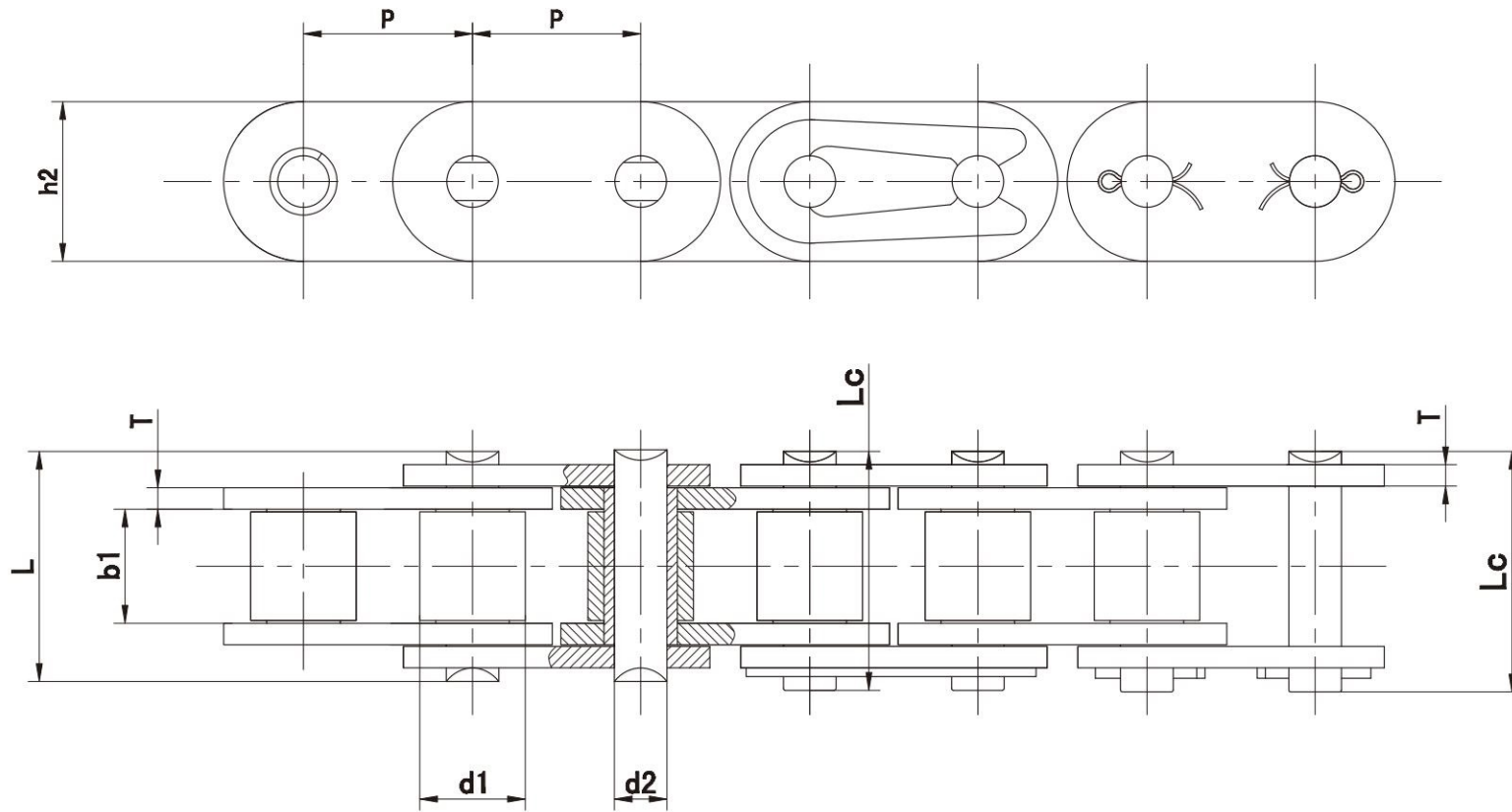


2 A系列直板滚子链

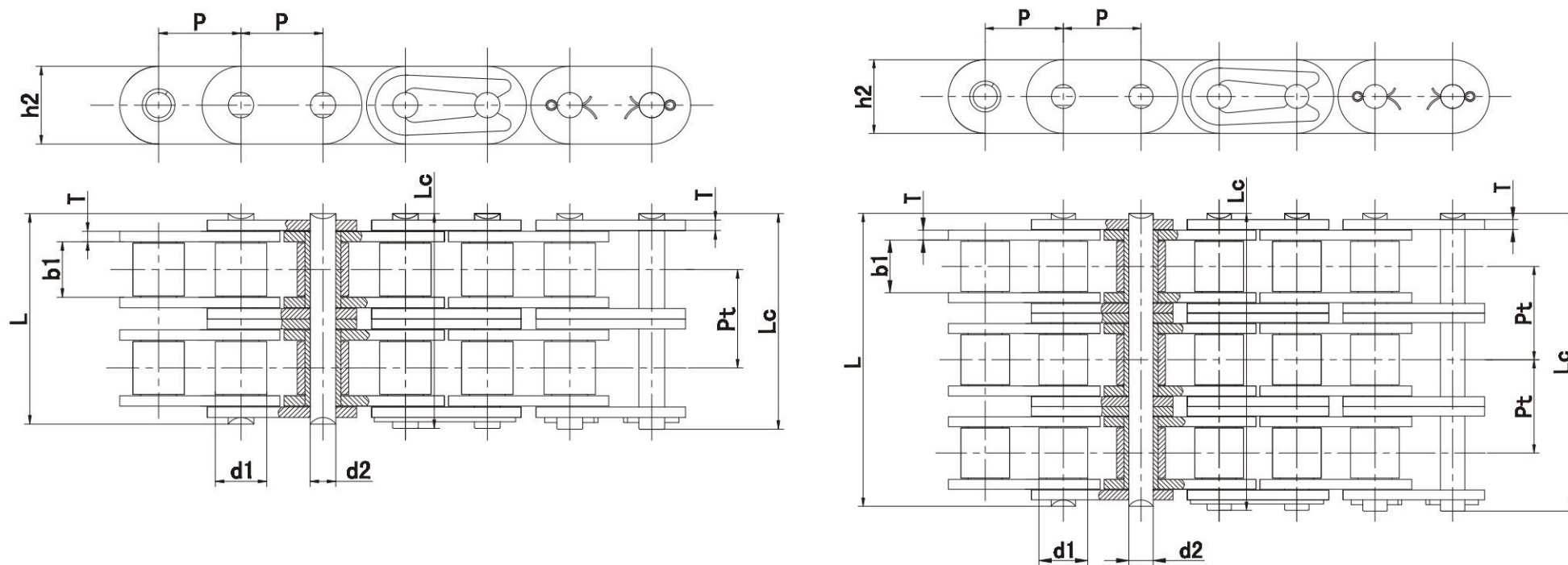
Roller chains with straight plate (A series)



DIN/ISO 链号	ANSI 链号	节距 Pitch	滚子直径 Roller Diameter	内节内宽 Width between Inner Plates	销轴直径 Pin Diameter	销轴长度 Pin Length		内链板高度 Inner Plate Depth	链板厚度 Plate Thickness	极限拉伸载荷 Ultimate Tensile Strength	平均拉伸载荷 Average Tensile Strength	每米重量 Weight Per Meter
DIN/ISO Chain No.	ANSI Chain No.	p	d1 max	b1 min	d2 max	L max	Lc max	h2 max	T max	Q min	Q ₀	q
		mm	mm	mm	mm	mm	mm	mm	mm	kN/LB	kN	kg/m
C08A-1	C40	12.700	7.92	7.85	3.98	17.8	18.8	12.07	1.50	14.1/3273	17.7	0.78
C10A-1	C50	15.875	10.16	9.40	5.09	21.8	22.60	15.09	2.0	22.2/5.45	29.3	1.27
C12A-1	C60	19.050	11.91	12.57	5.96	26.90	27.7	18.10	2.42	31.8/7227	41.7	1.86
C16A-1	C80	25.400	15.88	15.75	7.94	33.5	35.00	24.13	3.25	56.7/12886	69.2	3.03
C20A-1	C100	31.750	19.05	18.90	9.54	41.1	44.7	30.17	4.00	88.5/20114	109.5	4.51
C24A-1	C120	38.100	22.23	25.22	11.11	50.80	54.3	36.20	4.80	127.0/28864	156.7	6.63
C28A-1	C140	44.450	25.40	25.22	12.71	54.90	59.0	42.23	5.60	172.4/39182	212.3	8.52
C32A-1	C160	50.800	28.58	31.55	14.29	65.5	69.6	48.26	6.40	226.8/51545	278.8	11.48

2 A系列直板滚子链

Roller chains with straight plate (A series)



DIN/ISO 链号	ANSI 链号	节距 Pitch	滚子直径 Roller Diameter	内节内宽 Width between Inner Plates	销轴直径 Pin Diameter	销轴长度 Pin Length	内链板高度 Inner Plate Depth	链板厚度 Plate Thickness	排距 Transverse Pitch	极限拉伸载荷 Ultimate Tensile Strength	平均拉伸载荷 Average Tensile Strength	每米重量 Weight Per Meter	
DIN/ISO Chain No.	ANSI Chain No.	p	d1 max	b1 min	d2 max	L max	Lc max	h2 max	T max	Pt	Q min	Q0	q
		mm	mm	mm	mm	mm	mm	mm	mm	mm	kN/LB	kN	kg/m
C08A-2	C40-2	12.700	7.92	7.85	3.98	31.0	34.2	12.07	1.50	14.38	28.2/6409	35.6	1.15
C10A-2	C50-2	15.875	10.16	9.40	5.09	39.9	42.0	15.09	2.0	18.11	44.4/10091	58.5	2.03
C12A-2	C60-2	19.050	11.91	12.57	5.96	49.8	51.5	18.10	2.42	22.78	63.6/14455	82.6	2.94
C16A-2	C80-2	25.400	15.88	15.75	7.94	62.7	64.3	24.13	3.25	29.29	113.4/25773	141.5	5.45
C20A-2	C100-2	31.750	19.05	18.90	9.54	77.0	80.5	30.17	4.00	35.76	177.0/40227	219.9	7.56
C24A-2	C120-2	38.100	22.23	25.22	11.11	96.3	99.7	36.20	4.80	45.44	254.0/57727	314.7	11.63
C28A-2	C140-2	44.450	25.40	25.22	12.71	103.6	110.9	42.23	5.60	48.87	344.8/78364	427.9	15.51
C32A-2	C160-2	50.800	28.58	31.55	14.29	124.2	128.1	48.26	6.40	58.55	453.6/103091	562.8	20.35
C08A-3	C40-3	12.700	7.92	7.85	3.98	46.7	48.6	12.07	1.50	14.38	42.3/9614	50.8	2.17
C10A-3	C50-3	15.875	10.16	9.40	5.09	57.9	59.5	15.09	2.0	18.11	66.6/15136	77.6	3.66
C12A-3	C60-3	19.050	11.91	12.57	5.96	72.6	73.9	18.10	2.42	22.78	95.4/21682	110.7	5.32
C16A-3	C80-3	25.400	15.88	15.75	7.94	91.9	95.1	24.13	3.25	29.29	170.1/38659	198.9	9.13
C20A-3	C100-3	31.750	19.05	18.90	9.54	113.0	116.3	30.17	4.00	35.76	265.5/60341	310.2	13.57
C24A-3	C120-3	38.100	22.23	25.22	11.11	141.7	145.2	36.20	4.80	45.44	381.0/86591	437.8	20.47
C28A-3	C140-3	44.450	25.40	25.22	12.71	152.4	156.8	42.23	5.60	48.87	517.2/117545	593.7	25.25
C32A-3	C160-3	50.800	28.58	31.55	14.29	182.9	186.6	48.26	6.40	58.55	680.4/154636	780.0	34.21