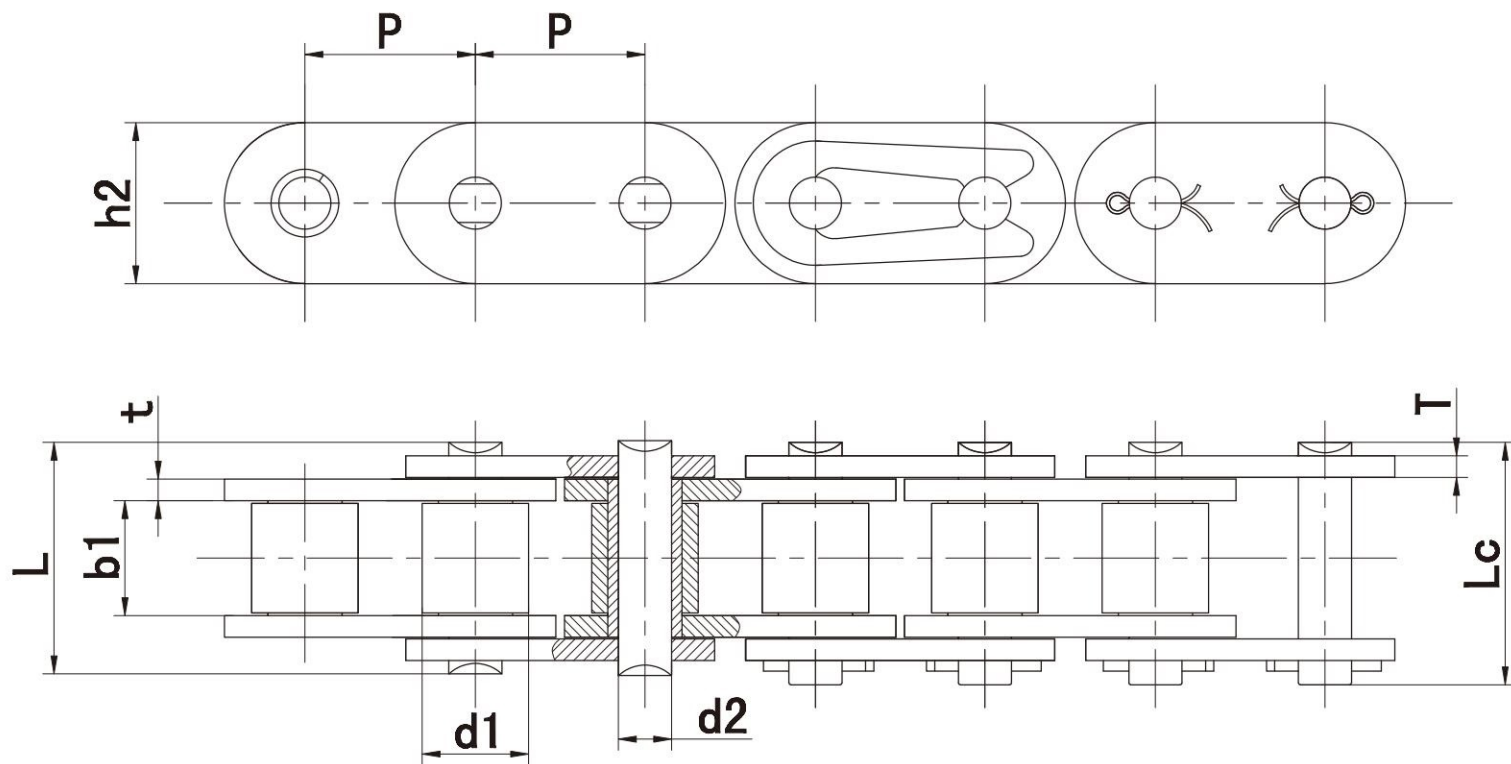


7 B系列直板滚子链

Roller chains with straight plates(B series)

单排滚子链

Simplex Roller Chains

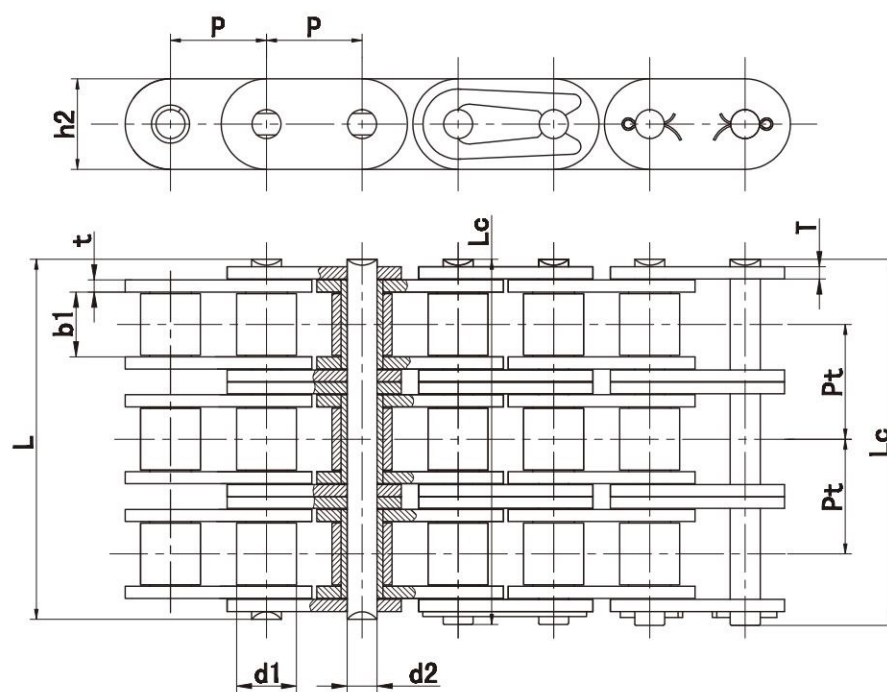
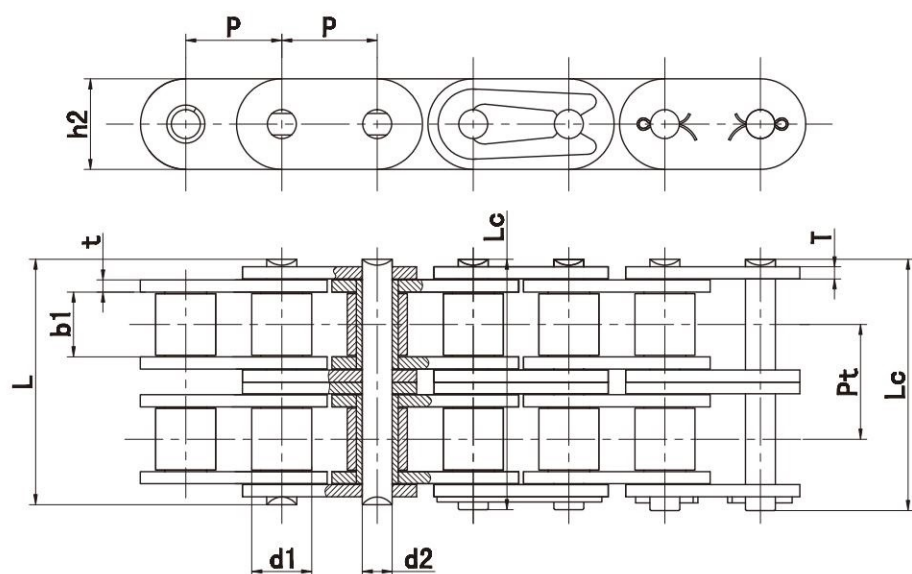


DIN/ISO 链号	节距 Pitch	滚子直径 Roller Diameter	内节内宽 Width between Inner Plates	销轴直径 Pin Diameter	销轴长度 Pin Length		内链板高度 Inner Plate Depth	链板厚度 Plate Thickness	极限拉伸载荷 Ultimate Tensile Strength	平均拉伸载荷 Average Tensile Strength	每米重量 Weight Per Meter
DIN/ISO Chain No.	p	d1 max	b1 min	d2 max	L max	Lc max	h2 max	t/T max	Q min	Q0	q
	mm	mm	mm	mm	mm	mm	mm	mm	kN/LB	kN	kg/m
C08B-1	12.700	8.51	7.75	4.45	17.0	18.2	11.81	1.60	18.0/4091	19.9	0.73
C10B-1	15.875	10.16	9.65	5.08	19.6	20.9	14.73	1.70	22.4/5091	27.3	0.96
C12B-1	19.050	12.07	11.68	5.72	22.7	24.2	16.13	1.85	29.0/6591	31.7	1.13
C16B-1	25.400	15.88	17.02	8.28	36.1	37.4	21.08	4.0/3.0	60.0/13636	72.3	2.74
C20B-1	31.750	19.05	19.56	10.19	43.2	45.0	26.42	4.5/3.5	95.0/21591	106.2	3.76
C24B-1	38.100	25.40	25.40	14.63	53.4	57.8	33.40	6.0/4.8	160.0/36364	178.7	7.13
C28B-1	44.450	27.94	30.99	15.90	65.1	69.5	37.08	7.5/6.0	200.0/45455	222.4	8.54
C32B-1	50.800	29.21	30.99	17.81	67.4	71.0	42.29	7.0/6.0	250.0/56818	277.2	10.27

7 B系列直板滚子链

Roller chains with straight plates(B series)

双排、三排滚子链
Duplex & Triplex Roller Chains



DIN/ISO 链号	节距 Pitch	滚子直径 Roller Diameter	内节内宽 Width between Inner Plates	销轴直径 Pin Diameter	销轴长度 Pin Length		内链板高度 Inner Plate Depth	链板厚度 Plate Thickness	排距 Transverse Pitch	极限拉伸载荷 Ultimate Tensile Strength	平均拉伸载荷 Average Tensile Strength	每米重量 Weight Per Meter
DIN/ISO Chain No.	p	d1 max	b1 min	d2 max	L max	Lc max	h2 max	t/T max	Pt	Q min	Q0	q
	mm	mm	mm	mm	mm	mm	mm	mm	mm	kN/LB	kN	kg/m
C08B-2	12.700	8.51	7.75	4.45	31.0	32.2	11.81	1.60	13.92	32.0/7273	38.7	1.32
C10B-2	15.875	10.16	9.65	5.08	36.2	37.5	14.73	1.70	16.59	44.5/10114	57.8	1.88
C12B-2	19.050	12.07	11.68	5.72	42.2	43.6	16.13	1.85	19.46	57.8/13136	66.1	2.38
C16B-2	25.400	15.88	17.02	8.28	68.0	69.3	21.08	4.0/3.0	31.88	106.0/24091	133.0	5.41
C20B-2	31.750	19.05	19.56	10.19	79.7	81.5	26.42	4.5/3.5	36.45	170.0/38636	211.2	7.27
C24B-2	38.100	25.40	25.40	14.63	101.8	106.2	33.40	6.0/4.8	48.36	280.0/63636	319.2	13.48
C28B-2	44.450	27.94	30.99	15.90	124.7	129.1	37.08	7.5/6.0	59.56	360.0/81818	406.8	16.65
C32B-2	50.800	29.21	30.99	17.81	126.0	129.6	42.29	7.0/6.0	58.55	450.0/102273	508.5	21.04
C08B-3	12.700	8.51	7.75	4.45	44.9	46.1	11.8	1.60	13.92	47.5/10795	57.8	2.13
C10B-3	15.875	10.16	9.65	5.08	52.8	54.1	14.7	1.70	16.59	66.7/15159	84.5	2.88
C12B-3	19.050	12.07	11.68	5.72	61.7	64.2	16.0	1.85	19.46	86.7/19705	101.8	3.82
C16B-3	25.400	15.88	17.02	8.28	99.9	102.9	21.0	4.0/3.0	31.88	160.0/36364	203.7	9.16/10.38
C20B-3	31.750	19.05	19.56	10.19	116.1	117.9	26.4	4.5/3.5	36.45	250.0/56818	290.0	11.33
C24B-3	38.100	25.40	25.40	14.63	150.2	154.6	33.2	6.0/4.8	48.36	425.0/96191	493.0	22.18
C28B-3	44.450	27.94	30.99	15.90	184.3	188.7	36.7	7.5/6.0	59.56	530.0/12454	609.5	29.69
C32B-3	50.800	29.21	30.99	17.81	184.5	188.2	42.0	7.0/6.0	58.55	670.0/152273	770.5	31.24