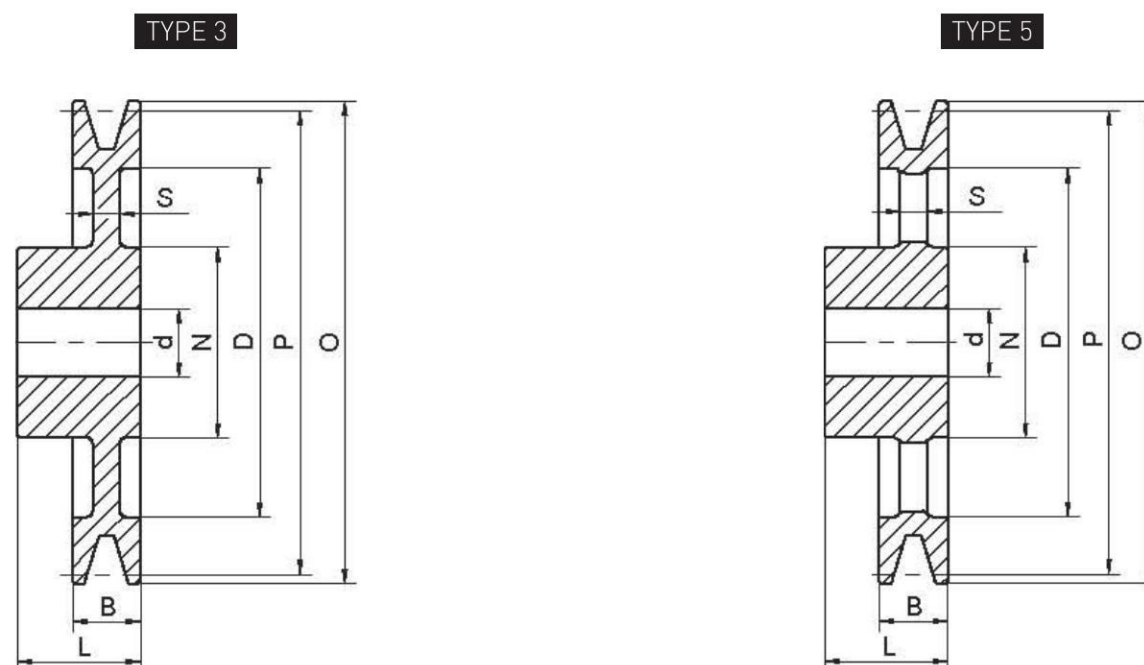


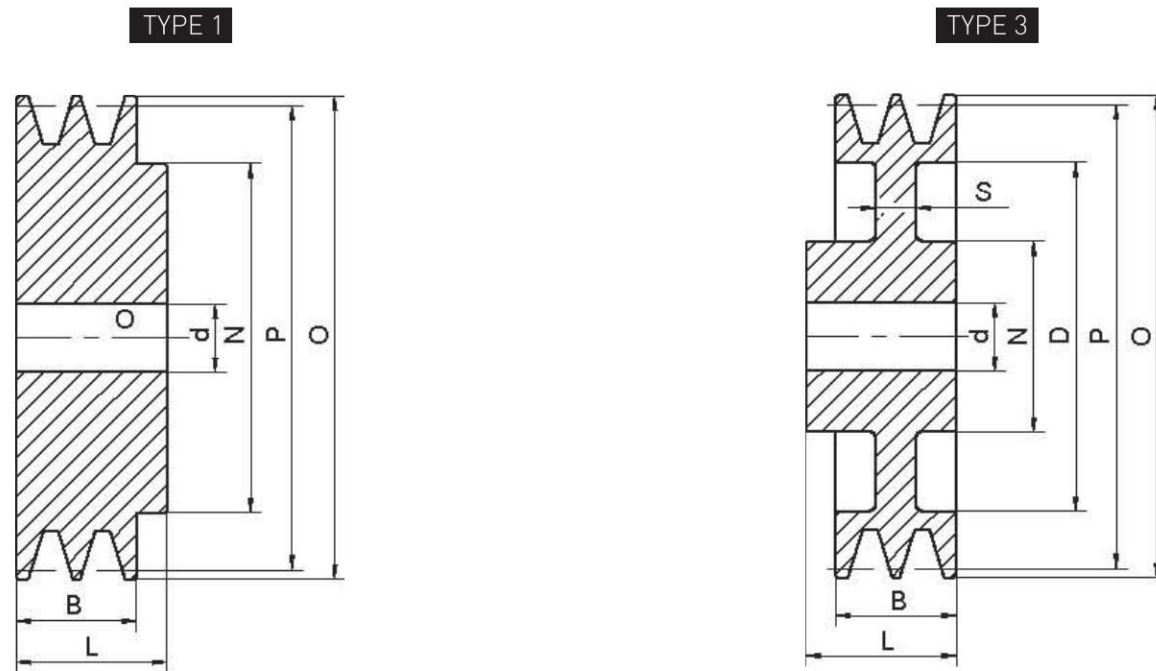
SPA/1

Product Model	P	O	Grooves	N	L	D	S	B	TYPE	d (H9)	Weight (Kg)
SPA40-1	40	45,5	1	40	35			20	1	10	0.26
SPA50-1	50	55,5	1	40	35			20	1	10	0.35
SPA56-1	56	61,5	1	40	35			20	1	10	0.41
SPA60-1	60	65,5	1	40	35			20	1	10	0.46
SPA63-1	63	68,5	1	40	35			20	1	10	0.49
SPA67-1	67	72,5	1	40	40			20	1	10	0.55
SPA70-1	70	75,5	1	40	40			20	1	10	0.68
SPA71-1	71	76,5	1	40	40			20	1	10	0.65
SPA75-1	75	80,5	1	40	40			20	1	10	0.70
SPA80-1	80	85,5	1	45	40			20	1	10	0.84
SPA85-1	85	90,5	1	45	40			20	1	10	0.92
SPA90-1	90	95,5	1	45	40			20	1	10	1.02
SPA95-1	95	100,5	1	45	40			20	1	10	1.11
SPA100-1	100	105,5	1	48	40			20	1	10	1.25
SPA106-1	106	111,5	1	48	40			20	1	10	1.37
SPA112-1	112	117,5	1	48	40			20	1	10	1.55
SPA118-1	118	123,5	1	60	40			20	1	15	1.76
SPA120-1	120	125,5	1	60	40			20	1	15	1.86
SPA125-1	125	130,5	1	60	40			20	1	15	2.06
SPA130-1	130	135,5	1	60	40			20	1	15	2.12
SPA132-1	132	137,5	1	60	40			20	1	15	2.20
SPA140-1	140	145,5	1	60	40	107	10	20	3	15	1.98
SPA150-1	150	155,5	1	60	40	117	10	20	3	15	2.18
SPA160-1	160	165,5	1	60	40	127	10	20	3	15	2.36
SPA170-1	170	175,5	1	60	40	137	10	20	3	15	2.57
SPA180-1	180	185,5	1	65	40	147	10	20	3	20	2.85
SPA190-1	190	195,5	1	65	40	157	10	20	3	20	2.31
SPA200-1	200	205,5	1	65	45	167	10	20	3	20	3.45
SPA212-1	212	217,5	1	65	40	179	10	20	3	20	3.62
SPA224-1	224	229,5	1	65	45	192	10	20	3	20	4.00
SPA225-1	225	230,5	1	65	45	193	10	20	3	20	4.07



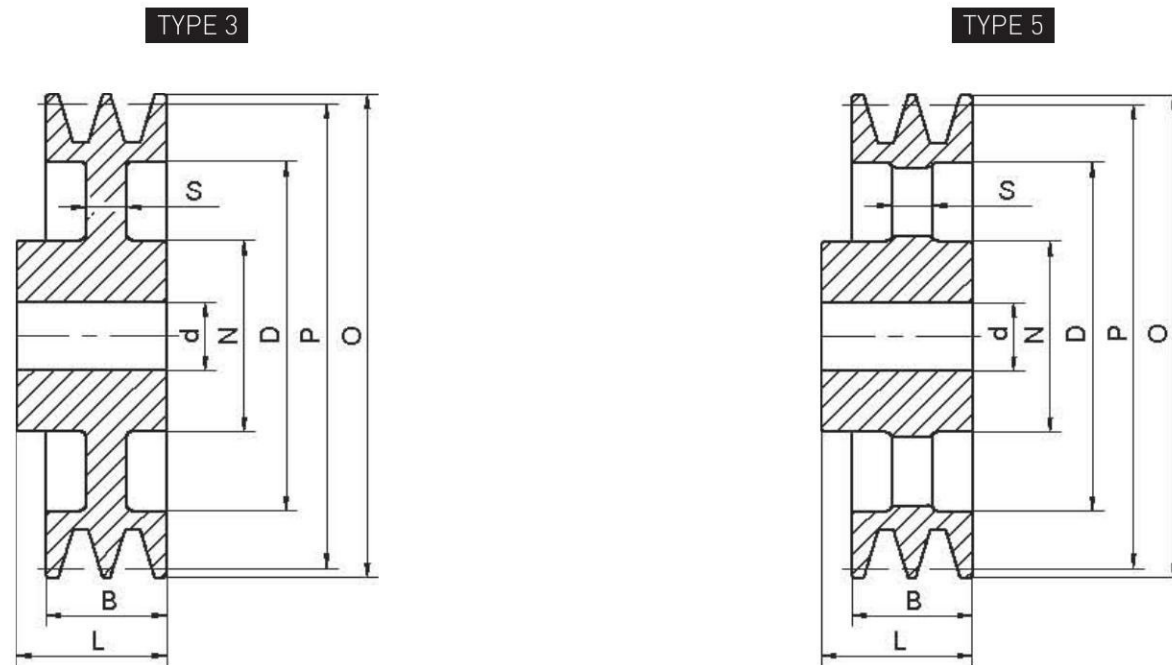
SPA/1

Product Model	P	O	Grooves	N	L	D	S	B	TYPE	d (H9)	Weight (Kg)
SPA236-1	236	241.5	1	70	45	204	12	20	3	20	4.83
SPA250-1	250	255.5	1	75	50	217	12	20	3	20	5.69
SPA280-1	280	285.5	1	75	50	247	14	20	5	20	4.46
SPA300-1	300	305.5	1	75	50	267	14	20	5	20	4.99
SPA315-1	315	320.5	1	75	50	282	14	20	5	20	5.55
SPA355-1	355	360.5	1	75	50	322	14	20	5	20	6.50
SPA400-1	400	405.5	1	90	50	367	14	20	5	20	8.50
SPA450-1	450	455.5	1	90	50	417	14	20	5	20	9.40
SPA500-1	500	505.5	1	90	50	467	14	20	5	20	10.50
SPA560-1	560	565.5	1	100	50	527	15	20	5	25	12.70
SPA600-1	600	605.5	1	100	50	567	16	20	5	25	14.35
SPA630-1	630	635.5	1	100	50	597	16	20	5	25	13.50



SPA/2

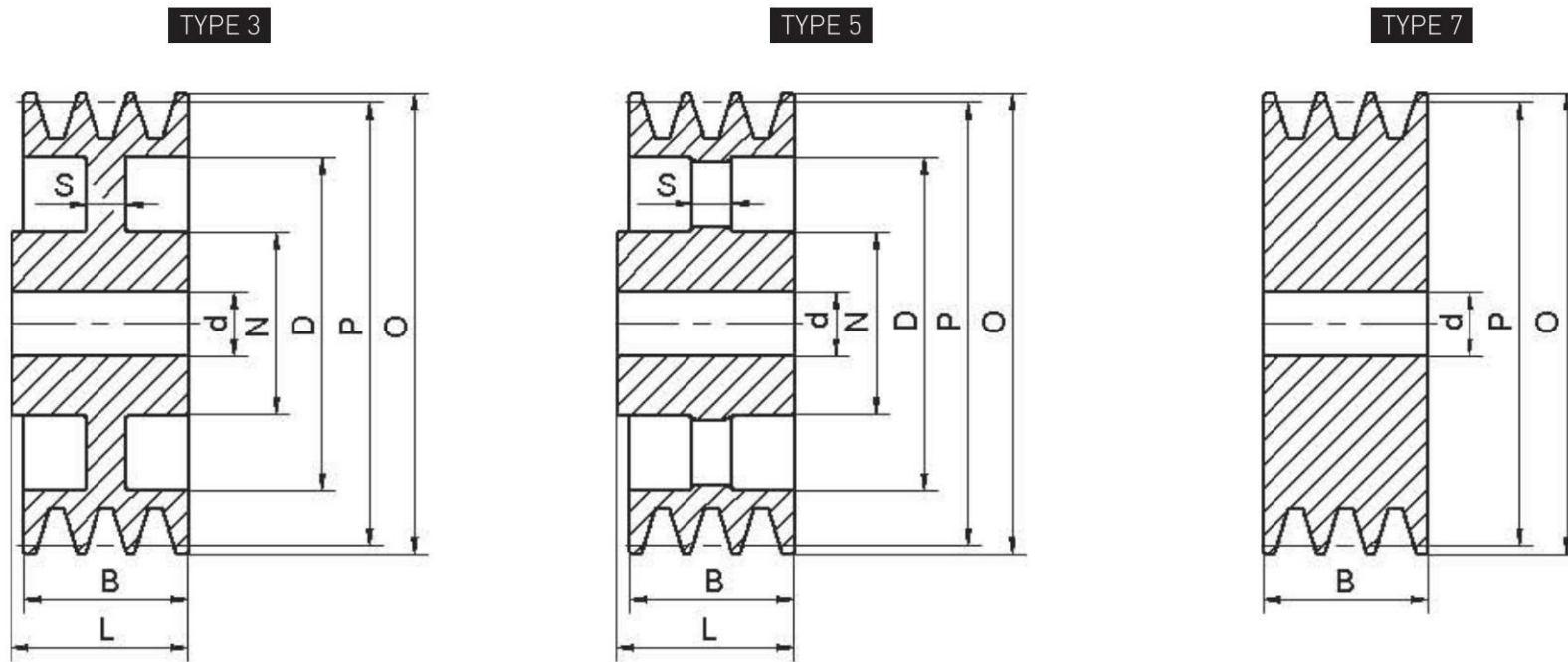
Product Model	P	O	Grooves	N	L	D	S	B	TYPE	d (H9)	Weight (Kg)
SPA50-2	50	55,5	2	40	45			35	1	10	0.44
SPA56-2	56	61,5	2	40	45			35	1	10	0.55
SPA60-2	60	65,5	2	40	45			35	1	10	0.60
SPA63-2	63	68,5	2	40	45			35	1	10	0.68
SPA65-2	65	70,5	2	40	45			35	1	10	0.74
SPA67-2	67	72,5	2	40	45			35	1	10	0.78
SPA70-2	70	75,5	2	50	45			35	1	10	0.91
SPA71-2	71	76,5	2	50	45			35	1	10	0.93
SPA75-2	75	80,5	2	50	45			35	1	10	1.05
SPA80-2	80	85,5	2	50	45			35	1	10	1.17
SPA85-2	85	90,5	2	50	45			35	1	10	1.32
SPA90-2	90	95,5	2	60	45			35	1	15	1.50
SPA95-2	95	100,5	2	60	45			35	1	15	1.67
SPA100-2	100	105,5	2	60	45			35	1	15	1.84
SPA106-2	106	111,5	2	60	45			35	1	15	2.07
SPA112-2	112	117,5	2	60	45			35	1	15	2.30
SPA118-2	118	123,5	2	60	45			35	1	15	2.56
SPA120-2	120	125,5	2	60	45			35	1	15	2.68
SPA125-2	125	130,5	2	60	45			35	1	15	2.94
SPA132-2	132	137,5	2	60	45			35	1	15	3.25
SPA140-2	140	145,5	2	60	45	107	10	35	3	15	2.57
SPA150-2	150	155,5	2	60	45	117	10	35	3	15	2.80
SPA160-2	160	165,5	2	60	45	127	10	35	3	15	3.02
SPA170-2	170	175,5	2	60	45	137	10	35	3	15	3.30
SPA180-2	180	185,5	2	70	50	147	12	35	3	20	4.07
SPA190-2	190	195,5	2	70	50	157	12	35	3	20	4.40
SPA200-2	200	205,5	2	70	50	167	12	35	3	20	4.74
SPA212-2	212	217,5	2	70	50	179	12	35	3	20	5.06
SPA224-2	224	229,5	2	70	50	192	12	35	3	20	5.49
SPA225-2	225	230,5	2	70	50	193	12	35	3	20	5.54
SPA236-2	236	241,5	2	70	50	204	12	35	3	20	5.89



PILOT BORED
V-BELT PULLEYS

SPA/2

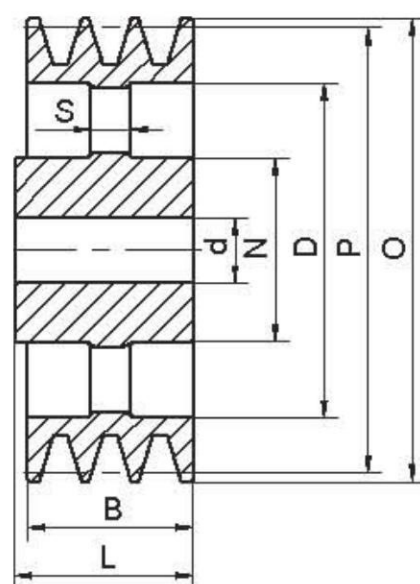
Product Model	P	O	Grooves	N	L	D	S	B	TYPE	d (H9)	Weight (Kg)
SPA250-2	250	255,5	2	75	50	217	12	35	3	20	6.60
SPA280-2	280	285.5	2	80	50	247	14	35	5	20	5.92
SPA300-2	300	305.5	2	80	50	267	14	35	5	20	6.48
SPA315-2	315	320.5	2	80	50	282	14	35	5	20	6.94
SPA355-2	355	360.5	2	80	50	322	14	35	5	20	8.30
SPA400-2	400	405.5	2	90	50	367	14	35	5	20	10.50
SPA450-2	450	455.5	2	100	50	417	14	35	5	25	12.00
SPA500-2	500	505.5	2	100	50	467	16	35	5	25	14.00
SPA560-2	560	565.5	2	100	50	527	18	35	5	25	16.00
SPA630-2	630	635.5	2	110	50	597	18	35	5	25	21.00



SPA/3

Product Model	P	O	Grooves	N	L	D	S	B	TYPE	d (H9)	Weight (Kg)
SPA50-3	50	55.5	3					50	7	10	0.49
SPA56-3	56	61.5	3					50	7	10	0.64
SPA60-3	60	65.5	3					50	7	10	0.75
SPA63-3	63	68.5	3					50	7	10	0.84
SPA65-3	65	70.5	3					50	7	10	0.91
SPA67-3	67	72.5	3					50	7	10	1.00
SPA70-3	70	75.5	3					50	7	10	1.08
SPA71-3	71	76.5	3					50	7	10	1.10
SPA75-3	75	80.5	3					50	7	10	1.24
SPA80-3	80	85.5	3					50	7	15	1.41
SPA85-3	85	90.5	3					50	7	15	1.62
SPA90-3	90	95.5	3					50	7	15	1.84
SPA95-3	95	100.5	3					50	7	15	2.07
SPA100-3	100	105.5	3					50	7	15	2.32
SPA106-3	106	111.5	3					50	7	15	2.64
SPA112-3	112	117.5	3					50	7	15	3.02
SPA118-3	118	123.5	3					50	7	15	3.34
SPA120-3	120	125.5	3					50	7	15	3.50
SPA125-3	125	130.5	3					50	7	15	3.88
SPA132-3	132	137.5	3					50	7	15	4.33
SPA140-3	140	145.5	3	65	52	107	18	50	3	20	3.60
SPA150-3	150	155.5	3	65	52	117	18	50	3	20	3.95
SPA160-3	160	165.5	3	70	52	127	18	50	3	20	4.45
SPA170-3	170	175.5	3	70	52	137	18	50	3	20	4.94
SPA180-3	180	185.5	3	70	52	147	12	50	3	20	4.72
SPA190-3	190	195.5	3	70	52	157	12	50	3	20	5.10
SPA200-3	200	205.5	3	70	52	167	12	50	3	20	5.42
SPA224-3	224	229.5	3	80	52	192	12	50	3	20	6.66
SPA225-3	225	230.5	3	80	52	193	12	50	3	20	6.72
SPA230-3	230	241.5	3	80	52	204	12	50	3	20	7.20
SPA250-3	250	255.5	3	80	60	217	12	50	3	20	8.11
SPA280-3	280	285.5	3	80	60	247	14	50	5	20	7.30

TYPE 5



SPA/3

Product Model	P	O	Grooves	N	L	D	S	B	TYPE	d (H9)	Weight (Kg)
SPA300-3	300	305,5	3	80	60	267	14	50	5	20	7.96
SPA315-3	315	320,5	3	90	60	282	14	50	5	20	8.92
SPA355-3	355	360,5	3	90	60	322	14	50	5	20	11.00
SPA400-3	400	405,5	3	100	60	367	16	50	5	25	13.00
SPA450-3	450	455,5	3	100	60	417	16	50	5	25	15.00
SPA500-3	500	505,5	3	105	60	467	20	50	5	25	18.60
SPA560-3	560	565,5	3	120	65	527	20	50	5	25	23.00
SPA630-3	630	635,5	3	120	65	597	20	50	5	25	26.70

TYPE 2

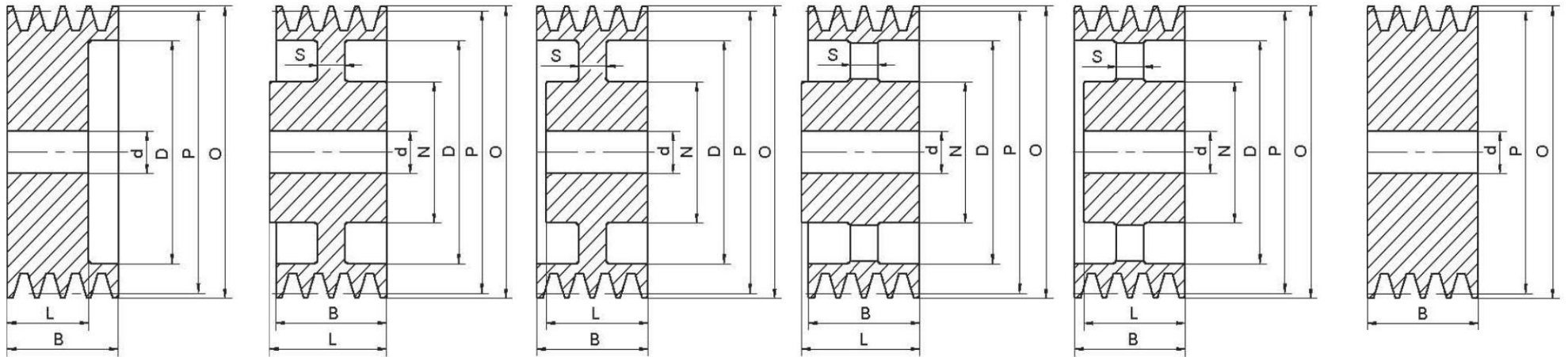
TYPE 3

TYPE 4

TYPE 5

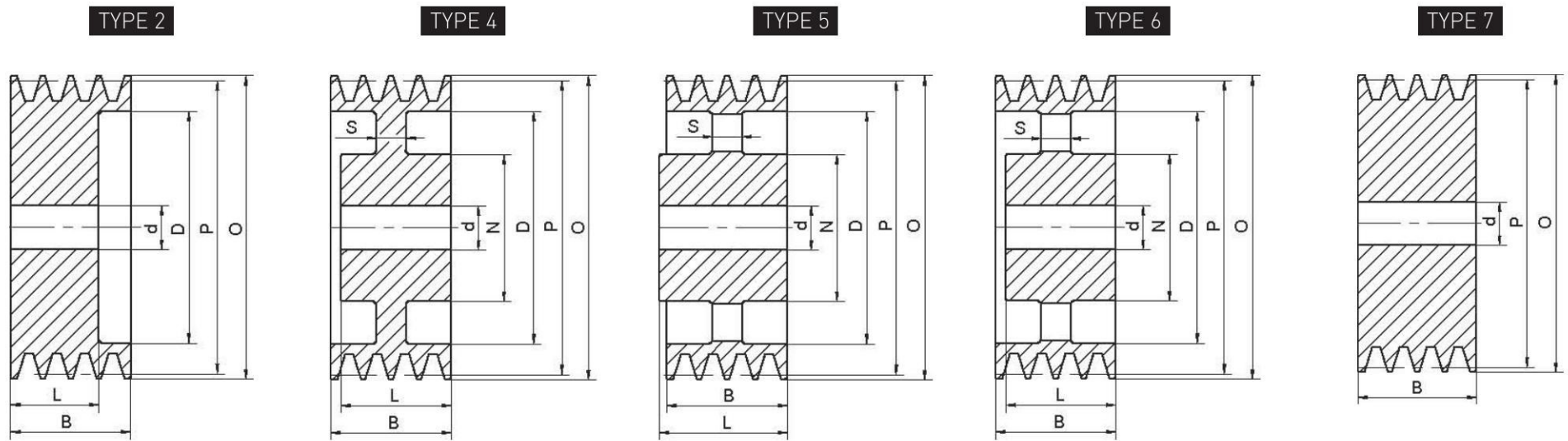
TYPE 6

TYPE 7



SPA/4

Product Model	P	O	Grooves	N	L	D	S	B	TYPE	d (H9)	Weight (Kg)
SPA63-4	63	68.5	4					65	7	10	1.07
SPA71-4	71	76.5	4					65	7	10	1.42
SPA75-4	75	80.5	4					65	7	10	1.58
SPA80-4	80	85.5	4					65	7	15	1.81
SPA85-4	85	90.5	4					65	7	15	2.08
SPA90-4	90	95.5	4					65	7	15	2.38
SPA95-4	95	100.5	4					65	7	15	2.67
SPA100-4	100	105.5	4		52	67		65	2	15	2.67
SPA112-4	112	117.5	4		52	79		65	2	15	3.60
SPA118-4	118	123.5	4		52	87		65	2	15	3.76
SPA125-4	125	130.5	4		52	97		65	2	15	4.29
SPA132-4	132	137.5	4		52	97		65	2	15	4.95
SPA140-4	140	145.5	4		52	107		65	2	20	5.50
SPA150-4	150	155.5	4		52	117		65	2	20	6.29
SPA160-4	160	165.5	4	70	52	127	18	65	4	20	5.33
SPA170-4	170	175.5	4	80	52	137	18	65	4	20	5.79
SPA180-4	180	185.5	4	80	60	147	18	65	4	20	6.93
SPA190-4	190	195.5	4	80	60	157	18	65	4	20	7.07
SPA200-4	200	205.5	4	80	60	167	18	65	4	20	7.55
SPA212-4	212	217.5	4	80	60	179	18	65	4	20	8.20
SPA224-4	224	229.5	4	90	60	192	18	65	4	20	9.10
SPA236-4	236	241.5	4	90	60	203	18	65	4	20	10.00
SPA250-4	250	255.5	4	90	65	217	18	65	3	20	11.08
SPA280-4	280	285.5	4	90	65	247	16	65	5	20	9.55
SPA300-4	300	305.5	4	90	65	267	16	65	5	20	10.22
SPA315-4	315	320.5	4	90	65	282	16	65	5	20	10.73
SPA355-4	355	360.5	4	90	65	322	16	65	5	25	12.67
SPA400-4	400	405.5	4	100	65	367	20	65	5	25	16.40
SPA450-4	450	455.5	4	105	65	417	20	65	6	25	18.00
SPA500-4	500	505.5	4	105	65	467	20	65	6	25	16.10
SPA560-4	560	565.5	4	120	65	527	22	65	5	25	26.50
SPA630-4	630	635.5	4	120	65	597	22	65	5	25	35.00

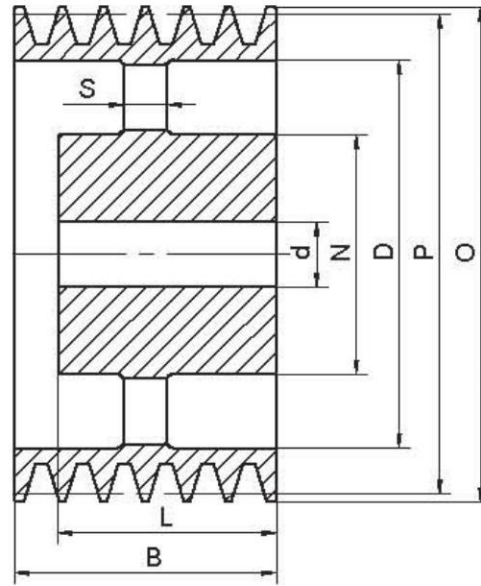


PILOT BORED
V-BELT PULLEYS

SPA/5

Product Model	P	O	Grooves	N	L	D	S	B	TYPE	d (H9)	Weight (Kg)
SPA63-5	63	68.5	5					80	7	10	1.00
SPA71-5	71	76.5	5					80	7	10	1.70
SPA75-5	75	80.5	5					80	7	10	2.20
SPA80-5	80	85.5	5					80	7	15	2.23
SPA85-5	85	90.5	5					80	7	15	2.55
SPA90-5	90	95.5	5					80	7	15	2.91
SPA95-5	95	100.5	5					80	7	15	2.94
SPA100-5	100	105.5	5		52	67		80	2	15	2.97
SPA112-5	112	117.5	5		52	79		80	2	15	3.77
SPA118-5	118	123.5	5		52	87		80	2	15	4.30
SPA125-5	125	130.5	5		52	92		80	2	15	4.78
SPA132-5	132	137.5	5		52	97		80	2	15	5.45
SPA140-5	140	145.5	5		52	107		80	2	20	6.30
SPA150-5	150	155.5	5		52	117		80	2	20	6.84
SPA160-5	160	165.5	5	80	52	127	22	80	4	20	6.12
SPA170-5	170	175.5	5	80	52	137	18	80	4	20	6.80
SPA180-5	180	185.5	5	80	65	147	22	80	4	20	7.70
SPA190-5	190	195.5	5	80	65	157	20	80	4	20	8.30
SPA200-5	200	205.5	5	80	65	167	20	80	4	20	8.72
SPA212-5	212	217.5	5	80	65	179	20	80	4	20	9.50
SPA224-5	224	229.5	5	90	65	192	20	80	4	20	10.50
SPA236-5	236	241.5	5	90	65	203	20	80	4	20	11.00
SPA250-5	250	255.5	5	90	65	217	20	80	4	20	11.50
SPA280-5	280	285.5	5	100	65	247	18	80	6	25	12.00
SPA300-5	300	305.5	5	100	65	267	18	80	6	25	12.24
SPA315-5	315	320.5	5	100	65	282	18	80	6	25	13.10
SPA355-5	355	360.5	5	100	65	322	18	80	6	25	15.20
SPA400-5	400	405.5	5	100	65	367	22	80	6	25	18.00
SPA450-5	450	455.5	5	105	65	417	22	80	6	25	21.40
SPA500-5	500	505.5	5	110	65	467	22	80	6	25	24.60
SPA560-5	560	565.5	5	120	80	527	24	80	5	25	28.00
SPA600-5	600	605.5	5	120	80	567	26	80	5	25	32.00
SPA630-5	630	635.5	5	120	80	597	24	80	5	25	35.00

TYPE 6



SPA/6

Product Model	P	O	Grooves	N	L	D	S	B	TYPE	d (H9)	Weight (Kg)
SPA560-6	560	565.5	6	120	80	527	26	95	6	25	32.00
SPA600-6	600	605.5	6	120	80	567	26	95	6	25	34.00
SPA630-6	630	635.5	6	120	80	597	26	95	6	25	36.00