

是众多链传动产品中应用最广、产量最多的基本链条产品，在农业领域一般多用于动力的传递等场合

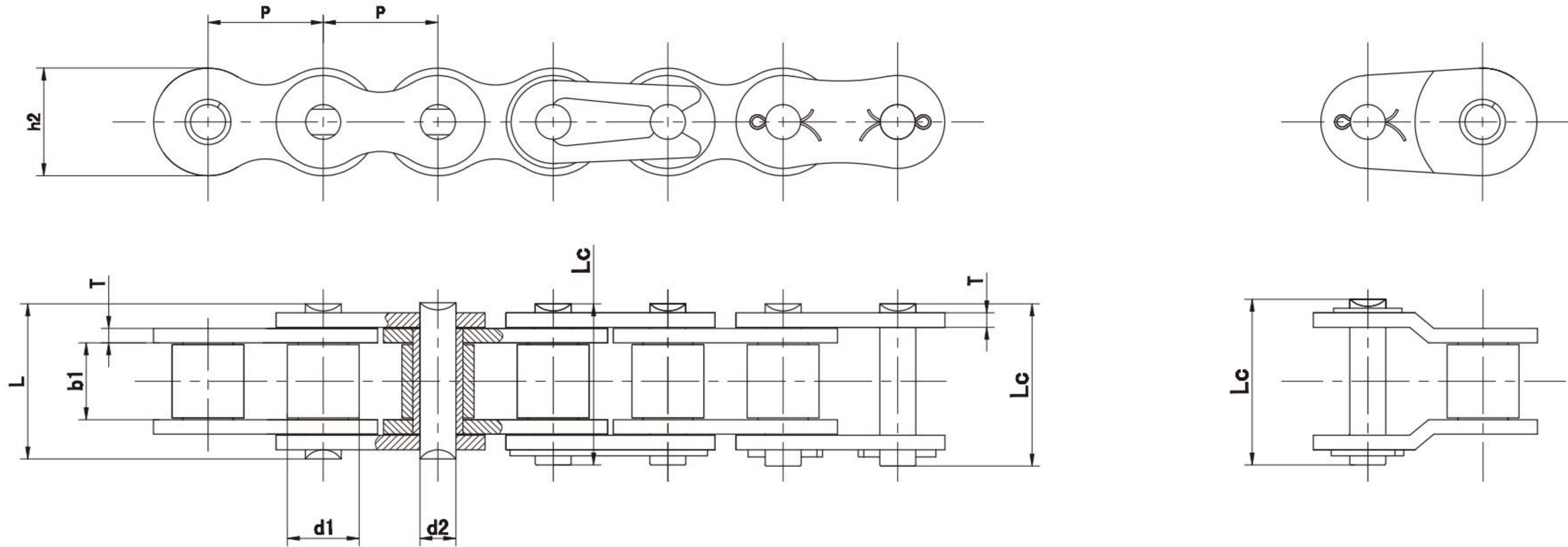
It is one of the most widely used and most yield up in basic chain products, and it is more commonly used for power transmission and other occasions in agricultural sector

**1 A系列短节距精密滚子链**

Short pitch precision roller chains (A series)

单排滚子链、套筒链

Simplex Roller Chain & Bushing Chains



DIN/ISO 链号 DIN/ISO Chain No.	ANSI 链号 ANSI Chain No.	节距 Pitch	滚子直径 Roller Diameter	内节内宽 Width between Inner Plates	销轴直径 Pin Diameter	销轴长度 Pin Length		内链板高度 Inner Plate Depth	链板厚度 Plate Thickness	极限拉伸载荷 Ultimate Tensile Strength	平均拉伸载荷 Average Tensile Strength	每米重量 Weight Per Meter
		p	d1 max	b1 min	d2 max	L max	Lc max	h2 max	T max	Q min	Q <sub>0</sub>	q
		mm	mm	mm	mm	mm	mm	mm	mm	kN/LB	kN	kg/m
*04C-1	*25	6.350	3.30	3.10	2.31	9.1	11.0	6.02	0.80	3.50/795	4.5	0.14
*06C-1	*35	9.525	5.08	4.68	3.60	13.2	14.17	9.05	1.30	7.90/1795	11.0	0.35
085-1	41	12.700	7.77	6.25	3.60	14.0	15.50	9.91	1.30	6.67/1516	12.3	0.40
08A-1	40	12.700	7.92	7.85	3.98	17.8	18.80	12.07	1.50	14.10/3205	17.9	0.65
10A-1	50	15.875	10.16	9.40	5.09	21.8	22.60	15.09	2.0	22.20/5045	29.3	1.03
12A-1	60	19.050	11.91	12.57	5.96	26.90	27.70	18.10	2.42	31.80/7227	42.0	1.53
16A-1	80	25.400	15.88	15.75	7.94	33.5	35.00	24.13	3.25	56.70/12886	72.3	2.61
20A-1	100	31.750	19.05	18.90	9.54	41.1	44.70	30.17	4.00	88.50/20114	110.5	3.90
24A-1	120	38.100	22.23	25.22	11.11	50.80	54.30	36.20	4.80	127.00/28864	157.0	5.60
28A-1	140	44.450	25.40	25.22	12.71	54.90	59.00	42.23	5.60	172.40/39182	213.2	7.52
32A-1	160	50.800	28.58	31.55	14.29	65.5	69.60	48.26	6.40	226.80/51545	279.0	10.08

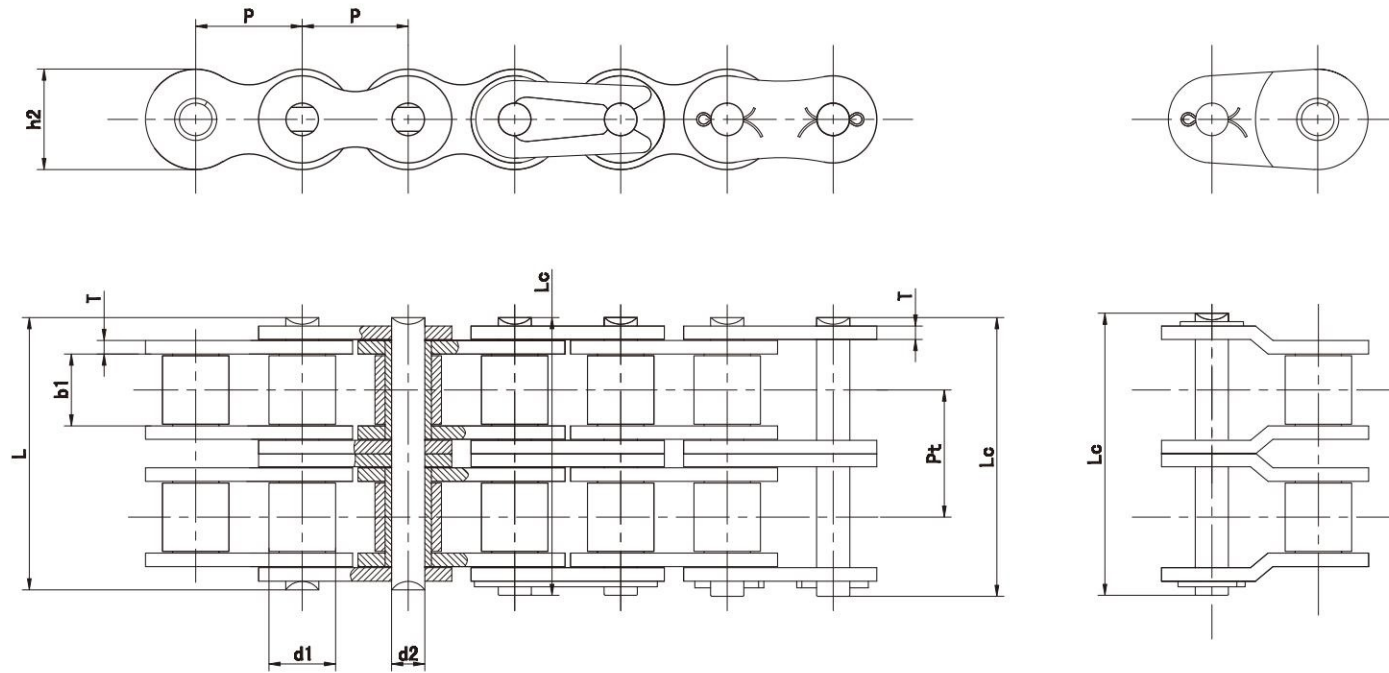
\*套筒链: 表中滚子直径d1为套筒直径。

\*Bushing Chain:d1 in the table indicates the external diameter of the bushing.



1 A系列短节距精密滚子链 Short pitch precision roller chains (A series)

双排滚子链、套筒链  
Duplex Roller Chain & Bushing Chains



DIN/ISO 链号 DIN/ISO Chain No.	ANSI 链号 ANSI Chain No.	节距 Pitch	滚子直径 Roller Diameter	内节内宽 Width between Inner Plates	销轴直径 Pin Diameter	销轴长度 Pin Length		内链板高度 Inner Plate Depth	链板厚度 Plate Thickness	排距 Transverse Pitch	极限拉伸载荷 Ultimate Tensile Strength	平均拉伸载荷 Average Tensile Strength	每米重量 Weight Per Meter
		p	d1 max	b1 min	d2 max	L max	Lc max	h2 max	T max	Pt	Q min	Q0	q
		mm	mm	mm	mm	mm	mm	mm	mm	mm	kN/LB	kN	kg/m
*04C-2	*25-2	6.350	3.30	3.10	2.31	15.5	16.0	6.02	0.80	6.40	7.00/1591	8.8	0.27
*06C-2	*35-2	9.525	5.08	4.68	3.60	23.4	24.3	9.05	1.30	10.13	15.80/3591	19.5	0.61
08A-2	40-2	12.700	7.92	7.85	3.98	31.0	34.2	12.07	1.50	14.38	28.20/6409	35.7	1.15
10A-2	50-2	15.875	10.16	9.40	5.09	39.9	42.0	15.09	2.0	18.11	44.40/10091	58.3	2.03
12A-2	60-2	19.050	11.91	12.57	5.96	49.8	51.5	18.10	2.42	22.78	63.60/14455	82.4	2.94
16A-2	80-2	25.400	15.88	15.75	7.94	62.7	64.3	24.13	3.25	29.29	113.40/257727	141.6	5.45
20A-2	100-2	31.750	19.05	18.90	9.54	77.0	80.5	30.17	4.00	35.76	177.00/40227	219.9	7.56
24A-2	120-2	38.100	22.23	25.22	11.11	96.3	99.7	36.20	4.80	45.44	254.00/57727	314.8	11.63
28A-2	140-2	44.450	25.40	25.22	12.71	103.6	110.9	42.23	5.60	48.87	344.80/78364	427.9	15.51
32A-2	160-2	50.800	28.58	31.55	14.29	124.2	128.1	48.26	6.40	58.55	453.60/103091	562.9	20.35

\*套筒链: 表中滚子直径d1为套筒直径。

\*Bushing Chain:d1 in the table indicates the external diameter of the bushing.

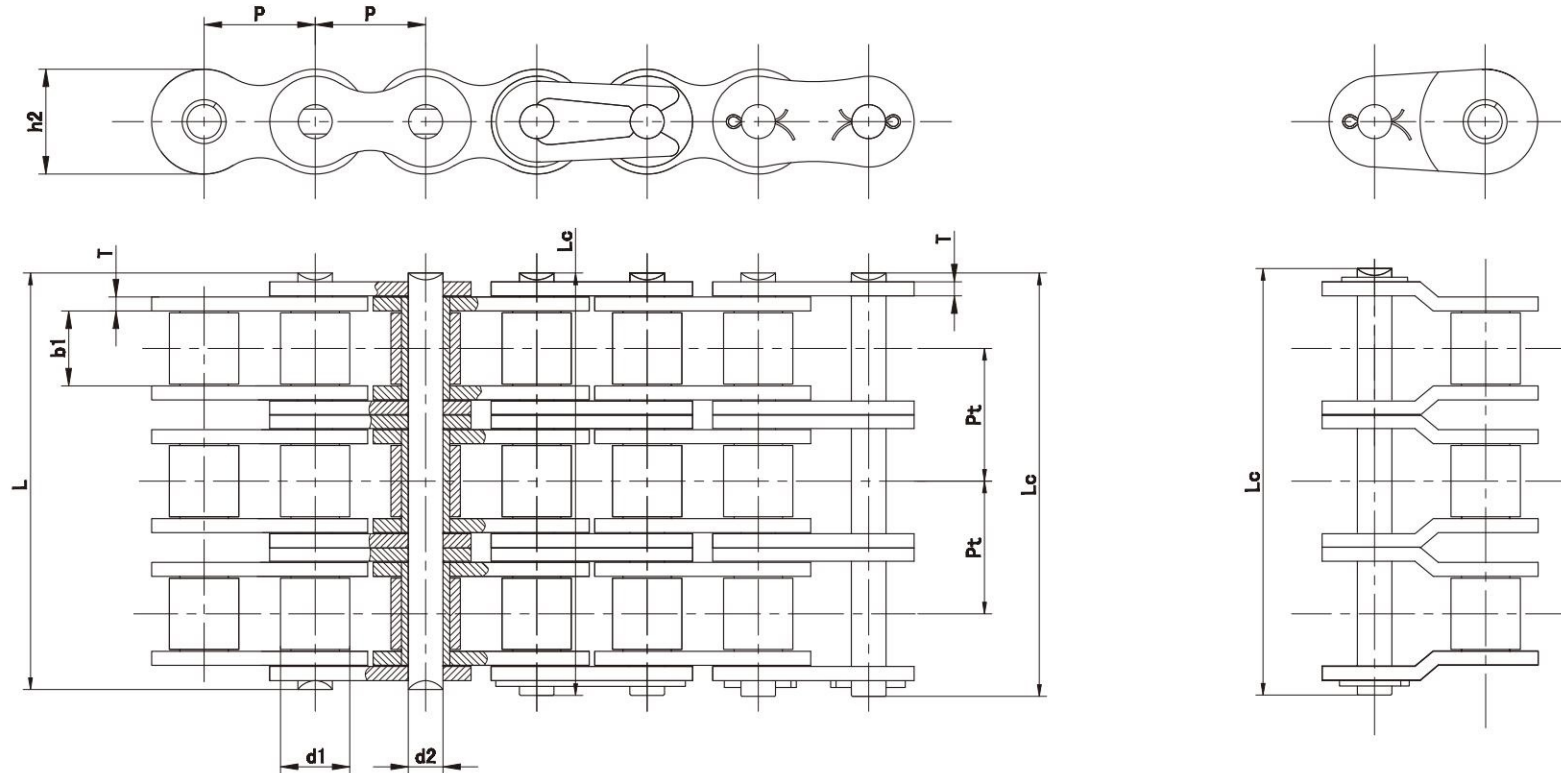


1 A系列短节距精密滚子链

Short pitch precision roller chains (A series)

三排滚子链、套筒链

Triplex Roller Chain & Bushing Chains



DIN/ISO 链号 DIN/ISO Chain No.	ANSI 链号 ANSI Chain No.	节距 Pitch	滚子直径 Roller Diameter	内节内宽 Width between Inner Plates	销轴直径 Pin Diameter	销轴长度 Pin Length	内链板高度 Inner Plate Depth	链板厚度 Plate Thickness	排距 Transverse Pitch	极限拉伸载荷 Ultimate Tensile Strength	平均拉伸载荷 Average Tensile Strength	每米重量 Weight Per Meter	
		p	d1 max	b1 min	d2 max	L max	Lc max	h2 max	T max	Pt	Q min	Q0	q
		mm	mm	mm	mm	mm	mm	mm	mm	mm	kN/LB	kN	kg/m
*04C-3	*25-3	6.350	3.30	3.18	2.31	21.0	21.5	6.00	0.80	6.40	10.5/2386	12.6	0.44
*06C-3	*35-3	9.525	5.08	4.77	3.58	32.7	33.5	9.05	1.30	10.13	23.7/5386	28.6	1.05
08A-3	40-3	12.700	7.95	7.85	3.96	45.4	46.6	12.07	1.50	14.38	42.3/9614	50.0	1.90
10A-3	50-3	15.875	10.16	9.40	5.08	57.0	58.5	15.09	2.03	18.11	66.6/15136	77.8	3.09
12A-3	60-3	19.050	11.91	12.57	5.94	71.5	73.3	18.00	2.42	22.78	95.4/21682	111.1	4.54
16A-3	80-3	25.400	15.88	15.75	7.92	91.7	93.6	24.10	3.25	29.29	170.1/38659	198.4	7.89
20A-3	100-3	31.750	19.05	18.90	9.53	112.2	116.3	30.10	4.00	35.76	265.5/60341	309.4	11.77
24A-3	120-3	38.100	22.23	25.22	11.10	141.4	145.2	36.10	4.80	45.44	381.0/86591	437.2	17.53
28A-3	140-3	44.450	25.40	25.22	12.70	152.2	156.8	41.00	5.60	48.87	517.2/117545	593.3	22.20
32A-3	160-3	50.800	28.58	31.55	14.29	181.8	186.6	48.00	6.40	58.55	680.4/154636	780.6	30.02

\*套筒链: 表中滚子直径d1为套筒直径。

\*Bushing Chain:d1 in the table indicates the external diameter of the bushing.