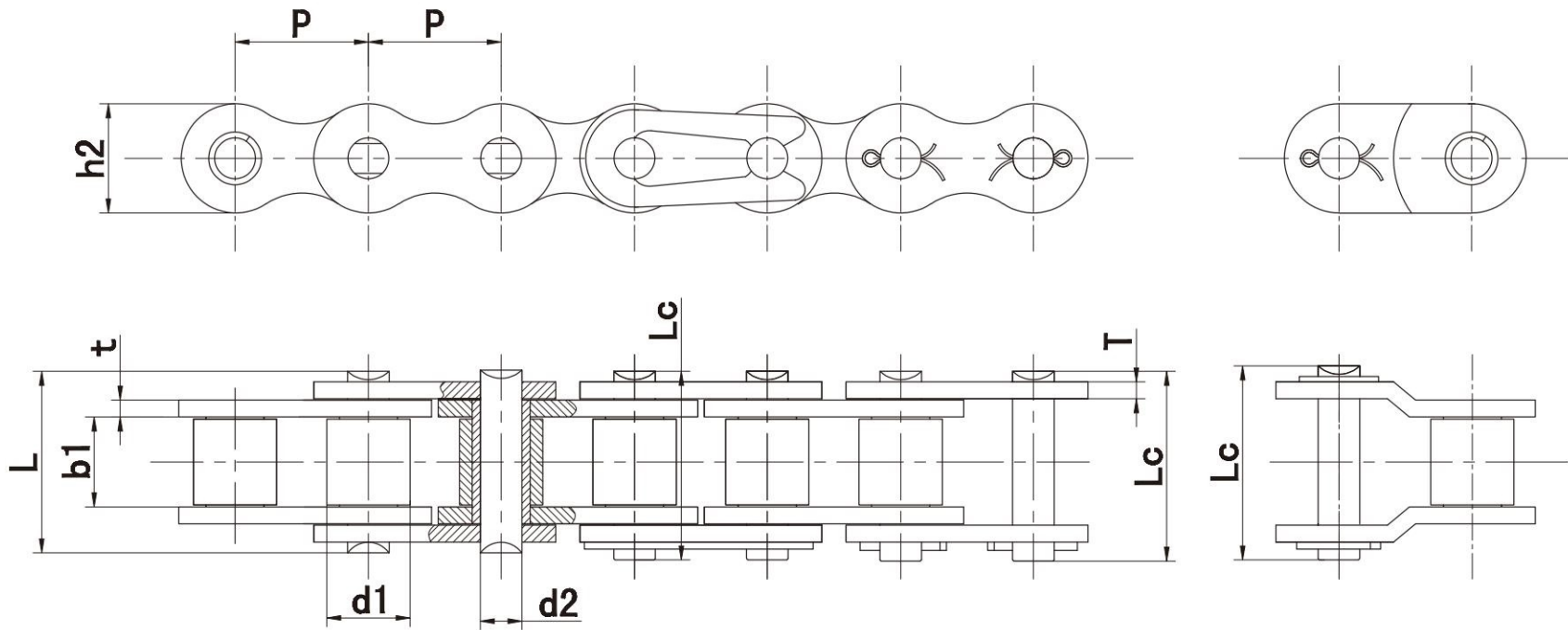


6 B系列短节距精密滚子链

short pitch precision roller chains(B series)

单排滚子链

Simplex Roller Chains



DIN/ISO 链号	节距 Pitch	滚子直径 Roller Diameter	内节内宽 Width between Inner Plates	销轴直径 Pin Diameter	销轴长度 Pin Length		内链板高度 Inner Plate Depth	链板厚度 Plate Thickness	极限拉伸载荷 Ultimate Tensile Strength	平均拉伸载荷 Average Tensile Strength	每米重量 Weight Per Meter
DIN/ISO Chain No.	p	d1 max	b1 min	d2 max	L max	Lc max	h2 max	t/T max	Q min	Q ₀	q
	mm	mm	mm	mm	mm	mm	mm	mm	kN/LB	kN	kg/m
04B-1	6.000	4.00	2.80	1.85	6.80	7.8	5.05	0.60	3.0/682	3.5	0.14
05B-1	8.000	5.00	3.00	2.31	8.60	9.2	7.11	0.80	5.0/1136	6.4	0.17
*06B-1	9.525	6.35	5.72	3.28	13.5	14.1	8.26	1.30	9.0/2045	10.8	0.42
08B-1	12.700	8.51	7.75	4.45	17.0	18.2	11.81	1.60	18.0/4091	19.9	0.73
10B-1	15.875	10.16	9.65	5.08	19.6	20.9	14.73	1.70	22.4/5091	27.1	0.96
12B-1	19.050	12.07	11.68	5.72	22.7	24.2	16.13	1.85	29.0/6591	32.7	1.13
16B-1	25.400	15.88	17.02	8.28	36.1	37.4	21.08	4.0/3.0	60.0/13636	73.2	2.74
20B-1	31.750	19.05	19.56	10.19	43.2	45.0	26.42	4.5/3.5	95.0/21591	107.3	3.76
24B-1	38.100	25.40	25.40	14.63	53.4	57.8	33.40	6.0/4.8	160.0/36364	178.3	7.13
28B-1	44.450	27.94	30.99	15.90	65.1	69.5	37.08	7.5/6.0	200.0/45455	222.5	8.54
32B-1	50.800	29.21	30.99	17.81	67.4	71.0	42.29	7.0/6.0	250.0/56818	277.6	10.27

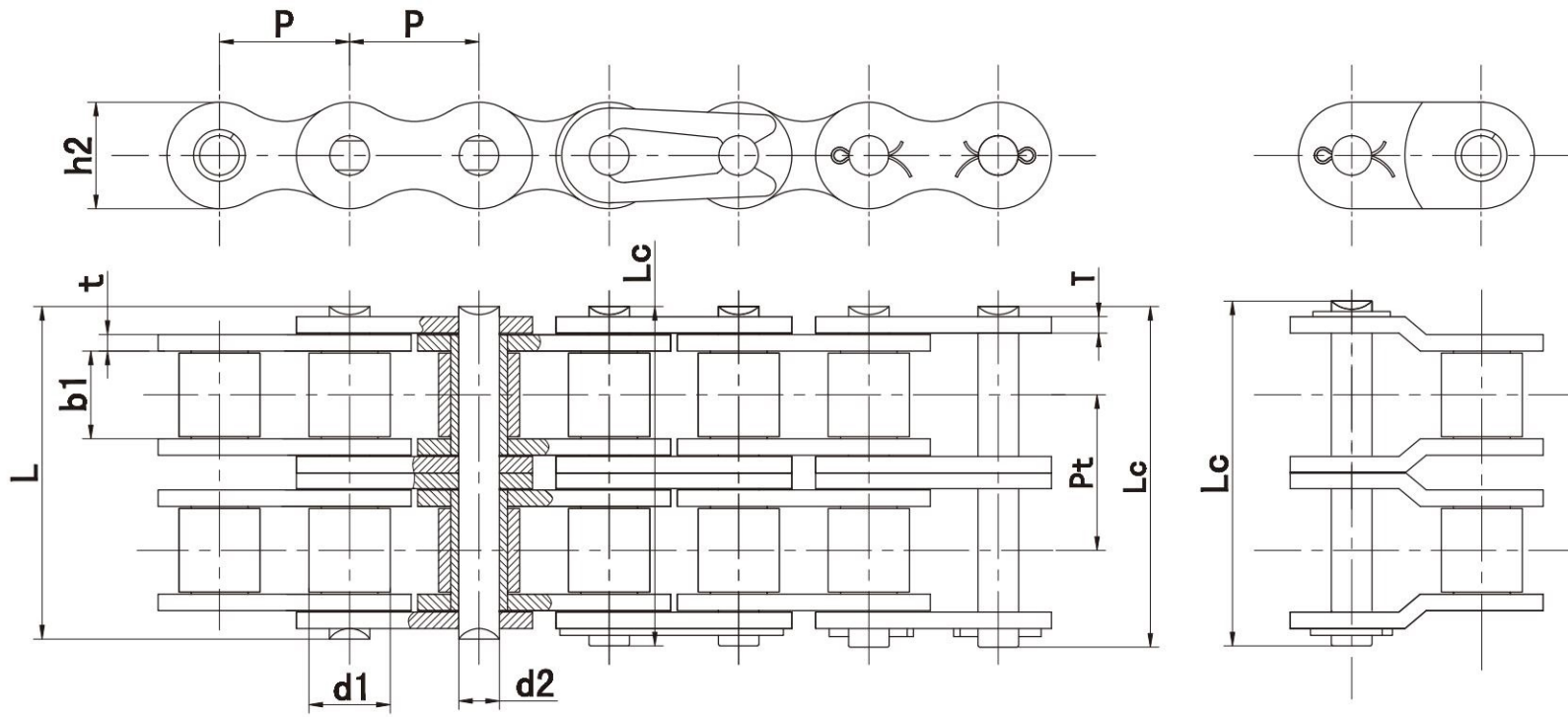
*套筒链: 表中滚子直径d1为套筒直径。

*Bushing Chain:d1 in the table indicates the external diameter of the bushing.

6 B系列短节距精密滚子链

short pitch precision roller chains(B series)

双排滚子链
Duplex Roller Chains



DIN/ISO 链号	节距 Pitch	滚子直径 Roller Diameter	内节内宽 Width between Inner Plates	销轴直径 Pin Diameter	销轴长度 Pin Length		内链板高度 Inner Plate Depth	链板厚度 Plate Thickness	排距 Transverse Pitch	极限拉伸载荷 Ultimate Tensile Strength	平均拉伸载荷 Average Tensile Strength	每米重量 Weight Per Meter
DIN/ISO Chain No.	p	d1 max	b1 min	d2 max	L max	Lc max	h2 max	t/T max	Pt	Q min	Q0	q
	mm	mm	mm	mm	mm	mm	mm	mm	mm	kN/LB	kN	kg/m
05B-2	8.000	5.00	3.00	2.31	14.3	14.5	7.11	0.80	5.64	7.8/1773	10.4	0.36
*06B-2	9.525	6.35	5.72	3.28	23.8	24.4	8.26	1.30	10.24	16.9/3841	18.3	0.79
08B-2	12.700	8.51	7.75	4.45	31.0	32.2	11.81	1.60	13.92	32.0/7273	28.4	1.32
10B-2	15.875	10.16	9.65	5.08	36.2	37.5	14.73	1.70	16.59	44.5/10114	56.5	1.88
12B-2	19.050	12.07	11.68	5.72	42.2	43.6	16.13	1.85	19.46	57.8/13136	66.3	2.38
16B-2	25.400	15.88	17.02	8.28	68.0	69.3	21.08	4.0/3.0	31.88	106.0/24091	133.4	5.41
20B-2	31.750	19.05	19.56	10.19	79.7	81.5	26.42	4.5/3.5	36.45	170.0/38636	210.9	7.27
24B-2	38.100	25.40	25.40	14.63	101.8	106.2	33.40	6.0/4.8	48.36	280.0/63636	318.1	13.48
28B-2	44.450	27.94	30.99	15.90	124.7	129.1	37.08	7.5/6.0	59.56	360.0/81818	407.3	16.65
32B-2	50.800	29.21	30.99	17.81	126.0	129.6	42.29	7.0/6.0	58.55	450.0/102273	508.1	21.04

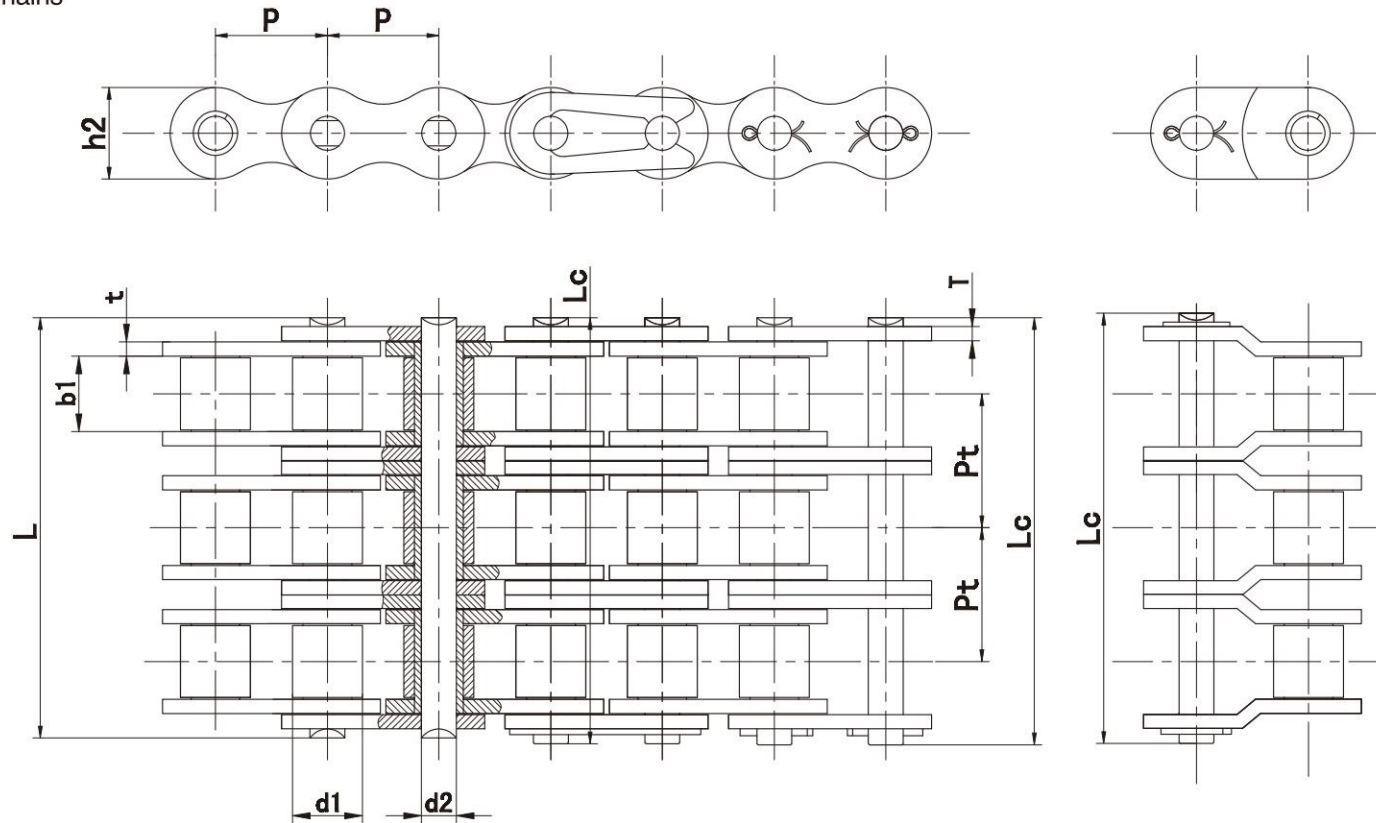
*套筒链: 表中滚子直径d1为套筒直径。

*Bushing Chain:d1 in the table indicates the external diameter of the bushing.

6 B系列短节距精密滚子链

short pitch precision roller chains(B series)

三排滚子链
Triplex Roller Chains



DIN/ISO 链号	节距 Pitch	滚子直径 Roller Diameter	内节内宽 Width between Inner Plates	销轴直径 Pin Diameter	销轴长度 Pin Length		内链板高度 Inner Plate Depth	链板厚度 Plate Thickness	排距 Transverse Pitch	极限拉伸载荷 Ultimate Tensile Strength	平均拉伸载荷 Average Tensile Strength	每米重量 Weight Per Meter
DIN/ISO Chain No.	p	d1 max	b1 min	d2 max	L max	Lc max	h2 max	t* T max	Pt	Q min	Q0	q
	mm	mm	mm	mm	mm	mm	mm	mm	mm	kN/LB	kN	kg/m
05B-3	8.000	5.00	3.00	2.31	19.5	20.2	7.10	0.80	5.64	11.1/2523	13.8	0.48
*06B-3	9.525	6.35	5.72	3.28	33.5	34.6	8.20	1.30	10.24	24.9/5659	30.1	1.16
08B-3	12.700	8.51	7.75	4.45	45.1	46.1	11.80	1.60	13.92	47.5/120795	57.8	2.03
10B-3	15.875	10.16	9.65	5.08	52.7	54.1	14.70	1.70	16.59	66.7/15159	84.5	2.77
12B-3	19.050	12.07	11.68	5.72	61.5	63.1	16.00	1.85	19.46	86.7/19705	101.8	3.46
16B-3	25.400	15.88	17.02	8.28	99.8	101.2	21.00	4.15/3.1	31.88	160.0/36364	203.7	8.13
20B-3	31.750	19.05	19.56	10.19	114.2	117.9	26.40	4.5/3.5	36.45	2500.0/56818	290.0	10.82
24B-3	38.100	25.40	25.40	14.63	150.1	154.6	33.20	6.0/4.8	48.36	425.0/96591	493.0	20.10
28B-3	44.450	27.94	30.99	15.90	184.2	188.78	36.70	7.5/6.0	59.56	530.0/120454	609.5	24.92
32B-3	50.800	29.21	30.99	17.81	183.2	188.2	42.00	7.0/6.0	58.55	670.0/152273	770.5	31.56

*套筒链: 表中滚子直径d1为套筒直径。

*Bushing Chain:d1 in the table indicates the external diameter of the bushing.