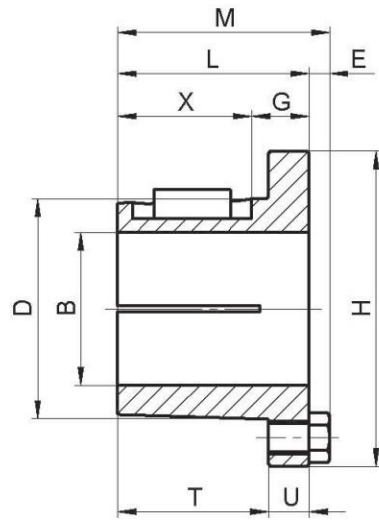


Standard Keyseats

Table No.1

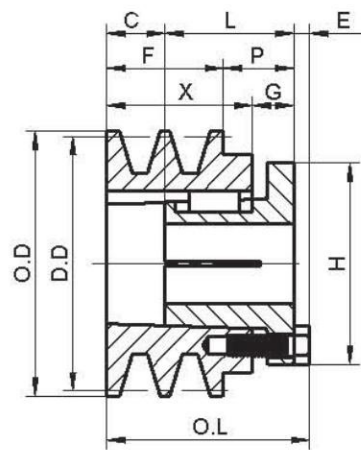
Bore Range	Keyseat
1/2" – 9/16"	1/8" × 1/16"
5/8 – 7/8	3/16 × 3/32
15/16 – 1 1/4	1/4 × 1/8
1 5/16 – 1 3/8	5/16 × 5/32
1 7/16 – 1 3/4	3/8 × 3/16
1 13/16 – 2 1/4	1/2 × 1/4
2 5/16 – 2 11/16	5/8 × 5/16

1 3/8 Bore Bushings also available with 3/8"x3/16" Keyseat.

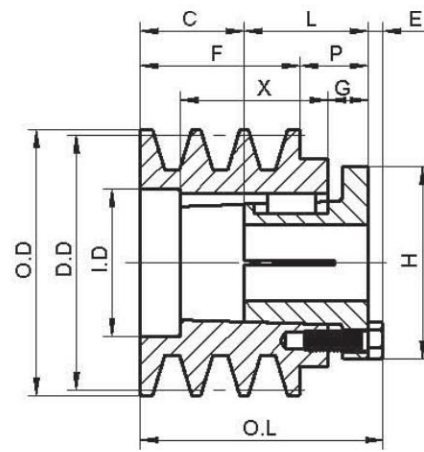


Part No.	Dimension									Bore Range	Wt .Lbs.
	M	L	G	X	E	T	U	D	H		
P1	2 3/16"	1 15/16"	5/8"	1 5/16"	1/4"	1 17/32"	13/32"	1 15/16"	3"	1/2"-1 3/4"	1 1/4
P2	3 3/16"	2 15/16"	5/8"	2 5/16"	1/4"	2 17/32"	13/32"	1 15/16"	3"	3/4-1 3/4"	1 1/2
Q1	2 25/32"	2 1/2"	3/4"	1 3/4"	9/32"	1 31/32"	17/32"	2 7/8"	4 1/8"	3/4-2 11/16"	3 1/2

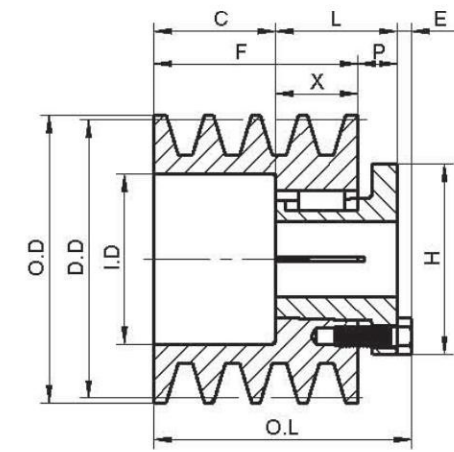
TYPE 2



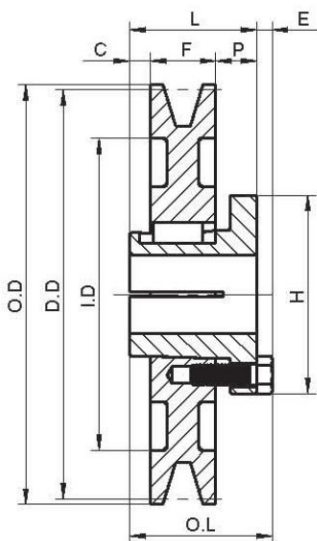
TYPE 3



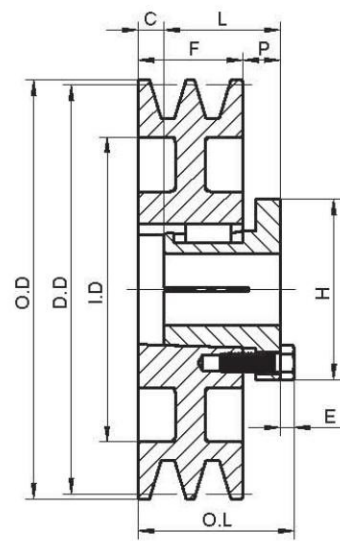
TYPE 5



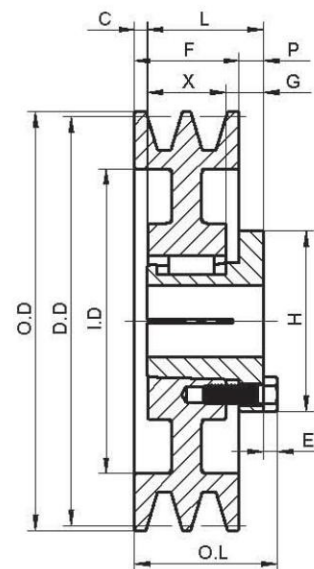
TYPE 10



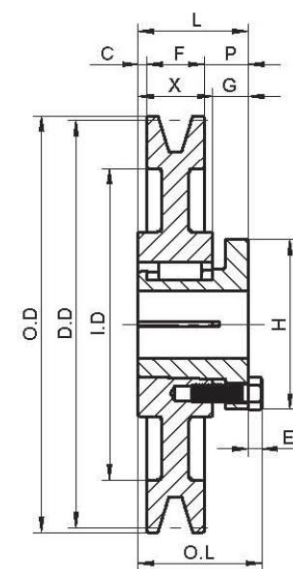
TYPE 11



TYPE 13



TYPE 16



TA/TB/TC series

Table No.1 Specifications—Stock "TA" Sheaves

Part No.	Bushing	Type	DIAMETERS			1 GROOVE, F = 3/4"									Wt. Less Bush.
			Datum "A"	Outside	Inside	Dimensions									
						O.L.	L	P	C	H	G	X	E		
1TA30	P1	2	3.0"	3.25	—	2 3/16	1 15/16	1 3/16	0	3	5/8	1 5/16	1/4	1.34	
1TA32	P1	2	3.2	3.45	—	2 3/16	1 15/16	1 3/16	0	3	5/8	1 5/16	1/4	1.63	
1TA34	P1	2	3.4	3.65	—	2 3/16	1 15/16	1 3/16	0	3	5/8	1 5/16	1/4	1.83	
1TA36	P1	2	3.6	3.85	—	2 3/16	1 15/16	1 3/16	0	3	5/8	1 5/16	1/4	2.01	
1TA38	P1	2	3.8	4.05	—	2 3/16	1 15/16	1 3/16	0	3	5/8	1 5/16	1/4	2.23	
1TA40	P1	2	4.0	4.25	—	2 3/16	1 15/16	1 3/16	0	3	5/8	1 5/16	1/4	2.43	
1TA42	P1	10-Sol	4.2	4.45	—	2 3/16	1 15/16	5/8	9/16	3	—	—	1/4	1.83	
1TA44	P1	10-Sol	4.4	4.65	—	2 3/16	1 15/16	5/8	9/16	3	—	—	1/4	2.09	
1TA46	P1	10-Sol	4.6	4.85	—	2 3/16	1 15/16	5/8	9/16	3	—	—	1/4	2.31	
1TA48	P1	10-Sol	4.8	5.05	—	2 3/16	1 15/16	5/8	9/16	3	—	—	1/4	2.60	
1TA50	P1	10-Sol	5.0	5.25	—	2 3/16	1 15/16	5/8	9/16	3	—	—	1/4	2.89	
1TA52	P1	10-Sol	5.2	5.45	—	2 3/16	1 15/16	5/8	9/16	3	—	—	1/4	3.17	
1TA54	P1	10-Sol	5.4	5.65	—	2 3/16	1 15/16	5/8	9/16	3	—	—	1/4	3.48	
1TA56	P1	10-Sol	5.6	5.85	—	2 3/16	1 15/16	5/8	9/16	3	—	—	1/4	3.81	
1TA58	P1	10-Sol	5.8	6.05	—	2 3/16	1 15/16	5/8	9/16	3	—	—	1/4	4.14	
1TA60	P1	10-Web	6.0	6.25	4 18/25	2 3/16	1 15/16	5/8	9/16	3	—	—	1/4	3.57	
1TA62	P1	10-Web	6.2	6.45	4 15/16	2 3/16	1 15/16	5/8	9/16	3	—	—	1/4	3.81	
1TA64	P1	10-Web	6.4	6.65	5 3/16	2 3/16	1 15/16	5/8	9/16	3	—	—	1/4	4.03	
1TA70	P1	16-Arm	7.0	7.25	5 13/16	2 3/16	1 15/16	29/32	9/32	3	5/8	1 5/16	1/4	4.76	
1TA82	P1	16-Arm	8.2	8.45	6 15/16	2 3/16	1 15/16	29/32	9/32	3	5/8	1 5/16	1/4	5.64	
1TA90	P1	16-Arm	9.0	9.25	7 13/16	2 3/16	1 15/16	29/32	9/32	3	5/8	1 5/16	1/4	6.02	
1TA106	P1	16-Arm	10.6	10.85	9 3/8	2 3/16	1 15/16	29/32	9/32	3	5/8	1 5/16	1/4	7.56	
1TA120	Q1	16-Arm	12.0	12.25	10 13/16	2 25/32	2 1/2	1 1/4	1/2	4 1/8	3/4	1 3/4	9/32	11.99	
1TA150	Q1	16-Arm	15.0	15.25	13 13/16	2 25/32	2 1/2	1 1/4	1/2	4 1/8	3/4	1 3/4	9/32	14.55	
1TA180	Q1	16-Arm	18.0	18.25	16 13/16	2 25/32	2 1/2	1 1/4	1/2	4 1/8	3/4	1 3/4	9/32	18.30	
1TA195	Q1	16-Arm	19.5	19.75	18 1/4	2 25/32	2 1/2	1 1/4	1/2	4 1/8	3/4	1 3/4	9/32	20.28	
1TA245	Q1	16-Arm	24.5	24.75	23 1/4	2 25/32	2 1/2	1 1/4	1/2	4 1/8	3/4	1 3/4	9/32	28.66	

Table No.2

Part No.	Bushing	Type	DIAMETERS			2 GROOVES, F = 1 3/8"									Wt. Less Bush.
			Datum "A"	Outside	Inside	Dimensions									
						O.L.	L	P	C	H	G	X	E		
2TA30	P1	2	3.0"	3.25	—	2 13/16	1 15/16	1 3/16	5/8	3	5/8	1 15/16	1/4	1.85	
2TA32	P1	2	3.2	3.45	—	2 13/16	1 15/16	1 3/16	5/8	3	5/8	1 15/16	1/4	2.31	
2TA34	P1	2	3.4	3.65	—	2 13/16	1 15/16	1 3/16	5/8	3	5/8	1 15/16	1/4	2.62	
2TA36	P1	5	3.6	3.85	—	2 1/4	1 15/16	5/8	1/16	3	—	1 3/8	1/4	2.07	
2TA38	P1	5	3.8	4.05	—	2 1/4	1 15/16	5/8	1/16	3	—	1 3/8	1/4	2.45	
2TA40	P1	5	4.0	4.25	—	2 1/4	1 15/16	5/8	1/16	3	—	1 3/8	1/4	2.91	
2TA42	P1	5	4.2	4.45	—	2 1/4	1 15/16	5/8	1/16	3	—	1 3/8	1/4	3.31	
2TA44	P1	5	4.4	4.65	—	2 1/4	1 15/16	5/8	1/16	3	—	1 3/8	1/4	3.77	
2TA46	P1	5	4.6	4.85	—	2 1/4	1 15/16	5/8	1/16	3	—	1 3/8	1/4	4.23	
2TA48	P1	5	4.8	5.05	—	2 1/4	1 15/16	5/8	1/16	3	—	1 3/8	1/4	4.65	
2TA50	P1	5-Web	5.0	5.25	3 4/5	2 1/4	1 15/16	5/8	1/16	3	—	—	1/4	4.78	
2TA52	P1	5-Web	5.2	5.45	3 19/20	2 1/4	1 15/16	5/8	1/16	3	—	—	1/4	5.11	
2TA54	P1	5-Web	5.4	5.65	4 3/20	2 1/4	1 15/16	5/8	1/16	3	—	—	1/4	5.18	
2TA56	P1	5-Web	5.6	5.85	4 7/20	2 1/4	1 15/16	5/8	1/16	3	—	—	1/4	5.53	
2TA58	P1	5-Web	5.8	6.05	4 11/20	2 1/4	1 15/16	5/8	1/16	3	—	—	1/4	5.82	
2TA60	P1	11-Web	6.0	6.25	4 3/4	2 1/4	1 15/16	5/8	1/16	3	—	—	1/4	6.15	
2TA62	P1	11-Web	6.2	6.45	4 15/16	2 1/4	1 15/16	5/8	1/16	3	—	—	1/4	6.48	
2TA64	P1	11-Web	6.4	6.65	5 3/16	2 1/4	1 15/16	5/8	1/16	3	—	—	1/4	6.75	
2TA70	Q1	16-Web	7.0	7.25	5 13/16	2 25/32	2 1/2	15/16	3/16	4 1/8	3/4	1 3/4	9/32	9.33	
2TA82	Q1	16-Arm	8.2	8.45	6 15/16	2 25/32	2 1/2	15/16	3/16	4 1/8	3/4	1 3/4	9/32	11.79	
2TA90	Q1	16-Arm	9.0	9.25	7 13/16	2 25/32	2 1/2	15/16	3/16	4 1/8	3/4	1 3/4	9/32	12.19	
2TA106	Q1	16-Arm	10.6	10.85	9 3/8	2 25/32	2 1/2	15/16	3/16	4 1/8	3/4	1 3/4	9/32	14.88	
2TA120	Q1	16-Arm	12.0	12.25	10 13/16	2 25/32	2 1/2	15/16	3/16	4 1/8	3/4	1 3/4	9/32	16.01	
2TA150	Q1	16-Arm	15.0	15.25	13 13/16	2 25/32	2 1/2	15/16	3/16	4 1/8	3/4	1 3/4	9/32	20.50	
2TA180	Q1	16-Arm	18.0	18.25	16 13/16	2 25/32	2 1/2	15/16	3/16	4 1/8	3/4	1 3/4	9/32	25.79	
2TA195	Q1	16-Arm	19.5	19.75	18 1/4	2 25/32	2 1/2	15/16	3/16	4 1/8	3/4	1 3/4	9/32	30.20	
2TA245	Q1	16-Arm	24.5	24.75	23 1/4	2 25/32	2 1/2	15/16	3/16	4 1/8	3/4	1 3/4	9/32	46.30	

TA/TB/TC series



Table No.3 Specifications—Stock "TA" Sheaves

Part No.	Bushing	Type	DIAMETERS			3 GROOVES,F =2"								Wt. Less Bush.
			Datum "A"	Outside	Inside	Dimensions								
						O.L.	L	P	C	H	G	X	E	
3TA30	P1	3	3.0"	3.25"	—	3 7/16	1 15/16	1 3/16	1 1/4	3	5/8	2 9/16	1/4	2.43
3TA32	P1	3	3.2	3.45	—	3 7/16	1 15/16	1 3/16	1 1/4	3	5/8	2 9/16	1/4	2.93
3TA34	P1	3	3.4	3.65	—	3 7/16	1 15/16	1 3/16	1 1/4	3	5/8	2 9/16	1/4	3.48
3TA36	P1	5	3.6	3.85	2 3/8	2 7/8	1 15/16	5/8	11/16	3	—	1 3/8	1/4	2.76
3TA38	P1	5	3.8	4.05	2 9/16	2 7/8	1 15/16	5/8	11/16	3	—	1 3/8	1/4	3.17
3TA40	P1	5	4.0	4.25	2 3/4	2 7/8	1 15/16	5/8	11/16	3	—	1 3/8	1/4	3.68
3TA42	P1	13-Sol	4.2	4.45	3 1/16	2 5/16	1 15/16	0	1/8	3	5/8	1 3/8	1/4	4.08
3TA44	P1	13-Sol	4.4	4.65	3 3/16	2 5/16	1 15/16	0	1/8	3	5/8	1 3/8	1/4	4.59
3TA46	P1	13-Sol	4.6	4.85	3 3/8	2 5/16	1 15/16	0	1/8	3	5/8	1 3/8	1/4	5.14
3TA48	P1	13-Sol	4.8	5.05	3 9/16	2 5/16	1 15/16	0	1/8	3	5/8	1 3/8	1/4	5.67
3TA50	P1	13-Web	5.0	5.25	3 3/4	2 5/16	1 15/16	0	1/8	3	5/8	1 3/8	1/4	5.89
3TA52	P1	13-Web	5.2	5.45	3 15/16	2 5/16	1 15/16	0	1/8	3	5/8	1 3/8	1/4	6.19
3TA54	P1	13-Web	5.4	5.65	4 3/16	2 5/16	1 15/16	0	1/8	3	5/8	1 3/8	1/4	6.24
3TA56	P1	13-Web	5.6	5.85	4 3/8	2 5/16	1 15/16	0	1/8	3	5/8	1 3/8	1/4	6.66
3TA58	P1	13-Web	5.8	6.05	4 9/16	2 5/16	1 15/16	0	1/8	3	5/8	1 3/8	1/4	7.17
3TA60	P1	13-Web	6.0	6.25	4 3/4	2 5/16	1 15/16	0	1/8	3	5/8	1 3/8	1/4	7.43
3TA62	P1	13-Web	6.2	6.45	4 15/16	2 5/16	1 15/16	0	1/8	3	5/8	1 3/8	1/4	7.94
3TA64	P1	13-Web	6.4	6.65	5 3/16	2 5/16	1 15/16	0	1/8	3	5/8	1 3/8	1/4	8.18
3TA70	Q1	13-Web	7.0	7.25	5 13/16	2 29/32	2 1/2	5/8	1/8	4 1/8	3/4	1 3/4	9/32	10.74
3TA82	Q1	13-Arm	8.2	8.45	6 15/16	2 29/32	2 1/2	5/8	1/8	4 1/8	3/4	1 3/4	9/32	13.85
3TA90	Q1	13-Arm	9.0	9.25	7 13/16	2 29/32	2 1/2	5/8	1/8	4 1/8	3/4	1 3/4	9/32	14.40
3TA106	Q1	13-Arm	10.6	10.85	9 3/8	2 29/32	2 1/2	5/8	1/8	4 1/8	3/4	1 3/4	9/32	17.86
3TA120	Q1	13-Arm	12.0	12.25	10 13/16	2 29/32	2 1/2	5/8	1/8	4 1/8	3/4	1 3/4	9/32	20.28
3TA150	Q1	13-Arm	15.0	15.25	13 13/16	2 29/32	2 1/2	5/8	1/8	4 1/8	3/4	1 3/4	9/32	25.35
3TA180	Q1	13-Arm	18.0	18.25	16 13/16	2 29/32	2 1/2	5/8	1/8	4 1/8	3/4	1 3/4	9/32	31.97
3TA195	Q1	13-Arm	19.5	19.75	18 1/4	2 29/32	2 1/2	5/8	1/8	4 1/8	3/4	1 3/4	9/32	37.48
3TA245	Q1	13-Arm	24.5	24.75	23 1/4	2 29/32	2 1/2	5/8	1/8	4 1/8	3/4	1 3/4	9/32	55.12

Table No.4

Part No.	Bushing	Type	DIAMETERS			4 GROOVES,F = 2 5/8"								Wt. Less Bush.
			Datum "A"	Outside	Inside	Dimensions								
						O.L.	L	P	C	H	G	X	E	
4TA30	P2	3	3.0"	3.25	2	4 1/16	2 15/16	1 3/16	7/8	3	5/8	2 5/16	1/4	2.76
4TA32	P2	3	3.2	3.45	2	4 1/16	2 15/16	1 3/16	7/8	3	5/8	2 5/16	1/4	3.51
4TA34	P2	3	3.4	3.65	2 3/16	4 1/16	2 15/16	1 3/16	7/8	3	5/8	2 5/16	1/4	3.99
4TA36	P1	5	3.6	3.85	2 3/8	3 1/2	1 15/16	5/8	1 5/16	3	—	1 5/16	1/4	3.40
4TA38	P1	5	3.8	4.05	2 9/16	3 1/2	1 15/16	5/8	1 5/16	3	—	1 5/16	1/4	3.97
4TA40	P1	5	4.0	4.25	2 3/4	3 1/2	1 15/16	5/8	1 5/16	3	—	1 5/16	1/4	4.37
4TA42	P1	13-Sol	4.2	4.45	3 1/16	2 7/8	1 15/16	0	11/16	3	5/8	1 5/16	1/4	4.70
4TA44	P1	13-Sol	4.4	4.65	3 3/16	2 7/8	1 15/16	0	11/16	3	5/8	1 5/16	1/4	5.40
4TA46	P1	13-Sol	4.6	4.85	3 3/8	2 7/8	1 15/16	0	11/16	3	5/8	1 5/16	1/4	5.93
4TA48	P1	13-Sol	4.8	5.05	3 9/16	2 7/8	1 15/16	0	11/16	3	5/8	1 5/16	1/4	6.55
4TA50	P1	13-Web	5.0	5.25	3 3/4	2 7/8	1 15/16	0	11/16	3	5/8	1 5/16	1/4	6.83
4TA52	P1	13-Web	5.2	5.45	3 15/16	2 7/8	1 15/16	0	11/16	3	5/8	1 5/16	1/4	7.19
4TA54	P1	13-Web	5.4	5.65	4 3/16	2 7/8	1 15/16	0	11/16	3	5/8	1 5/16	1/4	7.36
4TA56	P1	13-Web	5.6	5.85	4 3/8	2 7/8	1 15/16	0	11/16	3	5/8	1 5/16	1/4	7.76
4TA58	P1	13-Web	5.8	6.05	4 9/16	2 7/8	1 15/16	0	11/16	3	5/8	1 5/16	1/4	8.40
4TA60	P1	13-Web	6.0	6.25	4 3/4	2 7/8	1 15/16	0	11/16	3	5/8	1 5/16	1/4	8.80
4TA62	P1	13-Web	6.2	6.45	4 15/16	2 7/8	1 15/16	0	11/16	3	5/8	1 5/16	1/4	9.26
4TA64	P1	13-Web	6.4	6.65	5 3/16	2 7/8	1 15/16	0	11/16	3	5/8	1 5/16	1/4	9.52
4TA70	Q1	13-Web	7.0	7.25	5 13/16	3 7/32	2 1/2	5/16	7/16	4 1/8	3/4	1 3/4	9/32	12.74
4TA82	Q1	13-Arm	8.2	8.45	6 15/16	3 7/32	2 1/2	5/16	7/16	4 1/8	3/4	1 3/4	9/32	16.12
4TA90	Q1	13-Arm	9.0	9.25	7 13/16	3 7/32	2 1/2	5/16	7/16	4 1/8	3/4	1 3/4	9/32	17.28
4TA106	Q1	13-Arm	10.6	10.85	9 3/8	3 7/32	2 1/2	5/16	7/16	4 1/8	3/4	1 3/4	9/32	20.81
4TA120	Q1	13-Arm	12.0	12.25	10 13/16	3 7/32	2 1/2	5/16	7/16	4 1/8	3/4	1 3/4	9/32	23.52
4TA150	Q1	13-Arm	15.0	15.25	13 13/16	3 7/32	2 1/2	5/16	7/16	4 1/8	3/4	1 3/4	9/32	29.76
4TA180	Q1	13-Arm	18.0	18.25	16 13/16	3 7/32	2 1/2	5/16	7/16	4 1/8	3/4	1 3/4	9/32	39.68
4TA195	Q1	13-Arm	19.5	19.75	18 1/4	3 7/32	2 1/2	5/16	7/16	4 1/8	3/4	1 3/4	9/32	44.75
4TA245	Q1	13-Arm	24.5	24.75	23 1/4	3 7/32	2 1/2	5/16	7/16	4 1/8	3/4	1 3/4	9/32	67.24

TA/TB/TC series

TATB/TC series

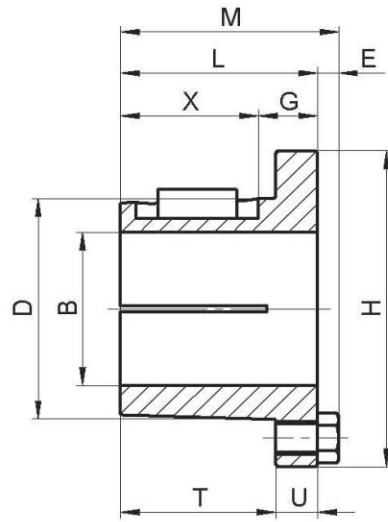


Table No.1

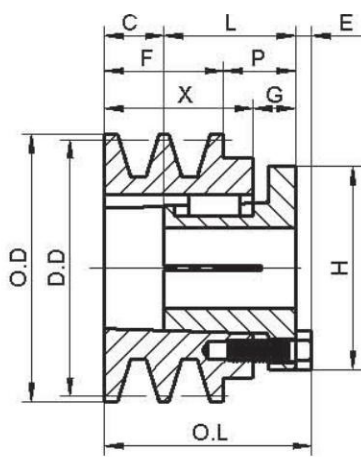
Bore Range	Keyseat
1/2" – 9/16"	1/8" x 1/16"
5/8 – 7/8	3/16 x 3/32
15/16 – 1 1/4	1/4 x 1/8
1 5/16 – 1 3/8	5/16 x 5/32
1 7/16 – 1 3/4	3/8 x 3/16
1 13/16 – 2 1/4	1/2 x 1/4
2 5/16 – 2 11/16	5/8 x 5/16

1 3/8" Bore also available with 3/8"x3/16" Keyseat.

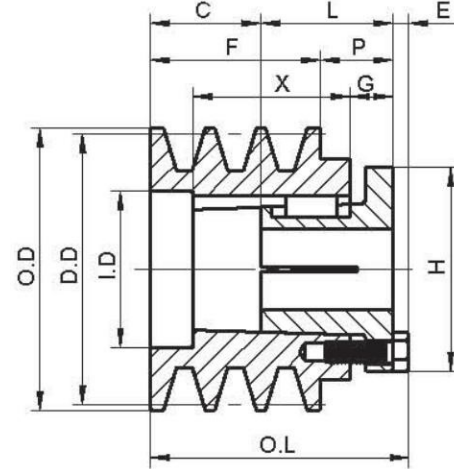
Table No.2 Bushing Dimension

Part No.	Dimensions									Bore Range	Wt. Lbs.
	M	L	G	X	E	T	U	D	H		
P1	2 3/16"	1 15/16"	5/8"	1 5/16"	1/4"	1 17/32"	13/32"	1 15/16"	3"	1/2"-1 3/4"	1 1/4
P2	3 3/16	2 15/16	5/8	2 5/16	1/4	2 17/32	13/32	1 15/16	3	3/4-1 3/4	1 1/2
Q1	2 25/32	2 1/2	3/4	1 3/4	9/32	1 31/32	17/32	2 7/8	4 1/8	3/4-2 11/16	3 1/2
Q2	3 25/32	3 1/2	3/4	2 3/4	9/32	2 31/32	17/32	2 7/8	4 1/8	1-2 5/8	4 1/2

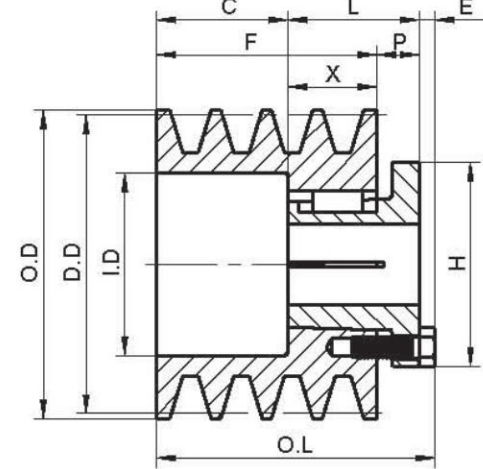
TYPE 2



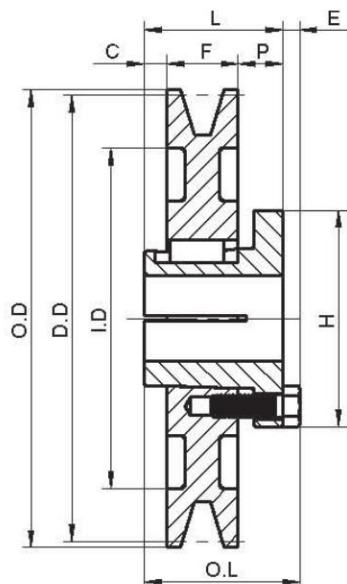
TYPE 3



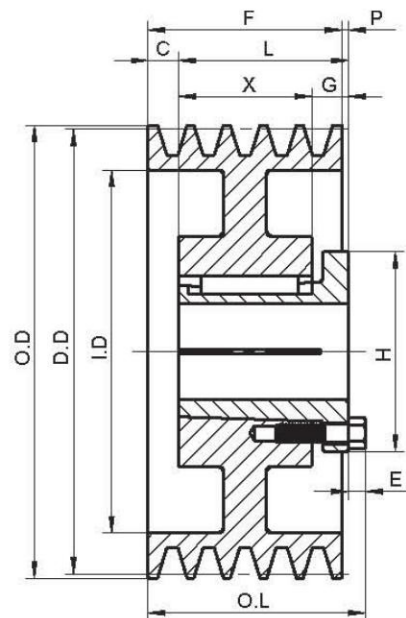
TYPE 5



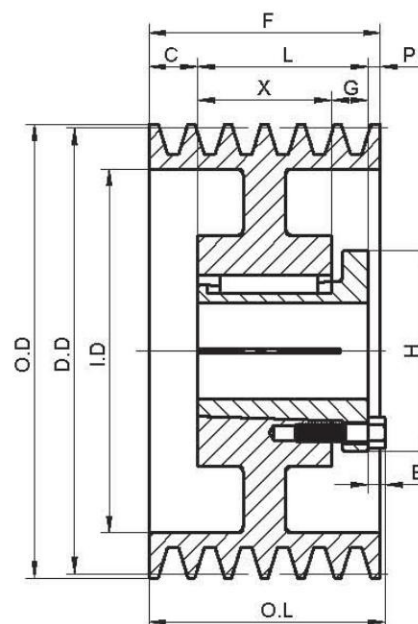
TYPE 10



TYPE 13



TYPE 15



TYPE 16

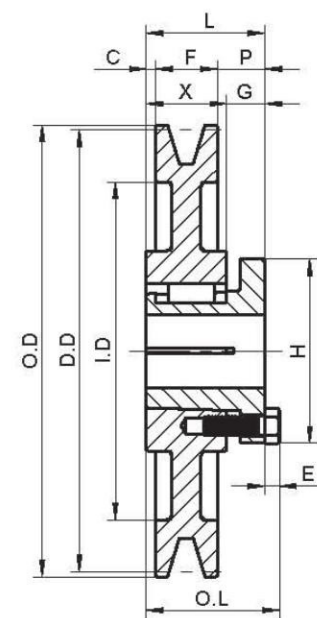




Table No.3 Specifications—Stock "TB" Sheaves

Part No.	Bushing	Type	DIAMETERS				1 GROOVE, F = 1"; 2 GROOVES, F=1 3/4"									Wt. Less Bush.
			Datum "A"	Datum "B"	Outside	Inside	Dimensions									
							O.L.	L	P	C	H	G	X	E		
1TB34	P1	2	3.0	3.4	3.75	—	2 5/16	1 15/16	1 1/16	1/8	3	5/8	1 7/16	1/4	2.0	
1TB36	P1	2	3.2	3.6	3.95	—	2 5/16	1 15/16	1 1/16	1/8	3	5/8	1 7/16	1/4	2.2	
1TB38	P1	2	3.4	3.8	4.15	—	2 5/16	1 15/16	1 1/16	1/8	3	5/8	1 7/16	1/4	2.5	
1TB40	P1	10-Sol.	3.6	4	4.35	—	2 3/16	1 15/16	5/8	5/16	3	—	—	1/4	2.2	
1TB42	P1	10-Sol.	3.8	4.2	4.55	—	2 3/16	1 15/16	5/8	5/16	3	—	—	1/4	2.5	
1TB44	P1	10-Sol.	4.0	4.4	4.75	—	2 3/16	1 15/16	5/8	5/16	3	—	—	1/4	2.9	
1TB46	P1	10-Sol.	4.2	4.6	4.95	—	2 3/16	1 15/16	5/8	5/16	3	—	—	1/4	3.2	
1TB48	P1	10-Sol.	4.4	4.8	5.15	—	2 3/16	1 15/16	5/8	5/16	3	—	—	1/4	3.5	
1TB50	P1	10-Sol.	4.6	5.0	5.35	—	2 3/16	1 15/16	5/8	5/16	3	—	—	1/4	4.0	
1TB52	P1	10-Sol.	4.8	5.2	5.55	—	2 3/16	1 15/16	5/8	5/16	3	—	—	1/4	4.4	
1TB54	P1	10-Sol.	5.0	5.4	5.75	—	2 3/16	1 15/16	5/8	5/16	3	—	—	1/4	4.8	
1TB56	P1	10-Sol.	5.2	5.6	5.95	—	2 3/16	1 15/16	5/8	5/16	3	—	—	1/4	5.0	
1TB58	P1	10-Sol.	5.4	5.8	6.15	—	2 3/16	1 15/16	5/8	5/16	3	—	—	1/4	5.6	
1TB60	P1	10-Web	5.6	6	6.35	4 1/2	2 3/16	1 15/16	5/8	5/16	3	—	—	1/4	5.1	
1TB62	P1	10-Web	5.8	6.2	6.55	4 11/16	2 3/16	1 15/16	5/8	5/16	3	—	—	1/4	5.3	
1TB64	P1	10-Web	6.0	6.4	6.75	4 7/8	2 3/16	1 15/16	5/8	5/16	3	—	—	1/4	5.7	
1TB66	P1	10-Web	6.2	6.6	6.95	5 1/16	2 3/16	1 15/16	5/8	5/16	3	—	—	1/4	6.0	
1TB68	P1	10-Web	6.4	6.8	7.15	5 5/16	2 3/16	1 15/16	5/8	5/16	3	—	—	1/4	6.3	
1TB70	P1	16-Arm	6.6	7	7.35	5 1/2	2 3/16	1 15/16	25/32	5/32	3	5/8	1 5/16	1/4	7.3	
1TB74	P1	16-Arm	7.0	7.4	7.75	5 15/16	2 3/16	1 15/16	25/32	5/32	3	5/8	1 5/16	1/4	7.6	
1TB80	P1	16-Arm	7.6	8.0	8.35	6 1/2	2 3/16	1 15/16	25/32	5/32	3	5/8	1 5/16	1/4	7.9	
1TB86	P1	16-Arm	8.2	8.6	8.95	7 1/16	2 3/16	1 15/16	25/32	5/32	3	5/8	1 5/16	1/4	8.9	
1TB90	P1	16-Arm	8.6	9	9.35	7 1/2	2 3/16	1 15/16	25/32	5/32	3	5/8	1 5/16	1/4	9.5	
1TB94	P1	16-Arm	9.0	9.4	9.75	7 15/16	2 3/16	1 15/16	25/32	5/32	3	5/8	1 5/16	1/4	9.4	
1TB110	P1	16-Arm	10.6	11	11.35	9 7/16	2 3/16	1 15/16	25/32	5/32	3	5/8	1 5/16	1/4	11.7	
1TB124	Q1	16-Arm	12.0	12.4	12.75	10 15/16	2 25/32	2 1/2	1 1/8	3/8	4 1/8	3/4	1 3/4	9/32	14.1	
1TB136	Q1	16-Arm	13.2	13.6	13.95	12 1/16	2 25/32	2 1/2	1 1/8	3/8	4 1/8	3/4	1 3/4	9/32	15.0	
1TB154	Q1	16-Arm	15.0	15.4	15.75	13 15/16	2 25/32	2 1/2	1 1/8	3/8	4 1/8	3/4	1 3/4	9/32	17.0	
1TB160	Q1	16-Arm	15.6	16.0	16.35	14 1/2	2 25/32	2 1/2	1 1/8	3/8	4 1/8	3/4	1 3/4	9/32	18.3	
1TB184	Q1	16-Arm	18.0	18.4	18.75	16 15/16	2 25/32	2 1/2	1 1/8	3/8	4 1/8	3/4	1 3/4	9/32	20.9	
1TB200	Q1	16-Arm	19.5	20	20.35	18 1/2	2 25/32	2 1/2	1 1/8	3/8	4 1/8	3/4	1 3/4	9/32	22.7	
1TB250	Q1	16-Arm	24.5	25	25.35	23 1/2	2 25/32	2 1/2	1 1/8	3/8	4 1/8	3/4	1 3/4	9/32	29.0	
1TB300	Q1	16-Arm	29.5	30.0	30.35	28 1/2	2 25/32	2 1/2	1 1/8	3/8	4 1/8	3/4	1 3/4	9/32	38.6	
1TB380	Q1	16-Arm	37.5	38.0	38.35	36 1/2	2 25/32	2 1/2	1 1/8	3/8	4 1/8	3/4	1 3/4	9/32	79.0	
2TB34	P1	2	3.0	3.4	3.75	—	3 1/16	1 15/16	1 1/16	7/8	3	5/8	2 3/16	1/4	2.9	
2TB36	P1	2	3.2	3.6	3.95	—	3 1/16	1 15/16	1 1/16	7/8	3	5/8	2 3/16	1/4	3.4	
2TB38	P1	5	3.4	3.8	4.15	2 5/16	2 5/8	1 15/16	5/8	7/16	3	—	1 5/16	1/4	3.0	
2TB40	P1	5	3.6	4	4.35	2 1/2	2 5/8	1 15/16	5/8	7/16	3	—	1 5/16	1/4	3.5	
2TB42	P1	5	3.8	4.2	4.55	2 11/16	2 5/8	1 15/16	5/8	7/16	3	—	1 5/16	1/4	4.0	
2TB44	P1	13-Sol.	4.0	4.4	4.75	2 7/8	2 3/16	1 15/16	3/16	0	3	5/8	1 5/16	1/4	4.2	
2TB46	P1	13-Sol.	4.2	4.6	4.95	3 1/16	2 3/16	1 15/16	3/16	0	3	5/8	1 5/16	1/4	4.6	
2TB48	P1	13-Sol.	4.4	4.8	5.15	3 5/16	2 3/16	1 15/16	3/16	0	3	5/8	1 5/16	1/4	5.4	
2TB50	P1	13-Sol.	4.6	5.0	5.35	3 1/2	2 3/16	1 15/16	3/16	0	3	5/8	1 5/16	1/4	6.0	
2TB52	P1	13-Sol.	4.8	5.2	5.55	3 11/16	2 3/16	1 15/16	3/16	0	3	5/8	1 5/16	1/4	6.6	
2TB54	P1	13-Sol.	5.0	5.4	5.75	3 7/8	2 3/16	1 15/16	3/16	0	3	5/8	1 5/16	1/4	7.2	
2TB56	P1	13-Sol.	5.2	5.6	5.95	4 1/16	2 3/16	1 15/16	3/16	0	3	5/8	1 5/16	1/4	7.7	
2TB58	P1	13-Sol.	5.4	5.8	6.15	4 5/16	2 3/16	1 15/16	3/16	0	3	5/8	1 5/16	1/4	8.4	
2TB60	P1	13-Sol.	5.6	6	6.35	4 1/2	2 3/16	1 15/16	3/16	0	3	5/8	1 5/16	1/4	8.9	
2TB62	P1	13-Web	5.8	6.2	6.55	4 11/16	2 3/16	1 15/16	3/16	0	3	5/8	1 5/16	1/4	7.8	
2TB64	P1	13-Web	6.0	6.4	6.75	4 7/8	2 3/16	1 15/16	3/16	0	3	5/8	1 5/16	1/4	8.3	
2TB66	P1	13-Web	6.2	6.6	6.95	5 1/16	2 3/16	1 15/16	3/16	0	3	5/8	1 5/16	1/4	8.6	
2TB68	P1	13-Web	6.4	6.8	7.15	5 5/16	2 3/16	1 15/16	3/16	0	3	5/8	1 5/16	1/4	8.8	
2TB70	Q1	13-Web	6.6	7	7.35	5 1/2	2 25/32	2 1/2	3/4	0	4 1/8	3/4	1 3/4	9/32	10.9	
2TB74	Q1	13-Web	7.0	7.4	7.75	5 15/16	2 25/32	2 1/2	3/4	0	4 1/8	3/4	1 3/4	9/32	12.0	
2TB80	Q1	13-Web	7.6	8.0	8.35	6 1/2	2 25/32	2 1/2	3/4	0	4 1/8	3/4	1 3/4	9/32	13.6	
2TB86	Q1	13-Web	8.2	8.6	8.95	7 1/16	2 25/32	2 1/2	3/4	0	4 1/8	3/4	1 3/4	9/32	14.8	
2TB90	Q1	13-Arm	8.6	9	9.35	7 1/2	2 25/32	2 1/2	3/4	0	4 1/8	3/4	1 3/4	9/32	12.9	
2TB94	Q1	13-Arm	9.0	9.4	9.75	7 15/16	2 25/32	2 1/2	3/4	0	4 1/8	3/4	1 3/4	9/32	14.3	
2TB110	Q1	13-Arm	10.6	11	11.35	9 7/16	2 25/32	2 1/2	3/4	0	4 1/8	3/4	1 3/4	9/32	16.8	
2TB124	Q1	13-Arm	12.0	12.4	12.75	10 15/16	2 25/32	2 1/2	3/4	0	4 1/8	3/4	1 3/4	9/32	18.4	
2TB136	Q1	13-Arm	13.2	13.6	13.95	12 1/16	2 25/32	2 1/2	3/4	0	4 1/8	3/4	1 3/4	9/32	20.2	
2TB154	Q1	13-Arm	15.0	15.4	15.75	13 15/16	2 25/32	2 1/2	3/4	0	4 1/8	3/4	1 3/4	9/32	21.5	
2TB160	Q1	13-Arm	15.6	16.0	16.35	14 1/2	2 25/32	2 1/2	3/4	0	4 1/8	3/4	1 3/4	9/32	24.4	
2TB184	Q1	13-Arm	18.0	18.4	18.75	16 15/16	2 25/32	2 1/2	3/4	0	4 1/8	3/4	1 3/4	9/32	28.5	
2TB200	Q1	13-Arm	19.5	20	20.35	18 1/2	2 25/32	2 1/2	3/4	0	4 1/8	3/4	1 3/4	9/32	30.9	
2TB250	Q1	13-Arm	24.5	25	25.35	23 1/2	2 25/32	2 1/2	3/4	0	4 1/8	3/4	1 3/4	9/32	38.6	
2TB300	Q1	13-Arm	29.5	30.0	30.35	28 1/2	2 25/32	2 1/2	3/4	0	4 1/8	3/4	1 3/4	9/32	94.8	
2TB380	Q1	13-Arm	37.5	38.0	38.35	36 1/2	2 25/32	2 1/2	3/4	0	4 1/8	3/4	1 3/4	9/32	161.0	

TA/TB/TC series

Table No.4 Specifications—Stock "TB" Sheaves

Part No.	Bushing	Type	DIAMETERS				3 GROOVE, F = 2 1/2" ; 4 GROOVES, F=3 1/4"									Wt. Less Bush.
			Datum "A"	Datum "B"	Outside	Inside	Dimensions									
							O.L.	L	P	C	H	G	X	E		
3TB34	P2	3	3.0	3.4	3.75	2	3 13/16	2 15/16	1 1/16	5/8	3"	5/8	2 5/16	1/4	3.7	
3TB36	P2	3	3.2	3.6	3.95	2 1/16	3 13/16	2 15/16	1 1/16	5/8	3	5/8	2 5/16	1/4	4.4	
3TB38	P1	5	3.4	3.8	4.15	2 5/16	3 3/8	1 15/16	5/8	1 3/16	3	—	1 5/16	1/4	4.1	
3TB40	P1	5	3.6	4.0	4.35	2 1/2	3 3/8	1 15/16	5/8	1 3/16	3	—	1 5/16	1/4	4.5	
3TB42	P1	5	3.8	4.2	4.55	2 11/16	3 3/8	1 15/16	5/8	1 3/16	3	—	1 5/16	1/4	5.2	
3TB44	P1	13-Sol.	4.0	4.4	4.75	2 7/8	2 3/4	1 15/16	0	9/16	3	5/8	1 5/16	1/4	5.4	
3TB46	P1	13-Sol.	4.2	4.6	4.95	3 1/16	2 3/4	1 15/16	0	9/16	3	5/8	1 5/16	1/4	6.2	
3TB48	P1	13-Sol.	4.4	4.8	5.15	3 5/16	2 3/4	1 15/16	0	9/16	3	5/8	1 5/16	1/4	6.8	
3TB50	P1	13-Sol.	4.6	5.0	5.35	3 1/2	2 3/4	1 15/16	0	9/16	3	5/8	1 5/16	1/4	7.5	
3TB52	P1	13-Sol.	4.8	5.2	5.55	3 11/16	2 3/4	1 15/16	0	9/16	3	5/8	1 5/16	1/4	7.7	
3TB54	P1	13-Sol.	5.0	5.4	5.75	3 7/8	2 3/4	1 15/16	0	9/16	3	5/8	1 5/16	1/4	8.8	
3TB56	P1	13-Web	5.2	5.6	5.95	4 1/16	2 3/4	1 15/16	0	9/16	3	5/8	1 5/16	1/4	8.9	
3TB58	P1	13-Web	5.4	5.8	6.15	4 5/16	2 3/4	1 15/16	0	9/16	3	5/8	1 5/16	1/4	9.2	
3TB60	P1	13-Web	5.6	6.0	6.35	4 1/2	2 3/4	1 15/16	0	9/16	3	5/8	1 5/16	1/4	9.9	
3TB62	P1	13-Web	5.8	6.2	6.55	4 11/16	2 3/4	1 15/16	0	9/16	3	5/8	1 5/16	1/4	10.4	
3TB64	P1	13-Web	6.0	6.4	6.75	4 7/8	2 3/4	1 15/16	0	9/16	3	5/8	1 5/16	1/4	10.9	
3TB66	P1	13-Web	6.2	6.6	6.95	5 1/16	2 3/4	1 15/16	0	9/16	3	5/8	1 5/16	1/4	11.6	
3TB68	P1	13-Web	6.4	6.8	7.15	5 5/16	2 3/4	1 15/16	0	9/16	3	5/8	1 5/16	1/4	12.0	
3TB70	Q1	13-Web	6.6	7.0	7.35	5 1/2	3 5/32	2 1/2	3/8	3/8	4 1/8	3/4	1 3/4	9/32	15.2	
3TB74	Q1	13-Web	7.0	7.4	7.75	5 15/16	3 5/32	2 1/2	3/8	3/8	4 1/8	3/4	1 3/4	9/32	15.0	
3TB80	Q1	13-Web	7.6	8.0	8.35	6 1/2	3 5/32	2 1/2	3/8	3/8	4 1/8	3/4	1 3/4	9/32	17.9	
3TB86	Q1	13-Web	8.2	8.6	8.95	7 1/16	3 5/32	2 1/2	3/8	3/8	4 1/8	3/4	1 3/4	9/32	20.1	
3TB90	Q1	13-Arm	8.6	9.0	9.35	7 1/2	3 5/32	2 1/2	3/8	3/8	4 1/8	3/4	1 3/4	9/32	18.6	
3TB94	Q1	13-Arm	9.0	9.4	9.75	7 15/16	3 5/32	2 1/2	3/8	3/8	4 1/8	3/4	1 3/4	9/32	19.3	
3TB110	Q1	13-Arm	10.6	11.0	11.35	9 7/16	3 5/32	2 1/2	3/8	3/8	4 1/8	3/4	1 3/4	9/32	22.7	
3TB124	Q1	13-Arm	12.0	12.4	12.75	10 15/16	3 5/32	2 1/2	3/8	3/8	4 1/8	3/4	1 3/4	9/32	27.7	
3TB136	Q1	13-Arm	13.2	13.6	13.95	12 1/16	3 5/32	2 1/2	3/8	3/8	4 1/8	3/4	1 3/4	9/32	29.0	
3TB154	Q1	13-Arm	15.0	15.4	15.75	13 15/16	3 5/32	2 1/2	3/8	3/8	4 1/8	3/4	1 3/4	9/32	31.9	
3TB160	Q1	13-Arm	15.6	16.0	16.35	14 1/2	3 5/32	2 1/2	3/8	3/8	4 1/8	3/4	1 3/4	9/32	35.5	
3TB184	Q1	13-Arm	18.0	18.4	18.75	16 15/16	3 5/32	2 1/2	3/8	3/8	4 1/8	3/4	1 3/4	9/32	40.5	
3TB200	Q1	13-Arm	19.5	20.0	20.35	18 1/2	3 5/32	2 1/2	3/8	3/8	4 1/8	3/4	1 3/4	9/32	50.0	
3TB250	Q1	13-Arm	24.5	25.0	25.35	23 1/2	3 5/32	2 1/2	3/8	3/8	4 1/8	3/4	1 3/4	9/32	61.7	
3TB300	Q1	13-Arm	29.5	30.0	30.35	28 1/2	3 5/32	2 1/2	3/8	3/8	4 1/8	3/4	1 3/4	9/32	79.0	
3TB380	Q1	13-Arm	37.5	38.0	38.35	36 1/2	3 5/32	2 1/2	3/8	3/8	4 1/8	3/4	1 3/4	9/32	110.0	

4TB34	P2	3	3.0"	3.4"	3.75"	2"	4 9/16"	2 15/16"	1 1/16"	1 3/8"	3"	5/8"	2 5/16"	1/4"	4.52
4TB36	P2	3	3.2	3.6	3.95	2 1/16	4 9/16	2 15/16	1 1/16	1 3/8	3	5/8	2 5/16	1/4	5.30
4TB38	P1	5	3.4	3.8	4.15	2 5/16	4 1/8	1 15/16	5/8	1 15/16	3	—	1 5/16	1/4	5.07
4TB40	P1	5	3.6	4.0	4.35	2 1/2	4 1/8	1 15/16	5/8	1 15/16	3	—	1 5/16	1/4	5.73
4TB42	P1	5	3.8	4.2	4.55	2 11/16	4 1/8	1 15/16	5/8	1 15/16	3	—	1 5/16	1/4	6.37
4TB44	P1	13-Sol.	4.0	4.4	4.75	2 7/8	3 1/2	1 15/16	0	1 5/16	3	5/8	1 5/16	1/4	6.83
4TB46	P1	13-Sol.	4.2	4.6	4.95	3 1/16	3 1/2	1 15/16	0	1 5/16	3	5/8	1 5/16	1/4	7.63
4TB48	P1	13-Sol.	4.4	4.8	5.15	3 5/16	3 1/2	1 15/16	0	1 5/16	3	5/8	1 5/16	1/4	8.14
4TB50	P1	13-Sol.	4.6	5.0	5.35	3 1/2	3 1/2	1 15/16	0	1 5/16	3	5/8	1 5/16	1/4	8.82
4TB52	P1	13-Sol.	4.8	5.2	5.55	3 11/16	3 1/2	1 15/16	0	1 5/16	3	5/8	1 5/16	1/4	9.59
4TB54	P1	13-Web	5.0	5.4	5.75	3 7/8	3 1/2	1 15/16	0	1 5/16	3	5/8	1 5/16	1/4	9.70
4TB56	P1	13-Web	5.2	5.6	5.95	4 1/16	3 1/2	1 15/16	0	1 5/16	3	5/8	1 5/16	1/4	10.30
4TB58	P1	13-Web	5.4	5.8	6.15	4 5/16	3 1/2	1 15/16	0	1 5/16	3	5/8	1 5/16	1/4	10.80
4TB60	P1	13-Web	5.6	6.0	6.35	4 1/2	3 1/2	1 15/16	0	1 5/16	3	5/8	1 5/16	1/4	11.68
4TB62	P1	13-Web	5.8	6.2	6.55	4 11/16	3 1/2	1 15/16	0	1 5/16	3	5/8	1 5/16	1/4	12.35
4TB64	P1	13-Web	6.0	6.4	6.75	4 7/8	3 1/2	1 15/16	0	1 5/16	3	5/8	1 5/16	1/4	12.90
4TB66	P1	13-Web	6.2	6.6	6.95	5 1/16	3 1/2	1 15/16	0	1 5/16	3	5/8	1 5/16	1/4	12.40
4TB68	P1	13-Web	6.4	6.8	7.15	5 5/16	3 1/2	1 15/16	0	1 5/16	3	5/8	1 5/16	1/4	13.50
4TB70	Q1	13-Web	6.6	7.0	7.35	5 1/2	3 17/32	2 1/2	0	3/4	4 1/8	3/4	1 3/4	9/32	17.33
4TB74	Q1	13-Web	7.0	7.4	7.75	5 15/16	3 17/32	2 1/2	0	3/4	4 1/8	3/4	1 3/4	9/32	16.98
4TB80	Q1	13-Web	7.6	8.0	8.35	6 1/2	3 17/32	2 1/2	0	3/4	4 1/8	3/4	1 3/4	9/32	20.17
4TB86	Q1	13-Web	8.2	8.6	8.95	7 1/16	3 17/32	2 1/2	0	3/4	4 1/8	3/4	1 3/4	9/32	22.82
4TB90	Q1	13-Arm	8.6	9.0	9.35	7 1/2	3 17/32	2 1/2	0	3/4	4 1/8	3/4	1 3/4	9/32	21.67
4TB94	Q1	13-Arm	9.0	9.4	9.75	7 15/16	3 17/32	2 1/2	0	3/4	4 1/8	3/4	1 3/4	9/32	26.01
4TB110	Q1	13-Arm	10.6	11.0	11.35	9 7/16	3 17/32	2 1/2	0	3/4	4 1/8	3/4	1 3/4	9/32	27.34
4TB124	Q1	13-Arm	12.0	12.4	12.75	10 15/16	3 17/32	2 1/2	0	3/4	4 1/8	3/4	1 3/4	9/32	29.52
4TB136	Q1	13-Arm	13.2	13.6	13.95	12 1/16	3 17/32	2 1/2	0	3/4	4 1/8	3/4	1 3/4	9/32	34.68
4TB154	Q1	13-Arm	15.0	15.4	15.75	13 15/16	3 17/32	2 1/2	0	3/4	4 1/8	3/4	1 3/4	9/32	39.70
4TB160	Q1	13-Arm	15.6	16.0	16.35	14 1/2	3 17/32	2 1/2	0	3/4	4 1/8	3/4	1 3/4	9/32	45.20
4TB184	Q1	13-Arm	18.0	18.4	18.75	16 15/16	3 17/32	2 1/2	0	3/4	4 1/8	3/4	1 3/4	9/32	46.85
4TB200	Q1	13-Arm	19.5	20.0	20.35	18 1/2	3 17/32	2 1/2	0	3/4	4 1/8	3/4	1 3/4	9/32	52.69
4TB250	Q1	13-Arm	24.5	25.0	25.35	23 1/2	3 17/32	2 1/2	0	3/4	4 1/8	3/4	1 3/4	9/32	75.22
4TB300	Q1	13-Arm	29.5	30.0	30.35	28 1/2	3 17/32	2 1/2	0	3/4	4 1/8	3/4	1 3/4	9/32	96.00
4TB380	Q1	13-Arm	37.5	38.0	38.35	36 1/2	3 17/32	2 1/2	0	3/4	4 1/8	3/4	1 3/4	9/32	125.0

TATB/TC series



Table No.5 Specifications—Stock "TB" Sheaves

Part No.	Bushing	Type	DIAMETERS				5 GROOVE, F = 4" 6 GROOVES, F=4 3/4"								Wt. Less Bush.
			Datum "A"	Datum "B"	Outside	Inside	Dimensions								
							O.L.	L	P	C	H	G	X	E	
5TB34	P2	3	3.0	3.4	3.75	2	5 5/16	2 15/16	1 1/16	2 1/8	3	5/8	2 5/16	1/4	5.3
5TB36	P2	3	3.2	3.6	3.95	2 1/16	5 5/16	2 15/16	1 1/16	2 1/8	3	5/8	2 5/16	1/4	6.2
5TB38	P2	5	3.4	3.8	4.15	2 5/16	4 7/8	2 15/16	5/8	1 11/16	3	—	2 5/16	1/4	6.3
5TB40	P2	5	3.6	4.0	4.35	2 1/2	4 7/8	2 15/16	5/8	1 11/16	3	—	2 5/16	1/4	7.1
5TB42	P2	5	3.8	4.2	4.55	2 11/16	4 7/8	2 15/16	5/8	1 11/16	3	—	2 5/16	1/4	8.0
5TB44	P2	13-Sol.	4.0	4.4	4.75	3 1/16	4 1/4	2 15/16	0	1 1/16	3	5/8	2 5/16	1/4	8.6
5TB46	P2	13-Sol.	4.2	4.6	4.95	3 1/16	4 1/4	2 15/16	0	1 1/16	3	5/8	2 5/16	1/4	10.0
5TB48	P2	13-Sol.	4.4	4.8	5.15	3 5/16	4 1/4	2 15/16	0	1 1/16	3	5/8	2 5/16	1/4	10.8
5TB50	P2	13-Sol.	4.6	5.0	5.35	3 1/2	4 1/4	2 15/16	0	1 1/16	3	5/8	2 5/16	1/4	11.8
5TB52	P2	13-Web	4.8	5.2	5.55	3 11/16	4 1/4	2 15/16	0	1 1/16	3	5/8	2 5/16	1/4	12.5
5TB54	Q1	13-Sol.	5.0	5.4	5.75	4 3/16	4 9/32	2 1/2	0	1 1/2	4 1/8	3/4	1 3/4	9/32	9.8
5TB56	Q1	13-Sol.	5.2	5.6	5.95	4 3/16	4 9/32	2 1/2	0	1 1/2	4 1/8	3/4	1 3/4	9/32	11.6
5TB58	Q1	13-Sol.	5.4	5.8	6.15	4 5/16	4 9/32	2 1/2	0	1 1/2	4 1/8	3/4	1 3/4	9/32	12.7
5TB60	Q1	13-Sol.	5.6	6.0	6.35	4 1/2	4 9/32	2 1/2	0	1 1/2	4 1/8	3/4	1 3/4	9/32	13.8
5TB62	Q1	13-Sol.	5.8	6.2	6.55	4 11/16	4 9/32	2 1/2	0	1 1/2	4 1/8	3/4	1 3/4	9/32	14.8
5TB64	Q1	13-Sol.	6.0	6.4	6.75	4 7/8	4 9/32	2 1/2	0	1 1/2	4 1/8	3/4	1 3/4	9/32	16.0
5TB66	Q1	13-Web	6.2	6.6	6.95	5 1/16	4 9/32	2 1/2	0	1 1/2	4 1/8	3/4	1 3/4	9/32	16.7
5TB68	Q1	13-Web	6.4	6.8	7.15	5 5/16	4 9/32	2 1/2	0	1 1/2	4 1/8	3/4	1 3/4	9/32	17.3
5TB70	Q2	13-Web	6.6	7.0	7.35	5 1/2	4 13/32	3 1/2	1/8	5/8	4 1/8	3/4	2 3/4	9/32	22.8
5TB74	Q2	13-Web	7.0	7.4	7.75	5 15/16	4 13/32	3 1/2	1/8	5/8	4 1/8	3/4	2 3/4	9/32	22.9
5TB80	Q2	13-Web	7.6	8.0	8.35	6 1/2	4 13/32	3 1/2	1/8	5/8	4 1/8	3/4	2 3/4	9/32	27.0
5TB86	Q2	13-Web	8.2	8.6	8.95	7 1/16	4 13/32	3 1/2	1/8	5/8	4 1/8	3/4	2 3/4	9/32	30.4
5TB90	Q2	13-Arm	8.6	9.0	9.35	7 7/20	4 13/32	3 1/2	1/8	5/8	4 1/8	3/4	2 3/4	9/32	31.5
5TB94	Q2	13-Arm	9.0	9.4	9.75	7 3/4	4 13/32	3 1/2	1/8	5/8	4 1/8	3/4	2 3/4	9/32	32.5
5TB110	Q2	13-Arm	10.6	11.0	11.35	9 7/20	4 13/32	3 1/2	1/8	5/8	4 1/8	3/4	2 3/4	9/32	39.0
5TB124	Q2	13-Arm	12.0	12.4	12.75	10 3/4	4 13/32	3 1/2	1/8	5/8	4 1/8	3/4	2 3/4	9/32	44.1
5TB136	Q2	13-Arm	13.2	13.6	13.95	11 19/20	4 13/32	3 1/2	1/8	5/8	4 1/8	3/4	2 3/4	9/32	48.5
5TB154	Q2	13-Arm	15.0	15.4	15.75	13 3/4	4 13/32	3 1/2	1/8	5/8	4 1/8	3/4	2 3/4	9/32	56.4
5TB160	Q2	13-Arm	15.6	16.0	16.35	14 7/20	4 13/32	3 1/2	1/8	5/8	4 1/8	3/4	2 3/4	9/32	59.1
5TB184	Q2	13-Arm	18.0	18.4	18.75	16 3/4	4 13/32	3 1/2	1/8	5/8	4 1/8	3/4	2 3/4	9/32	72.8
5TB200	Q2	13-Arm	19.5	20.0	20.35	18 7/20	4 13/32	3 1/2	1/8	5/8	4 1/8	3/4	2 3/4	9/32	81.6
5TB250	Q2	13-Arm	24.5	25.0	25.35	23 7/20	4 13/32	3 1/2	1/8	5/8	4 1/8	3/4	2 3/4	9/32	114.6
5TB300	Q2	13-Arm	29.5	30.0	30.35	28 7/20	4 13/32	3 1/2	1/8	5/8	4 1/8	3/4	2 3/4	9/32	150.8
5TB380	Q2	13-Arm	37.5	38.0	38.35	36 7/20	4 13/32	3 1/2	1/8	5/8	4 1/8	3/4	2 3/4	9/32	231.5

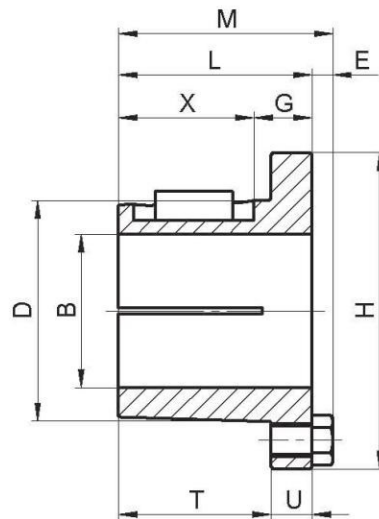
6TB34	P2	3	3.0	3.4	3.75	2	6 1/16	2 15/16	1 1/16	2 7/8	3	5/8	2 5/16	1/4	6.1
6TB36	P2	3	3.2	3.6	3.95	2 1/16	6 1/16	2 15/16	1 1/16	2 7/8	3	5/8	2 5/16	1/4	7.1
6TB38	P2	5	3.4	3.8	4.15	2 5/16	5 5/8	2 15/16	5/8	2 7/16	3	—	2 5/16	1/4	7.3
6TB40	P2	5	3.6	4.0	4.35	2 1/2	5 5/8	2 15/16	5/8	2 7/16	3	—	2 5/16	1/4	8.2
6TB42	P2	5	3.8	4.2	4.55	2 11/16	5 5/8	2 15/16	5/8	2 7/16	3	—	2 5/16	1/4	9.2
6TB44	P2	13-Sol.	4.0	4.4	4.75	3 1/16	5	2 15/16	0	1 13/16	3	5/8	2 5/16	1/4	9.5
6TB46	P2	13-Sol.	4.2	4.6	4.95	3 1/16	5	2 15/16	0	1 13/16	3	5/8	2 5/16	1/4	11.2
6TB48	P2	13-Sol.	4.4	4.8	5.15	3 5/16	5	2 15/16	0	1 13/16	3	5/8	2 5/16	1/4	12.0
6TB50	P2	13-Sol.	4.6	5.0	5.35	3 1/2	5	2 15/16	0	1 13/16	3	5/8	2 5/16	1/4	13.4
6TB52	P2	13-Web	4.8	5.2	5.55	3 11/16	5	2 15/16	0	1 13/16	3	5/8	2 5/16	1/4	14.1
6TB54	Q1	13-Sol.	5.0	5.4	5.75	4 3/16	5 1/32	2 1/2	0	2 1/4	4 1/8	3/4	1 3/4	9/32	10.9
6TB56	Q1	13-Sol.	5.2	5.6	5.95	4 3/16	5 1/32	2 1/2	0	2 1/4	4 1/8	3/4	1 3/4	9/32	13.8
6TB58	Q1	13-Sol.	5.4	5.8	6.15	4 5/16	5 1/32	2 1/2	0	2 1/4	4 1/8	3/4	1 3/4	9/32	14.5
6TB60	Q1	13-Sol.	5.6	6.0	6.35	4 1/2	5 1/32	2 1/2	0	2 1/4	4 1/8	3/4	1 3/4	9/32	15.7
6TB62	Q1	13-Sol.	5.8	6.2	6.55	4 11/16	5 1/32	2 1/2	0	2 1/4	4 1/8	3/4	1 3/4	9/32	16.8
6TB64	Q1	13-Sol.	6.0	6.4	6.75	4 7/8	5 1/32	2 1/2	0	2 1/4	4 1/8	3/4	1 3/4	9/32	18.0
6TB66	Q1	13-Sol.	6.2	6.6	6.95	5 1/16	5 1/32	2 1/2	0	2 1/4	4 1/8	3/4	1 3/4	9/32	19.2
6TB68	Q1	13-Web	6.4	6.8	7.15	5 5/16	5 1/32	2 1/2	0	2 1/4	4 1/8	3/4	1 3/4	9/32	19.6
6TB70	Q2	15-Web	6.6	7.0	7.35	5 1/2	4 25/32	3 1/2	1/4	1	4 1/8	3/4	2 3/4	9/32	24.9
6TB74	Q2	15-Web	7.0	7.4	7.75	5 15/16	4 25/32	3 1/2	1/4	1	4 1/8	3/4	2 3/4	9/32	25.8
6TB80	Q2	15-Web	7.6	8.0	8.35	6 1/2	4 25/32	3 1/2	1/4	1	4 1/8	3/4	2 3/4	9/32	29.4
6TB86	Q2	15-Web	8.2	8.6	8.95	7 1/16	4 25/32	3 1/2	1/4	1	4 1/8	3/4	2 3/4	9/32	33.2
6TB90	Q2	15-Web	8.6	9.0	9.35	7 1/2	4 25/32	3 1/2	1/4	1	4 1/8	3/4	2 3/4	9/32	34.7
6TB94	Q2	15-Arm	9.0	9.4	9.75	7 3/4	4 25/32	3 1/2	1/4	1	4 1/8	3/4	2 3/4	9/32	36.4
6TB110	Q2	15-Arm	10.6	11.0	11.35	9 7/20	4 25/32	3 1/2	1/4	1	4 1/8	3/4	2 3/4	9/32	43.3
6TB124	Q2	15-Arm	12.0	12.4	12.75	10 3/4	4 25/32	3 1/2	1/4	1	4 1/8	3/4	2 3/4	9/32	49.7
6TB136	Q2	15-Arm	13.2	13.6	13.95	11 19/20	4 25/32	3 1/2	1/4	1	4 1/8	3/4	2 3/4	9/32	58.2
6TB154	Q2	15-Arm	15.0	15.4	15.75	13 3/4	4 25/32	3 1/2	1/4	1	4 1/8	3/4	2 3/4	9/32	65.0
6TB160	Q2	15-Arm	15.6	16.0	16.35	14 7/20	4 25/32	3 1/2	1/4	1	4 1/8	3/4	2 3/4	9/32	68.8
6TB184	Q2	15-Arm	18.0	18.4	18.75	16 3/4	4 25/32	3 1/2	1/4	1	4 1/8	3/4	2 3/4	9/32	83.8
6TB200	Q2	15-Arm	19.5	20.0	20.35	18 7/20	4 25/32	3 1/2	1/4	1	4 1/8	3/4	2 3/4	9/32	96.6
6TB250	Q2	15-Arm	24.5	25.0	25.35	23 7/20	4 25/32	3 1/2	1/4	1	4 1/8	3/4	2 3/4	9/32	127.9
6TB300	Q2	15-Arm	29.5	30.0	30.35	28 7/20	4 25/32	3 1/2	1/4	1	4 1/8	3/4	2 3/4	9/32	168.7
6TB380	Q2	15-Arm	37.5	38.0	38.35	36 7/20	4 25/32	3 1/2	1/4	1	4 1/8	3/4	2 3/4	9/32	255.7

TA/TB/TC series

For Use with All "C" Section Belts

◆ STATICALLY BALANCED

TATB/TC series



Standard Keyseats

Table No.1

Bore Range	Keyseat
3/4" – 7/8"	3/16" x 3/32"
15/16 – 1 1/4	1/4 x 1/8
1 5/16 – 1 3/8	5/16 x 5/32
1 7/16 – 1 3/4	3/8 x 3/16
1 13/16 – 2 1/4	1/2 x 1/4
2 5/16 – 2 11/16	5/8 x 5/16

1 3/8 Bore Bushings also available with 3/8"x3/16" Keyseat.

Table No.2 Bushing Dimensions

Part No.	Dimensions									Bore Range	Wt. Lbs.
	M	L	G	X	E	T	U	D	H		
Q1	2 25/32"	2 1/2"	3/4"	1 3/4"	9/32"	1 31/32"	17/32"	2 7/8"	4 1/8"	3/4" - 2 11/16"	3 1/2
Q2	3 25/32"	3 1/2"	3/4"	2 3/4"	9/32"	2 31/32"	17/32"	2 7/8"	4 1/8"	1" - 2 5/8"	4 1/2

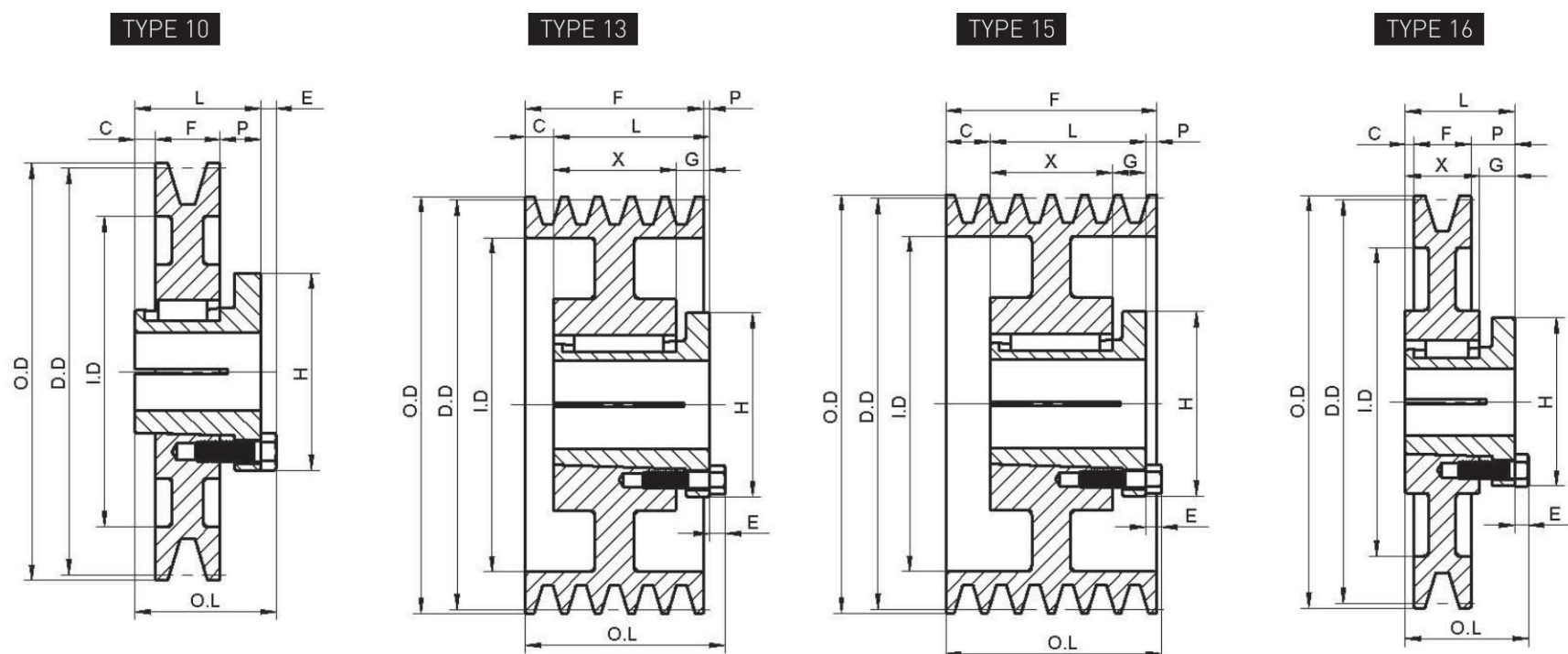




Table No.3 Specifications—Stock "TC" Sheaves

Part No.	Bushing	Type	DIAMETERS			1 GROOVE, F = 1 1/4"									Wt. Less Bush.
			Datum "C"	Outside	Inside	Dimensions									
						O.L.	L	P	C	H	G	X	E		
1TC70	Q1	10-Sol.	7.0"	7.40	-	2 25/32	2 1/2	3/4	1/2	4 1/8	—	—	9/32	8.91	
1TC72	Q1	10-Web	7.2	7.60	5.40	2 25/32	2 1/2	3/4	1/2	4 1/8	—	—	9/32	8.36	
1TC74	Q1	10-Web	7.4	7.80	5.60	2 25/32	2 1/2	3/4	1/2	4 1/8	—	—	9/32	8.97	
1TC76	Q1	10-Web	7.6	8.00	5.80	2 25/32	2 1/2	3/4	1/2	4 1/8	—	—	9/32	9.19	
1TC78	Q1	10-Web	7.8	8.20	6	2 25/32	2 1/2	3/4	1/2	4 1/8	—	—	9/32	10.01	
1TC80	Q1	10-Web	8.0	8.40	6 1/4	2 25/32	2 1/2	3/4	1/2	4 1/8	—	—	9/32	10.34	
1TC82	Q1	10-Web	8.2	8.60	6 7/16	2 25/32	2 1/2	3/4	1/2	4 1/8	—	—	9/32	10.67	
1TC84	Q1	10-Web	8.4	8.80	6 5/8	2 25/32	2 1/2	3/4	1/2	4 1/8	—	—	9/32	11.24	
1TC86	Q1	10-Web	8.6	9.00	6 13/16	2 25/32	2 1/2	3/4	1/2	4 1/8	—	—	9/32	11.68	
1TC88	Q1	10-Web	8.8	9.20	7	2 25/32	2 1/2	3/4	1/2	4 1/8	—	—	9/32	12.08	
1TC90	Q1	10-Web	9.0	9.40	7 1/4	2 25/32	2 1/2	3/4	1/2	4 1/8	—	—	9/32	12.54	
1TC92	Q1	10-Web	9.2	9.60	7 7/16	2 25/32	2 1/2	3/4	1/2	4 1/8	—	—	9/32	12.99	
1TC94	Q1	16-Arm	9.4	9.80	7 5/8	2 25/32	2 1/2	1	1/4	4 1/8	3/4	1 3/4	9/32	13.73	
1TC96	Q1	16-Arm	9.6	10.00	7 13/16	2 25/32	2 1/2	1	1/4	4 1/8	3/4	1 3/4	9/32	14.02	
1TC98	Q1	16-Arm	9.8	10.20	8	2 25/32	2 1/2	1	1/4	4 1/8	3/4	1 3/4	9/32	14.40	
1TC100	Q1	16-Arm	10.0	10.40	8 1/4	2 25/32	2 1/2	1	1/4	4 1/8	3/4	1 3/4	9/32	14.73	
1TC102	Q1	16-Arm	10.2	10.60	8 7/16	2 25/32	2 1/2	1	1/4	4 1/8	3/4	1 3/4	9/32	14.99	
1TC106	Q1	16-Arm	10.6	11.00	8 13/16	2 25/32	2 1/2	1	1/4	4 1/8	3/4	1 3/4	9/32	15.52	
1TC110	Q1	16-Arm	11.0	11.40	9 1/4	2 25/32	2 1/2	1	1/4	4 1/8	3/4	1 3/4	9/32	16.05	
1TC114	Q1	16-Arm	11.4	11.80	9 5/8	2 25/32	2 1/2	1	1/4	4 1/8	3/4	1 3/4	9/32	17.09	
1TC120	Q1	16-Arm	12.0	12.40	10 1/4	2 25/32	2 1/2	1	1/4	4 1/8	3/4	1 3/4	9/32	18.12	
1TC130	Q1	16-Arm	13.0	13.40	11 1/4	2 25/32	2 1/2	1	1/4	4 1/8	3/4	1 3/4	9/32	19.49	
1TC160	Q1	16-Arm	16.0	16.40	14 1/4	2 25/32	2 1/2	1	1/4	4 1/8	3/4	1 3/4	9/32	25.35	
1TC200	Q1	16-Arm	20.0	20.40	18 1/4	2 25/32	2 1/2	1	1/4	4 1/8	3/4	1 3/4	9/32	34.17	
1TC240	Q1	16-Arm	24.0	24.40	22 1/4	2 25/32	2 1/2	1	1/4	4 1/8	3/4	1 3/4	9/32	42.99	

TA/TB/TC
series

For Use with All "C" Section Belts

Table No.4 Specifications—Stock "TC" Sheaves

Part No.	Bushing	Type	DIAMETERS			2 GROOVES,F =2 1/4"								Wt. Less Bush.
			Datum "C"	Outside	Inside	Dimensions								
						O.L.	L	P	C	H	G	X	E	
2TC70	Q1	13-Web	7.0"	7.40	5 1/4	3 1/32	2 1/2	1/2	1/4	4 1/8	3/4	1 3/4	9/32	12.72
2TC72	Q1	13-Web	7.2	7.60	5 7/16	3 1/32	2 1/2	1/2	1/4	4 1/8	3/4	1 3/4	9/32	13.05
2TC74	Q1	13-Web	7.4	7.80	5 5/8	3 1/32	2 1/2	1/2	1/4	4 1/8	3/4	1 3/4	9/32	13.73
2TC76	Q1	13-Web	7.6	8.00	5 13/16	3 1/32	2 1/2	1/2	1/4	4 1/8	3/4	1 3/4	9/32	14.26
2TC78	Q1	13-Web	7.8	8.20	6	3 1/32	2 1/2	1/2	1/4	4 1/8	3/4	1 3/4	9/32	15.48
2TC80	Q1	13-Web	8.0	8.40	6 1/4	3 1/32	2 1/2	1/2	1/4	4 1/8	3/4	1 3/4	9/32	15.76
2TC82	Q1	13-Web	8.2	8.60	6 7/16	3 1/32	2 1/2	1/2	1/4	4 1/8	3/4	1 3/4	9/32	16.56
2TC84	Q1	13-Web	8.4	8.80	6 5/8	3 1/32	2 1/2	1/2	1/4	4 1/8	3/4	1 3/4	9/32	17.13
2TC86	Q1	13-Web	8.6	9.00	6 13/16	3 1/32	2 1/2	1/2	1/4	4 1/8	3/4	1 3/4	9/32	17.79
2TC88	Q1	13-Web	8.8	9.20	7	3 1/32	2 1/2	1/2	1/4	4 1/8	3/4	1 3/4	9/32	18.39
2TC90	Q1	13-Web	9.0	9.40	7 1/4	3 1/32	2 1/2	1/2	1/4	4 1/8	3/4	1 3/4	9/32	18.83
2TC92	Q1	13-Web	9.2	9.60	7 7/16	3 1/32	2 1/2	1/2	1/4	4 1/8	3/4	1 3/4	9/32	19.33
2TC94	Q1	13-Arm	9.4	9.80	7 5/8	3 1/32	2 1/2	1/2	1/4	4 1/8	3/4	1 3/4	9/32	18.06
2TC96	Q1	13-Arm	9.6	10.00	7 13/16	3 1/32	2 1/2	1/2	1/4	4 1/8	3/4	1 3/4	9/32	18.41
2TC98	Q1	13-Arm	9.8	10.20	8	3 1/32	2 1/2	1/2	1/4	4 1/8	3/4	1 3/4	9/32	18.98
2TC100	Q1	13-Arm	10.0	10.40	8 1/4	3 1/32	2 1/2	1/2	1/4	4 1/8	3/4	1 3/4	9/32	19.22
2TC102	Q1	13-Arm	10.2	10.60	8 7/16	3 1/32	2 1/2	1/2	1/4	4 1/8	3/4	1 3/4	9/32	19.49
2TC106	Q1	13-Arm	10.6	11.00	8 13/16	3 1/32	2 1/2	1/2	1/4	4 1/8	3/4	1 3/4	9/32	20.55
2TC110	Q1	13-Arm	11.0	11.40	9 1/4	3 1/32	2 1/2	1/2	1/4	4 1/8	3/4	1 3/4	9/32	21.45
2TC114	Q1	13-Arm	11.4	11.80	9 5/8	3 1/32	2 1/2	1/2	1/4	4 1/8	3/4	1 3/4	9/32	22.47
2TC120	Q1	13-Arm	12.0	12.40	10 1/4	3 1/32	2 1/2	1/2	1/4	4 1/8	3/4	1 3/4	9/32	23.96
2TC130	Q1	13-Arm	13.0	13.40	11 1/4	3 1/32	2 1/2	1/2	1/4	4 1/8	3/4	1 3/4	9/32	26.28
2TC160	Q1	13-Arm	16.0	16.40	14 1/4	3 1/32	2 1/2	1/2	1/4	4 1/8	3/4	1 3/4	9/32	34.72
2TC200	Q1	13-Arm	20.0	20.40	18 1/4	3 1/32	2 1/2	1/2	1/4	4 1/8	3/4	1 3/4	9/32	47.18
2TC240	Q1	13-Arm	24.0	24.40	22 1/4	3 1/32	2 1/2	1/2	1/4	4 1/8	3/4	1 3/4	9/32	67.24

Table No.5

Part No.	Bushing	Type	DIAMETERS			3 GROOVES,F =3 1/4"								Wt. Less Bush.
			Datum "C"	Outside	Inside	Dimensions								
						O.L.	L	P	C	H	G	X	E	
3TC70	Q1	13-Web	7.0"	7.40	5 1/4	3 17/32	2 1/2	0	3/4	4 1/8	3/4	1 3/4	9/32	15.48
3TC72	Q1	13-Web	7.2	7.60	5 7/16	3 17/32	2 1/2	0	3/4	4 1/8	3/4	1 3/4	9/32	16.01
3TC74	Q1	13-Web	7.4	7.80	5 5/8	3 17/32	2 1/2	0	3/4	4 1/8	3/4	1 3/4	9/32	17.00
3TC76	Q1	13-Web	7.6	8.00	5 13/16	3 17/32	2 1/2	0	3/4	4 1/8	3/4	1 3/4	9/32	17.81
3TC78	Q1	13-Web	7.8	8.20	6	3 17/32	2 1/2	0	3/4	4 1/8	3/4	1 3/4	9/32	18.83
3TC80	Q1	13-Web	8.0	8.40	6 1/4	3 17/32	2 1/2	0	3/4	4 1/8	3/4	1 3/4	9/32	19.86
3TC82	Q1	13-Web	8.2	8.60	6 7/16	3 17/32	2 1/2	0	3/4	4 1/8	3/4	1 3/4	9/32	20.41
3TC84	Q1	13-Web	8.4	8.80	6 5/8	3 17/32	2 1/2	0	3/4	4 1/8	3/4	1 3/4	9/32	21.14
3TC86	Q1	13-Web	8.6	9.00	6 13/16	3 17/32	2 1/2	0	3/4	4 1/8	3/4	1 3/4	9/32	22.22
3TC88	Q1	13-Web	8.8	9.20	7	3 17/32	2 1/2	0	3/4	4 1/8	3/4	1 3/4	9/32	22.88
3TC90	Q1	13-Web	9.0	9.40	7 1/4	3 17/32	2 1/2	0	3/4	4 1/8	3/4	1 3/4	9/32	23.28
3TC92	Q1	13-Web	9.2	9.60	7 7/16	3 17/32	2 1/2	0	3/4	4 1/8	3/4	1 3/4	9/32	24.56
3TC94	Q1	13-Arm	9.4	9.80	7 5/8	3 17/32	2 1/2	0	3/4	4 1/8	3/4	1 3/4	9/32	23.06
3TC96	Q1	13-Arm	9.6	10.00	7 13/16	3 17/32	2 1/2	0	3/4	4 1/8	3/4	1 3/4	9/32	23.52
3TC98	Q1	13-Arm	9.8	10.20	8	3 17/32	2 1/2	0	3/4	4 1/8	3/4	1 3/4	9/32	23.99
3TC100	Q1	13-Arm	10.0	10.40	8 1/4	3 17/32	2 1/2	0	3/4	4 1/8	3/4	1 3/4	9/32	23.59
3TC102	Q1	13-Arm	10.2	10.60	8 7/16	3 17/32	2 1/2	0	3/4	4 1/8	3/4	1 3/4	9/32	24.89
3TC106	Q1	13-Arm	10.6	11.00	8 13/16	3 17/32	2 1/2	0	3/4	4 1/8	3/4	1 3/4	9/32	25.90
3TC110	Q1	13-Arm	11.0	11.40	9 1/4	3 17/32	2 1/2	0	3/4	4 1/8	3/4	1 3/4	9/32	26.68
3TC114	Q1	13-Arm	11.4	11.80	9 5/8	3 17/32	2 1/2	0	3/4	4 1/8	3/4	1 3/4	9/32	28.26
3TC120	Q1	13-Arm	12.0	12.40	10 1/4	3 17/32	2 1/2	0	3/4	4 1/8	3/4	1 3/4	9/32	29.59
3TC130	Q1	13-Arm	13.0	13.40	11 1/4	3 17/32	2 1/2	0	3/4	4 1/8	3/4	1 3/4	9/32	32.78
3TC160	Q1	13-Arm	16.0	16.40	14 1/4	3 17/32	2 1/2	0	3/4	4 1/8	3/4	1 3/4	9/32	42.99
3TC200	Q1	13-Arm	20.0	20.40	18 1/4	3 17/32	2 1/2	0	3/4	4 1/8	3/4	1 3/4	9/32	60.63
3TC240	Q1	13-Arm	24.0	24.40	22 1/4	3 17/32	2 1/2	0	3/4	4 1/8	3/4	1 3/4	9/32	88.18



For Use with All "C" Section Belts

Table No.6

Specifications—Stock "TC" Sheaves

Part No.	Bushing	Type	DIAMETERS			4 GROOVES,F =4 1/4"									Wt. Less Bush.
			Datum "C"	Outside	Inside	Dimensions									
						O.L.	L	P	C	H	G	X	E		
4TC70	Q2	13-Web	7.0"	7.40	5 1/4	4 17/32	3 1/2	0	3/4	4 1/8	3/4	2 3/4	9/32	22.18	
4TC72	Q2	13-Web	7.2	7.60	5 7/16	4 17/32	3 1/2	0	3/4	4 1/8	3/4	2 3/4	9/32	23.55	
4TC74	Q2	13-Web	7.4	7.80	5 5/8	4 17/32	3 1/2	0	3/4	4 1/8	3/4	2 3/4	9/32	23.88	
4TC76	Q2	13-Web	7.6	8.00	5 13/16	4 17/32	3 1/2	0	3/4	4 1/8	3/4	2 3/4	9/32	24.63	
4TC78	Q2	13-Web	7.8	8.20	6	4 17/32	3 1/2	0	3/4	4 1/8	3/4	2 3/4	9/32	26.46	
4TC80	Q2	13-Web	8.0	8.40	6 1/4	4 17/32	3 1/2	0	3/4	4 1/8	3/4	2 3/4	9/32	27.43	
4TC82	Q2	13-Web	8.2	8.60	6 7/16	4 17/32	3 1/2	0	3/4	4 1/8	3/4	2 3/4	9/32	28.59	
4TC84	Q2	13-Web	8.4	8.80	6 5/8	4 17/32	3 1/2	0	3/4	4 1/8	3/4	2 3/4	9/32	29.85	
4TC86	Q2	13-Web	8.6	9.00	6 13/16	4 17/32	3 1/2	0	3/4	4 1/8	3/4	2 3/4	9/32	30.95	
4TC88	Q2	13-Web	8.8	9.20	7	4 17/32	3 1/2	0	3/4	4 1/8	3/4	2 3/4	9/32	32.25	
4TC90	Q2	13-Web	9.0	9.40	7 1/4	4 17/32	3 1/2	0	3/4	4 1/8	3/4	2 3/4	9/32	33.09	
4TC92	Q2	13-Web	9.2	9.60	7 7/16	4 17/32	3 1/2	0	3/4	4 1/8	3/4	2 3/4	9/32	33.97	
4TC94	Q2	13-Arm	9.4	9.80	7 5/8	4 17/32	3 1/2	0	3/4	4 1/8	3/4	2 3/4	9/32	31.13	
4TC96	Q2	13-Arm	9.6	10.00	7 13/16	4 17/32	3 1/2	0	3/4	4 1/8	3/4	2 3/4	9/32	32.03	
4TC98	Q2	13-Arm	9.8	10.20	8	4 17/32	3 1/2	0	3/4	4 1/8	3/4	2 3/4	9/32	32.63	
4TC100	Q2	13-Arm	10.0	10.40	8 1/4	4 17/32	3 1/2	0	3/4	4 1/8	3/4	2 3/4	9/32	33.11	
4TC102	Q2	13-Arm	10.2	10.60	8 7/16	4 17/32	3 1/2	0	3/4	4 1/8	3/4	2 3/4	9/32	33.75	
4TC106	Q2	13-Arm	10.6	11.00	8 13/16	4 17/32	3 1/2	0	3/4	4 1/8	3/4	2 3/4	9/32	35.01	
4TC110	Q2	13-Arm	11.0	11.40	9 1/4	4 17/32	3 1/2	0	3/4	4 1/8	3/4	2 3/4	9/32	36.53	
4TC114	Q2	13-Arm	11.4	11.80	9 5/8	4 17/32	3 1/2	0	3/4	4 1/8	3/4	2 3/4	9/32	37.74	
4TC120	Q2	13-Arm	12.0	12.40	10 1/4	4 17/32	3 1/2	0	3/4	4 1/8	3/4	2 3/4	9/32	39.95	
4TC130	Q2	13-Arm	13.0	13.40	11 1/4	4 17/32	3 1/2	0	3/4	4 1/8	3/4	2 3/4	9/32	44.20	
4TC160	Q2	13-Arm	16.0	16.40	14 1/4	4 17/32	3 1/2	0	3/4	4 1/8	3/4	2 3/4	9/32	56.22	
4TC200	Q2	13-Arm	20.0	20.40	18 1/4	4 17/32	3 1/2	0	3/4	4 1/8	3/4	2 3/4	9/32	78.26	
4TC240	Q2	13-Arm	24.0	24.40	22 1/4	4 17/32	3 1/2	0	3/4	4 1/8	3/4	2 3/4	9/32	102.51	

Table No.7

Part No.	Bushing	Type	DIAMETERS			5 GROOVES,F =5 1/4"									Wt. Less Bush.
			Datum "C"	Outside	Inside	Dimensions									
						O.L.	L	P	C	H	G	X	E		
5TC70	Q2	15-Web	7.0"	7.40	5 1/4	5 1/4	3 1/2	1/2	1 1/4	4 1/8	3/4	2 3/4	9/32	24.87	
5TC72	Q2	15-Web	7.2	7.60	5 7/16	5 1/4	3 1/2	1/2	1 1/4	4 1/8	3/4	2 3/4	9/32	26.50	
5TC74	Q2	15-Web	7.4	7.80	5 5/8	5 1/4	3 1/2	1/2	1 1/4	4 1/8	3/4	2 3/4	9/32	27.65	
5TC76	Q2	15-Web	7.6	8.00	5 13/16	5 1/4	3 1/2	1/2	1 1/4	4 1/8	3/4	2 3/4	9/32	28.35	
5TC78	Q2	15-Web	7.8	8.20	6	5 1/4	3 1/2	1/2	1 1/4	4 1/8	3/4	2 3/4	9/32	30.38	
5TC80	Q2	15-Web	8.0	8.40	6 1/4	5 1/4	3 1/2	1/2	1 1/4	4 1/8	3/4	2 3/4	9/32	30.47	
5TC82	Q2	15-Web	8.2	8.60	6 7/16	5 1/4	3 1/2	1/2	1 1/4	4 1/8	3/4	2 3/4	9/32	32.21	
5TC84	Q2	15-Web	8.4	8.80	6 5/8	5 1/4	3 1/2	1/2	1 1/4	4 1/8	3/4	2 3/4	9/32	32.92	
5TC86	Q2	15-Web	8.6	9.00	6 13/16	5 1/4	3 1/2	1/2	1 1/4	4 1/8	3/4	2 3/4	9/32	34.30	
5TC88	Q2	15-Web	8.8	9.20	7	5 1/4	3 1/2	1/2	1 1/4	4 1/8	3/4	2 3/4	9/32	35.91	
5TC90	Q2	15-Web	9.0	9.40	7 1/4	5 1/4	3 1/2	1/2	1 1/4	4 1/8	3/4	2 3/4	9/32	36.55	
5TC92	Q2	15-Web	9.2	9.60	7 7/16	5 1/4	3 1/2	1/2	1 1/4	4 1/8	3/4	2 3/4	9/32	37.96	
5TC94	Q2	15-Arm	9.4	9.80	7 5/8	5 1/4	3 1/2	1/2	1 1/4	4 1/8	3/4	2 3/4	9/32	35.85	
5TC96	Q2	15-Arm	9.6	10.00	7 13/16	5 1/4	3 1/2	1/2	1 1/4	4 1/8	3/4	2 3/4	9/32	36.22	
5TC98	Q2	15-Arm	9.8	10.20	8	5 1/4	3 1/2	1/2	1 1/4	4 1/8	3/4	2 3/4	9/32	38.25	
5TC100	Q2	15-Arm	10.0	10.40	8 1/4	5 1/4	3 1/2	1/2	1 1/4	4 1/8	3/4	2 3/4	9/32	37.68	
5TC102	Q2	15-Arm	10.2	10.60	8 7/16	5 1/4	3 1/2	1/2	1 1/4	4 1/8	3/4	2 3/4	9/32	37.92	
5TC106	Q2	15-Arm	10.6	11.00	8 13/16	5 1/4	3 1/2	1/2	1 1/4	4 1/8	3/4	2 3/4	9/32	40.79	
5TC110	Q2	15-Arm	11.0	11.40	9 1/4	5 1/4	3 1/2	1/2	1 1/4	4 1/8	3/4	2 3/4	9/32	40.83	
5TC114	Q2	15-Arm	11.4	11.80	9 5/8	5 1/4	3 1/2	1/2	1 1/4	4 1/8	3/4	2 3/4	9/32	42.24	
5TC120	Q2	15-Arm	12.0	12.40	10 1/4	5 1/4	3 1/2	1/2	1 1/4	4 1/8	3/4	2 3/4	9/32	45.66	
5TC130	Q2	15-Arm	13.0	13.40	11 1/4	5 1/4	3 1/2	1/2	1 1/4	4 1/8	3/4	2 3/4	9/32	50.42	
5TC160	Q2	15-Arm	16.0	16.40	14 1/4	5 1/4	3 1/2	1/2	1 1/4	4 1/8	3/4	2 3/4	9/32	66.14	
5TC200	Q2	15-Arm	20.0	20.40	18 1/4	5 1/4	3 1/2	1/2	1 1/4	4 1/8	3/4	2 3/4	9/32	91.49	
5TC240	Q2	15-Arm	24.0	24.40	22 1/4	5 1/4	3 1/2	1/2	1 1/4	4 1/8	3/4	2 3/4	9/32	115.08	

TA/TB/TC series

For Use with All "C" Section Belts

Table No.8 Specifications—Stock "TC" Sheaves

Part No.	Bushing	Type	DIAMETERS			6 GROOVES, F = 6 1/4"								Wt. Less Bush.
			Datum "C"	Outside	Inside	Dimensions								
						O.L.	L	P	C	H	G	X	E	
6TC70	Q2	15-Web	7.0"	7.40	5 1/4	6 1/4	3 1/2	1	1 3/4	4 1/8	3/4	2 3/4	9/32	27.62
6TC72	Q2	15-Web	7.2	7.60	5 7/16	6 1/4	3 1/2	1	1 3/4	4 1/8	3/4	2 3/4	9/32	29.30
6TC74	Q2	15-Web	7.4	7.80	5 5/8	6 1/4	3 1/2	1	1 3/4	4 1/8	3/4	2 3/4	9/32	30.75
6TC76	Q2	15-Web	7.6	8.00	5 13/16	6 1/4	3 1/2	1	1 3/4	4 1/8	3/4	2 3/4	9/32	31.57
6TC78	Q2	15-Web	7.8	8.20	6	6 1/4	3 1/2	1	1 3/4	4 1/8	3/4	2 3/4	9/32	33.47
6TC80	Q2	15-Web	8.0	8.40	6 1/4	6 1/4	3 1/2	1	1 3/4	4 1/8	3/4	2 3/4	9/32	33.58
6TC82	Q2	15-Web	8.2	8.60	6 7/16	6 1/4	3 1/2	1	1 3/4	4 1/8	3/4	2 3/4	9/32	35.38
6TC84	Q2	15-Web	8.4	8.80	6 5/8	6 1/4	3 1/2	1	1 3/4	4 1/8	3/4	2 3/4	9/32	36.55
6TC86	Q2	15-Web	8.6	9.00	6 13/16	6 1/4	3 1/2	1	1 3/4	4 1/8	3/4	2 3/4	9/32	38.18
6TC88	Q2	15-Web	8.8	9.20	7	6 1/4	3 1/2	1	1 3/4	4 1/8	3/4	2 3/4	9/32	39.42
6TC90	Q2	15-Web	9.0	9.40	7 1/4	6 1/4	3 1/2	1	1 3/4	4 1/8	3/4	2 3/4	9/32	40.32
6TC92	Q2	15-Web	9.2	9.60	7 7/16	6 1/4	3 1/2	1	1 3/4	4 1/8	3/4	2 3/4	9/32	41.73
6TC94	Q2	15-Arm	9.4	9.80	7 5/8	6 1/4	3 1/2	1	1 3/4	4 1/8	3/4	2 3/4	9/32	39.20
6TC96	Q2	15-Arm	9.6	10.00	7 13/16	6 1/4	3 1/2	1	1 3/4	4 1/8	3/4	2 3/4	9/32	40.54
6TC98	Q2	15-Arm	9.8	10.20	8	6 1/4	3 1/2	1	1 3/4	4 1/8	3/4	2 3/4	9/32	42.20
6TC100	Q2	15-Arm	10.0	10.40	8 1/4	6 1/4	3 1/2	1	1 3/4	4 1/8	3/4	2 3/4	9/32	42.09
6TC102	Q2	15-Arm	10.2	10.60	8 7/16	6 1/4	3 1/2	1	1 3/4	4 1/8	3/4	2 3/4	9/32	42.48
6TC106	Q2	15-Arm	10.6	11.00	8 13/16	6 1/4	3 1/2	1	1 3/4	4 1/8	3/4	2 3/4	9/32	45.68
6TC110	Q2	15-Arm	11.0	11.40	9 1/4	6 1/4	3 1/2	1	1 3/4	4 1/8	3/4	2 3/4	9/32	46.72
6TC114	Q2	15-Arm	11.4	11.80	9 5/8	6 1/4	3 1/2	1	1 3/4	4 1/8	3/4	2 3/4	9/32	48.55
6TC120	Q2	15-Arm	12.0	12.40	10 1/4	6 1/4	3 1/2	1	1 3/4	4 1/8	3/4	2 3/4	9/32	51.28
6TC130	Q2	15-Arm	13.0	13.40	11 1/4	6 1/4	3 1/2	1	1 3/4	4 1/8	3/4	2 3/4	9/32	57.19
6TC160	Q2	15-Arm	16.0	16.40	14 1/4	6 1/4	3 1/2	1	1 3/4	4 1/8	3/4	2 3/4	9/32	76.28
6TC200	Q2	15-Arm	20.0	20.40	18 1/4	6 1/4	3 1/2	1	1 3/4	4 1/8	3/4	2 3/4	9/32	100.97
6TC240	Q2	15-Arm	24.0	24.40	22 1/4	6 1/4	3 1/2	1	1 3/4	4 1/8	3/4	2 3/4	9/32	133.16

TATB/TC series