

1008 through 3030

3535 through 5050

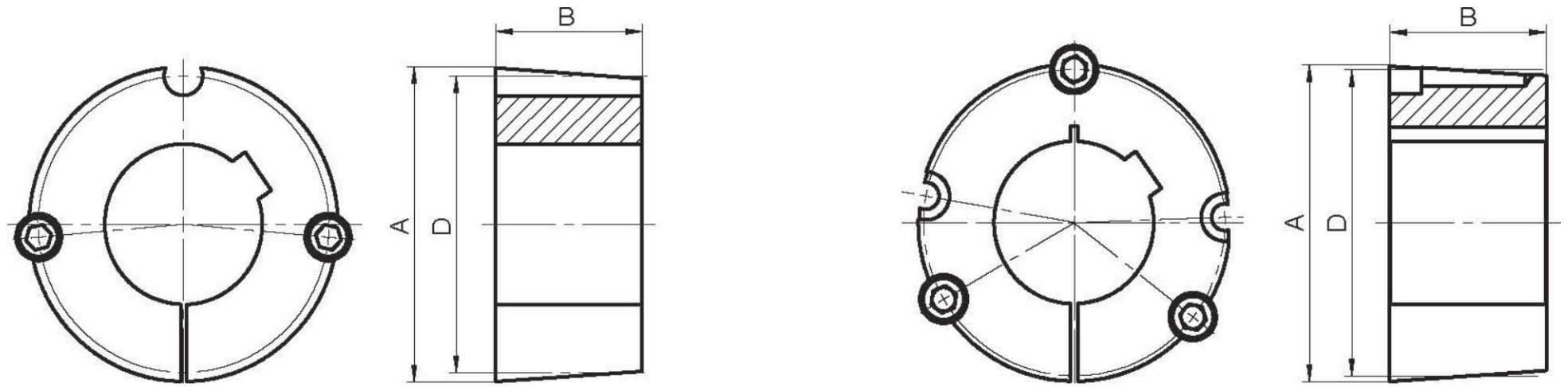


Table No.1 Bushings Specifications and Dimensions(inches)

Bushing No.	A	B	D Bolt Circle	Capscrews		Stock Bore Range			Wrench Torque in.lbs.	Torque Cap.Lb. In.	Wt. lbs
				Dia.	length	min	Max				
							Std Kw.	Shallow Kw.			
1008	1 25/64	7/8	1 21/64	1/4	1/2	1/2	7/8	1	55	1,200	.27
1108	1.511	7/8	1 29/64	1/4	1/2	1/2	1	1 1/8	55	1,300	.33
1210	1 7/8	1	1 3/4	3/8	5/8	1/2	1 1/4	1 1/4	175	3,600	.61
1215	1 7/8	1 1/2	1 3/4	3/8	5/8	1/2	1 1/4	1 1/4	175	3,550	.80
1610	2 1/4	1	2 1/8	3/8	5/8	1/2	1 1/2	1 11/16	175	4,300	.90
1615	2 1/4	1 1/2	2 1/8	3/8	5/8	1/2	1 1/2	1 11/16	175	4,300	1.2
2012	2 3/4	1 1/4	2 5/8	7/16	7/8	1/2	1 7/8	2 1/8	280	7,150	1.70
2517	3 3/8	1 3/4	3 1/4	1/2	1	1/2	2 1/4	2 11/16	430	11,600	3.5
2525	3 3/8	2 1/2	3 1/4	1/2	1	3/4	2 1/4	2 1/2	430	11,300	4.9
3020	4 1/4	2	4	5/8	1 1/4	7/8	2 3/4	3 1/4	800	24,000	6.5
3030	4 1/4	3	4	5/8	1 1/4	15/16	2 3/4	3 1/4	800	24,000	9.2
3535	5	3 1/2	4.83	1/2	1 1/2	1 3/16	3 1/4	3 15/16	1000	44,800	14.00
4040	5 3/4	4	5.54	5/8	1 3/4	1 7/16	3 5/8	4 7/16	1700	77,300	22
4545	6 3/8	4 1/2	6.13	3/4	2	1 15/16	4 1/4	4 15/16	2450	110,000	30
5050	7	5	6.72	7/8	2 1/4	2	4 1/2	5	3100	126,000	38

Table No.2 Stock Bushing Bore

	1008	1108	1210	1215	1610	1615	2012	2517	2525	3020	3030	3535
1/2	001217	001796	002094	049438	003361	049150	005383	006650	-	-	-	-
9/16	049337	001955	002290	002441	003683	049171	049017	048788	-	-	-	-
5/8	001331	001938	049434	049441	049146	003897	005728	007091	-	-	-	-
11/16	001230	001810	002106	049440	003375	003704	005391	006661	-	-	-	-
3/4	001323	001928	002255	002413	003585	003835	005618	048773	007284	-	-	-
13/16	049719	001830	002145	002344	003428	003736	005446	006727	007184	-	-	-
7/8	049336	001948	002285	002437	003678	003903	005745	007150	007363	011280	-	-
15/16	001256 *	049398	002164	002351	003459	003751	005477	006763	007196	010935	CP048373	-
1	001287 *	001874	002199	002381	003513	049161	005541	006837	007221	010964	CP011372	-
1 1/16	-	001809 *	002105	049439	003374	003703	005390	006660	048789	010875	CP011317	-
1 1/8	-	001816 *	002125	002329	003402	003722	005417	006692	007172	010892	CP011328	-
1 3/16	-	-	002144	002343	003427	003735	005445	006726	007183	010911	CP011337	CP012329
1 1/4	-	-	002114	002324	003391	003716	005410	006679	007167	048333	CP011324	CP012313
1 5/16	-	-	-	-	003458	003750	005476	006762	007195	010934	CP048372	CP012345
1 3/8	-	-	-	-	003438	003738	005460	006748	007192	010924	CP011346	CP012341

Table No.2

Stock Bushing Bore

	1610	1615	2012	2517	2525	3020	3030	3535	4040	4545	5050
1 7/16	003484	003769	005502	006798	048790	010949	011359	048247	014357	-	-
1 1/2	003383	003709	005402	006669	007162	010879	011320	012308	014337	-	-
1 9/16	003500 *	003778 *	005525	006821	007213	010957	011366	012363	014363	-	-
1 5/8	003467 *	003754 *	005484	006774	007200	010942	011355	012348	014354	-	-
1 11/16	003410 *	003725 *	005423	006701	007176	010898	011330	012320	014344	-	-
1 3/4	-	-	005453	006735	007187	010918	011341	012336	014349	-	-
1 13/16	-	-	005427	006705	007178	010903	011333	012324	049534	-	-
1 7/8	-	-	048997	006807	007208	048338	011363	012357	049535	-	-
1 15/16	-	003726	048990 *	006711	007181	010906	011335	048244	014347	015218	-
2	-	-	005611 *	006952	048800	011101	011447	012449	014420	048034	047966
2 1/16	-	-	-	006860	048792	010983	011378	012368	014366	015234	-
2 1/8	-	-	005566 *	006883	007245	011001	011391	012387	014379	048030	-
2 3/16	-	-	-	006897	048796	011027	011404	012402	014390	015255	-
2 1/4	-	-	-	006872	007241	010995	011387	012378	049537	015243	-
2 5/16	-	-	-	006916 *	048799 *	011050	011419	012423	014405	015264	-
2 3/8	-	-	-	006902 *	007255 *	048343	011414	012415	049539	015262	-
2 7/16	-	-	-	006933 *	007269 *	011075	011432	012435	014412	015270	016621
2 1/2	-	-	-	006866 *	007237 *	010989	011382	048249	014369	015237	016604
2 9/16	-	-	-	-	-	011095	011444	-	014417	-	-
2 5/8	-	-	-	048769 *	-	011055	048376	012427	014408	015266	016618

	3020	3030	3535	4040	4545	5050
2 11/16	011008	048375	012393	014383	015249	016606
2 3/4	011033 *	011409	012409	014396	048031	016613
2 13/16	048340 *	011396 *	048250	014385	015251	016608
2 7/8	011083 *	011437 *	012441	014415	048032	016626
2 15/16	011018 *	011400 *	048251	049538	015253	016610
3	011174 *	011496 *	012530	014489	015333	016678
3 1/16	-	-	012462	-	-	-
3 1/8	011125 *	011466 *	048255	014439	015293	016643
3 3/16	048353 *	011474 *	012485	014449	015303	016651
3 1/4	011123 *	048379 *	012473	014434	015288	016638
3 5/16	-	-	012496 *	014464	015317	016667
3 3/8	-	-	012491 *	049541	015312	016662
3 7/16	-	-	012514 *	014477	015325	016674
3 1/2	-	-	012466 *	014428	015281	016632
3 9/16	-	-	-	014485	-	-
3 5/8	-	-	012500 *	014466	015319	016669
3 11/16	-	-	012479 *	014442 *	015295	016648
3 3/4	-	-	012487 *	014453 *	015307	016655
3 13/16	-	-	-	014443 *	-	-
3 7/8	-	-	012517 *	014482 *	015329	016675
3 15/16	-	-	048256 *	049540 *	015298	047968

	4040	4545	5050
4	014528 *	015387	016726
4 1/8	014505 *	048038	016699
4 3/16	014510 *	015367	016703
4 1/4	049545 *	015353	016694
4 3/8	049547 *	015371 *	016712
4 7/16	014518 *	015376 *	016717
4 1/2	-	015346 *	016685
4 7/8	-	015380 *	016719 *
4 15/16	-	015361 *	016701 *
5	-	-	016741 *

Table No.3

Bore Range	Keyseat	Bore Range	Keyseat
1/2-9/16	1/8x1/8	2 5/16-2 3/4	5/8x5/8
5/8-7/8	3/16x3/16	2 13/16-3 1/4	3/4x3/4
15/16-1 1/4	1/4x1/4	3 3/8-3 3/4	7/8x7/8
1 5/16- 1 3/8	5/16x5/16	3 7/8-4 1/2	1x1
1 7/16-1 3/4	3/8x3/8	4 5/8-5	1 1/4x1 1/4
1 13/16-2 1/4	1/2x1/2		

Table No.2 Stock Millimeter Bore Bushings

Bore	Keyseat	1008	1108	1210	1215	1610	1615	2012	2517	2525	3020	3030
9MM	3x1.4	001353	-	-	-	-	-	-	-	-	-	-
10MM	3x1.4	001226	049393	-	-	-	-	-	-	-	-	-
11MM	4x1.8	001234	001819	002133	-	-	-	-	-	-	-	-
12MM	4x1.8	001241	001825	002138	002338	003419	'003729	005437	006717	-	-	-
14MM	5x2.3	001251	049397	002158	002347	003450	'003745	005468	006755	-	-	-
15MM	5x2.3	001261	001844	002168	002354	003473	'003758	005491	006781	-	-	-
16MM	5x2.3	001268	001852	002173	002359	049132	'003765	005495	006791	-	-	-
18MM	6x2.8	001275	001861	002181	002368	003496	'003774	005521	006816	-	-	-
19MM	6x2.8	001281	049400	002189	002373	003506	'003782	005533	006828	007216	-	-
20MM	6x2.8	001296	001882	002210	002388	003531	'003798	005562	006855	007232	-	-
22MM	6x2.8	001302	001892	002218	002393	003537	'003804	005569	006892	007250	011022	011402
24MM	8x3.3	001311	'001899	002228	002398	003552	'003809	005583	'006912	007260	011047	011417
25MM	8x3.3	-	'001907	002237	002403	003565	'049164	049002	'006925	007265	011067	011428
28MM	8x3.3	-	-	049430	002408	003576	'003830	005605	'006944	007273	011092	011441
30MM	8x3.3	-	-	002266	002420	003595	'003843	005627	'006971	007289	011120	011461
32MM	10x3.3	-	-	002274	002427	003603	'003854	005637	'006981	007295	011132	011470
Bore	Keyseat	1610	1615	2012	2517	2525	3020	3030	3535	4040	4545	5050
35MM	10x3.3	003618	003863	005650	006997	007301	011152	011479	'012506	-	-	-
36MM	10x3.3	003623	003866	005660	007002	007305	011157	011484	'012510	-	-	-
38MM	10x3.3	003632	003872	005670	007019	007310	048355	011490	'012524	-	-	-
39MM	12x3.3	003642	003876	005681	007028	'007313	011170	011494	'012527	-	-	-
40MM	12x3.3	003651	003883	005684	007039	'007318	011187	011502	'012544	014500	-	-
42MM	12x3.3	003665	003892	005693	007052	'007324	011196	011510	'012551	'074342	-	-
45MM	14x3.8	-	-	005704	007067	'007330	011206	011516	'012557	'074343	-	-
48MM	14x3.8	-	-	005717	007085	'007338	011216	011522	'012569	'014522	-	-
50MM	16x4.3	-	-	005738	048783	'007344	011230	011530	'012579	'014534	-	-
55MM	16x4.3	-	-	-	007115	'007350	048362	011537	'048263	'014541	015399	016735
60MM	18x4.4	-	-	-	007132	'007356	011261	011545	'012599	'014549	015408	016750
65MM	18x4.4	-	-	-	007142	-	011274	011554	'012607	'014555	015416	016756
70MM	20x4.9	-	-	-	-	-	011289	011563	'012618	'014567	015422	016763
75MM	20x4.9	-	-	-	-	-	011304	011571	'012630	'014577	015429	016768
80MM	22x5.4	-	-	-	-	-	011310	011577	'082039	014585	015437	016775
85MM	22x5.4	-	-	-	-	-	-	-	012655	014593	015444	016782
90MM	25x5.4	-	-	-	-	-	-	-	012663	014606	015455	016788
95MM	25x5.4	-	-	-	-	-	-	-	-	014614	015463	016796
100MM	28x6.4	-	-	-	-	-	-	-	-	049531	'015198	016547
105MM	28x6.4	-	-	-	-	-	-	-	-	-	'015203	016556
110MM	28x6.4	-	-	-	-	-	-	-	-	-	'015212	016566
115MM	32x7.4	-	-	-	-	-	-	-	-	-	'015224	016573
120MM	32x7.4	-	-	-	-	-	-	-	-	-	'015229	016582
125MM	32x7.4	-	-	-	-	-	-	-	-	-	-	047965

TB Bushings