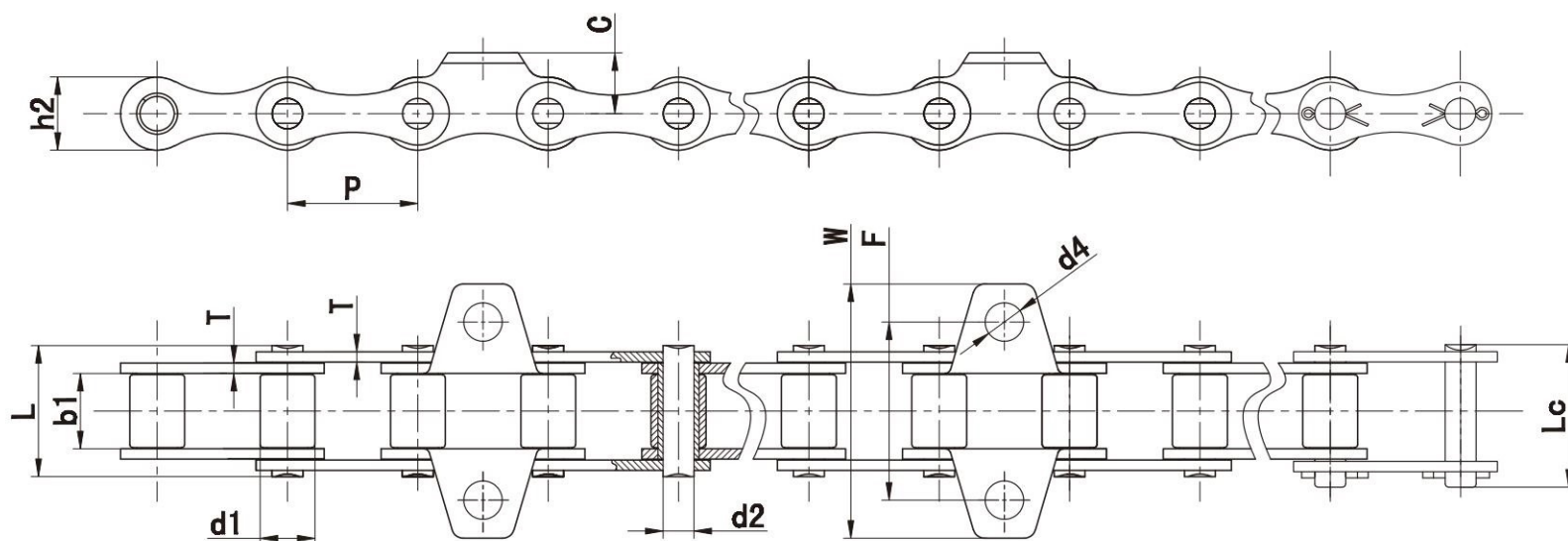
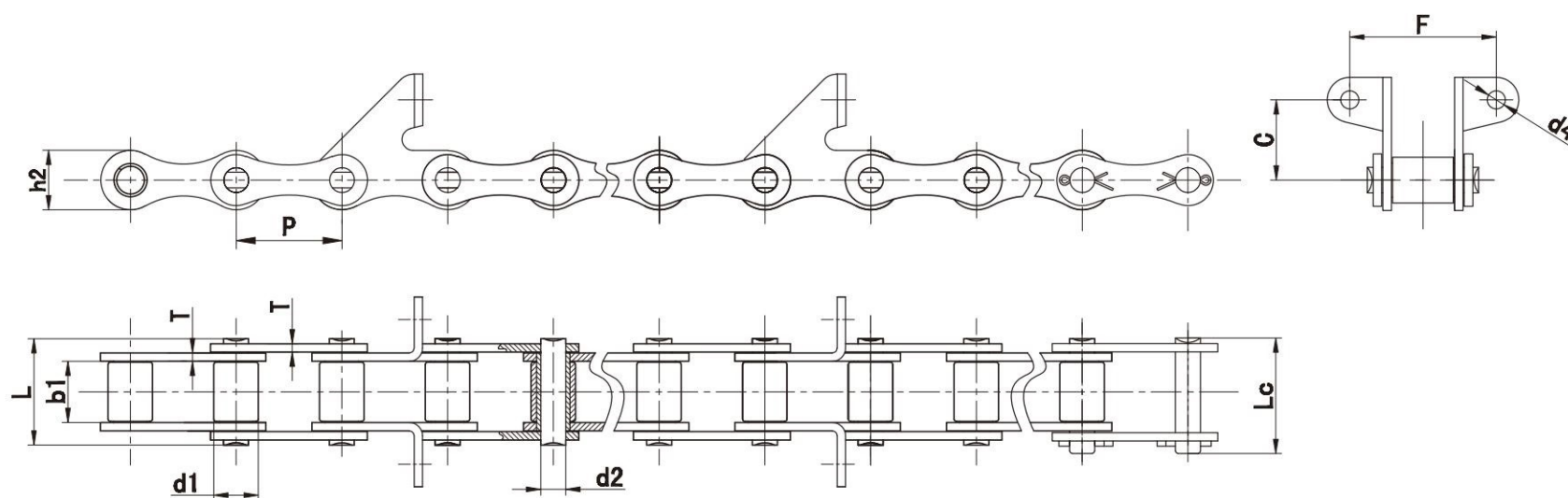


用于小麦作物的喂入、提升等用途
Using for feeding and hoisting for wheat crops and so on



Chain No.	节距 Pitch	滚子直径 Roller Diameter	内节内宽 Width between Inner Plates	销轴直径 Pin Diameter	销轴长度 Pin Length		内链板高度 Inner Plate Depth	链板厚度 Plate Thickness	附板尺寸			极限拉伸载荷 Ultimate Tensile Strength	平均拉伸载荷 Average Tensile Strength	
	p	d1 max	b1 min	d2 max	L max	Lc max	h2 max	T max	C	W	F	d4	Q min	Q0
	mm	mm	mm	mm	mm	mm	mm	mm	mm	mm	mm	mm	kN/LB	kN
GS38P2	38.0	16.0	22.0	9.0	39.0	42.0	21.5	3.0	20.0	72.0	52.0	11.1	40.0/9091	55.3
GS38P2S	38.0	16.0	22.0	9.0	39.0	42.0	21.5	3.0	20.0	72.0	52.0	8.5	40.0/9091	55.3
GS38P2SA	38.0	16.0	22.0	9.0	39.0	42.0	21.5	3.0	20.0	72.0	52.0	6.5	40.0/9091	55.3



Chain No.	节距 Pitch	滚子直径 Roller Diameter	内节内宽 Width between Inner Plates	销轴直径 Pin Diameter	销轴长度 Pin Length		内链板高度 Inner Plate Depth	链板厚度 Plate Thickness	附板尺寸			极限拉伸载荷 Ultimate Tensile Strength	平均拉伸载荷 Average Tensile Strength
	p	d1 max	b1 min	d2 max	L max	Lc max	h2 max	T max	C	F	d4	Q min	Q0
	mm	mm	mm	mm	mm	mm	mm	mm	mm	mm	mm	kN/LB	kN
GS38Ld2	38.0	16.0	22.0	9.0	39.0	42.0	21.5	3.0	30.0	52.0	6.5	40.0/9091	55.3