

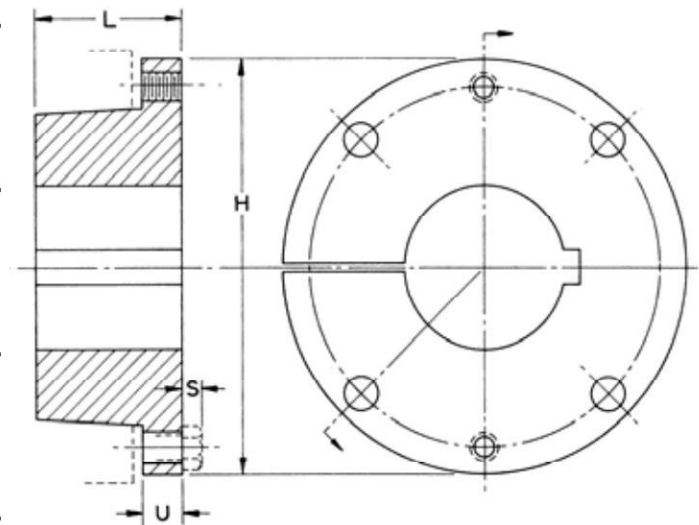
ANSI XT BUSHINGS

Table No. 1

Bushing Part No.	Dimensions				Cap Screws		Wt. Lbs.
	L	U	H	S	No.	Size	
XTB15	1 1/8	3/8	2 7/8	5/32	4	1/4X1	0.7
XTB20	1 13/32	15/32	3 3/4	7/32	4	5/16X1 1/4	1.5
XTB25	1 7/8	5/8	4 7/16	1/4	4	3/8X1 3/4	2.6
XTB30	2 1/16	11/16	5 5/16	9/32	4	7/16X1 1/2	4.2
XTB35	2 15/32	25/32	6 5/16	5/16	4	1/2X1 3/4	7.4
XTB40	2 13/16	7/8	7 1/8	3/8	4	9/16X2	10.5
XTB45	3 5/16	15/16	8	13/32	4	5/8X2 1/4	14.8
XTB50	3 3/4	1	10 1/8	15/32	4	3/4X2 1/2	27.8
XTB60	4 1/8	1 1/8	11 15/16	9/16	4	7/8X2 1/2	42.8
XTB70	4 11/16	1 5/16	13 15/16	5/8	4	1X3	66.3
XTB80	5 1/8	1 3/8	15 5/8	11/16	4	1 1/8X3 1/2	85.7
XTB100	6 3/16	1 9/16	17 15/16	11/16	6	1 1/8X3 1/2	146
XTB120	7 1/16	1 3/4	20 5/8	11/16	8	1 1/8X3 1/2	216

Table No. 2

Bushing Part No.	Stock Bores	Keyseat	Key Supplied
XTB15	5/8, 3/4, 7/8, 1, 1 1/8, 1 3/16, 1 1/4, 1 7/16, 1 1/2	3/16X3/32 1/4X1/8 3/8X1/8	none none 3/8X5/16X1 1/8
XTB20	3/4 1, 1 3/16, 1 1/4 1 7/16, 1 1/2, 1 11/16 1 15/16, 2	3/16X3/32 1/4X1/8 3/8X3/16 1/2X3/16	none none none 1/2X7/16X1 3/8
XTB25	1, 1 3/16, 1 1/4 1 7/16, 1 1/2, 1 11/16, 1 3/4 1 15/16, 2, 2 3/16 2 7/16	1/4X1/8 3/8X3/16 1/2X1/4 5/8X1/8	none none none 5/8X7/16X1 3/4
XTB30	1 7/16, 1 1/2, 1 11/16 1 15/16, 2 3/16 2 7/16, 2 11/16 2 15/16	3/8X3/16 1/2X1/4 5/8X5/16 3/4X3/16	none none none 3/4X9/16X2
XTB35	1 15/16, 2 3/16 2 7/16, 2 11/16 2 15/16 3 7/16	1/2X1/4 5/8X5/16 3/4X3/8 7/8X5/16	none none none 7/8X3/4X2 1/2
XTB40	2 7/16 2 15/16 3 7/16 3 15/16	5/8X5/16 3/4X3/8 7/8X7/16 1X3/8	none none none 1X7/8X2 3/4
XTB45	3 7/16 3 15/16 4 7/16	7/8X7/16 1X1/2 1X3/8	none none 1X7/8X3 1/4
XTB50	3 15/16, 4 7/16 4 15/16	1X1/2 1 1/4X5/8	none none
XTB60	5 7/16, 5 1/2 5 15/16, 6	1 1/4X5/8 1 1/2X3/4	none none
XTB70	6 7/16, 6 1/2 6 15/16, 7	1 1/2X3/4 1 3/4X3/4	none none
XTB80	7 1/2 7 15/16, 8	1 3/4X3/4 2X3/4	none none
XTB100	8 1/2, 9 9 7/16, 9 1/2, 10	2X3/4 2 1/2X7/8	none none
XTB120	10 1/2, 11 11 1/2, 12	2 1/2X7/8 3X1	none none



RECOMMENDED CAP SCREW TORQUE

XT Size	Wrench Torque (in.)	Cap Screw Size
15	95	1/4,
20	200	5/16
25	350	3/8
30	550	7/16
35	840	1/2
40	1200	9/16
45	1680	5/8
50	3000	3/4
60	4800	7/8
70	7200	1
80	9000	1 1/8
100	9000	1 1/8
120	9000	1 1/8