

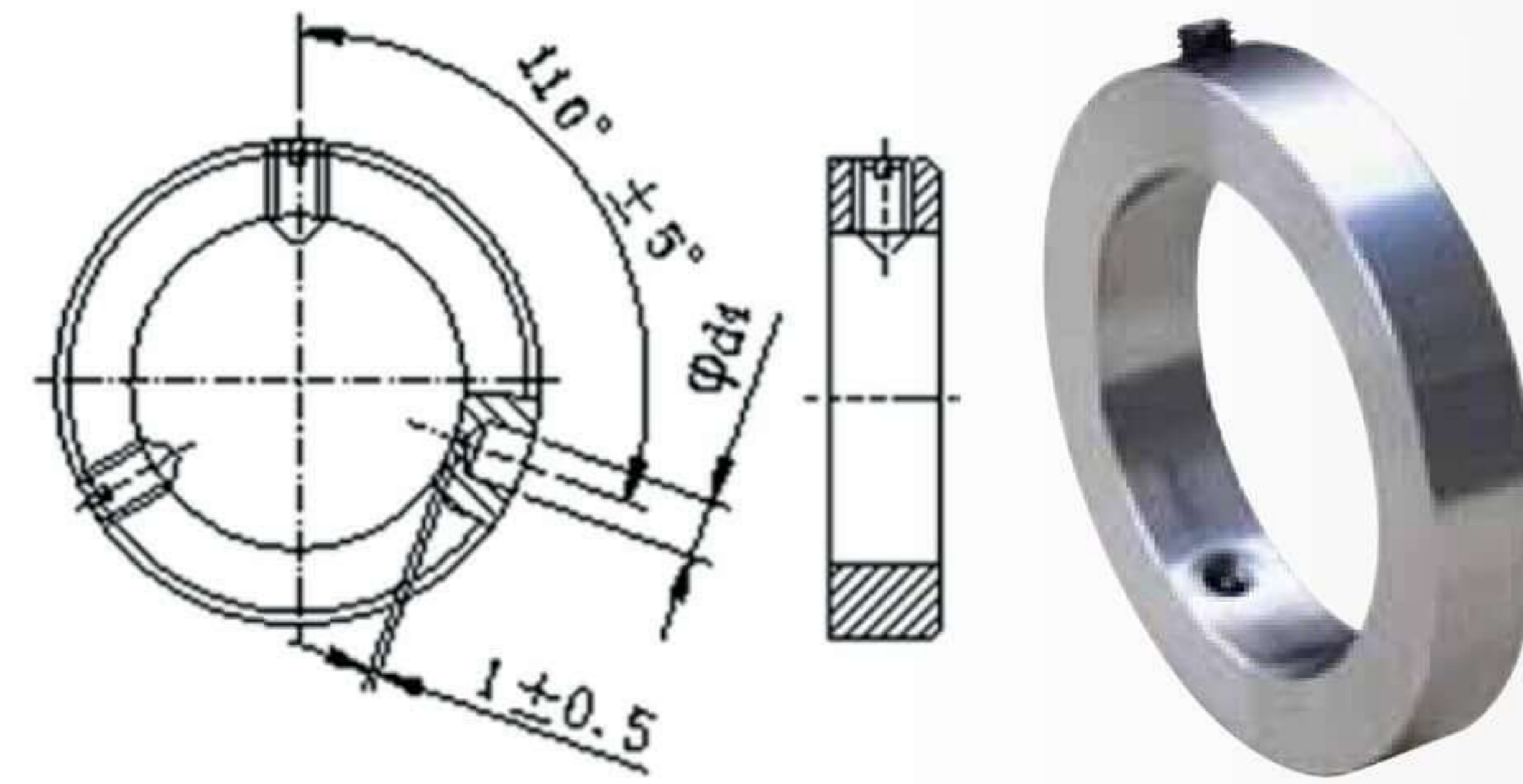
## >> DIN 705 Form C Adjusting Rings --- 102 Series

### Technology information:

1. Our company strictly as per the German standard DIN705 production
2. Material: mild steel; Surface treatment: plain, black oxide, zinc plated, yellow zinc plated.
3. Material: stainless steel(304); Surface treatment: plain, passivation.

The inner hole is not more than 70 millimeter with a cone end slotted set screws DIN553.

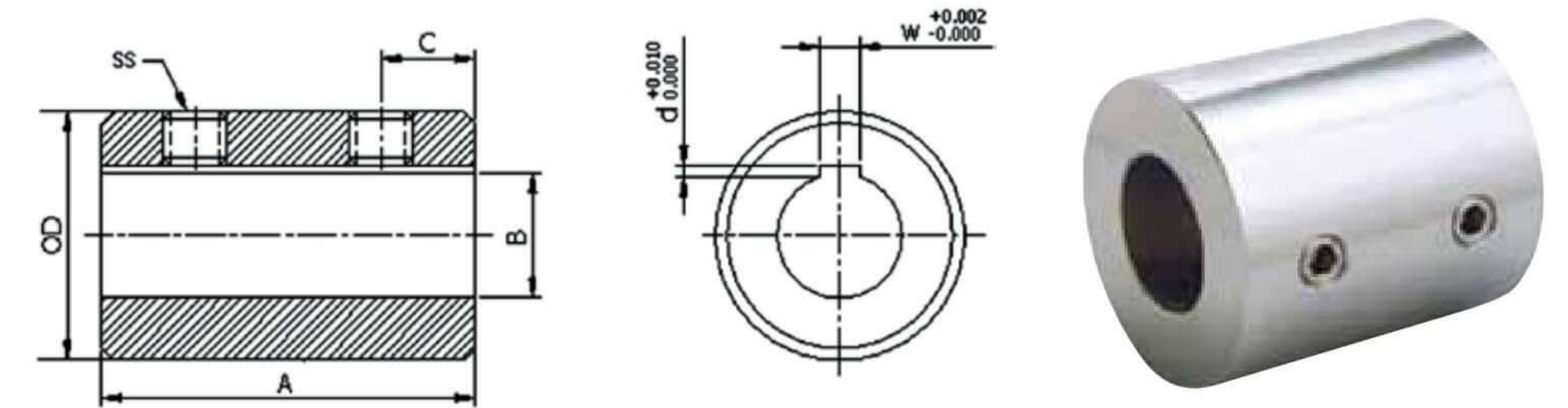
The inner hole is more than 70 millimeter with a cone end slotted set screws DIN914.



FORM C

Products Id			Dimension and Tolerance						BOX	Weight
FORM B			d1 H8	b js14	d2 h13	d3	d4 H11	Screw	Qty	(g)
PLAIN	ZINC	SS 304								
01020 032	01021 032	01024 032	32	16	50	M 8	8	M 8 x 12	5	145.60
01020 035	01021 035	01024 035	35	16	56	M 8	8	M 8 x 12	5	188.51
01020 036	01021 036	01024 036	36	16	56	M 8	8	M 8 x 12	5	181.51
01020 040	01021 040	01024 040	40	18	63	M 10	8	M 10 x 16	5	262.90
01020 045	01021 045	01024 045	45	18	70	M 10	8	M 10 x 16	5	319.06
01020 050	01021 050	01024 050	50	18	80	M 10	10	M 10 x 16	5	432.81
01020 055	01021 055	01024 055	55	18	80	M 10	10	M 10 x 16	5	374.55
01020 056	01021 056	01024 056	56	18	80	M 10	10	M 10 x 16	5	362.23
01020 060	01021 060	01024 060	60	20	90	M 10	10	M 10 x 16	5	554.89
01020 063	01021 063	01024 063	63	20	90	M 10	10	M 10 x 16	5	509.38
01020 065	01021 065	01024 065	65	20	100	M 10	10	M 10 x 20	5	712.10
01020 070	01021 070	01024 070	70	20	100	M 10	10	M 10 x 20	5	628.87
01020 075	01021 075	01024 075	75	22	110	M 12	10	M 12 x 20	5	878.26
01020 080	01021 080	01024 080	80	22	110	M 12	10	M 12 x 20	5	773.14
01020 085	01021 085	01024 085	85	22	125	M 12	12	M 12 x 25	5	1139.36
01020 090	01021 090	01024 090	90	22	125	M 12	12	M 12 x 20	5	1020.68
01020 100	01021 100	01024 100	100	25	140	M 12	12	M 12 x 25	5	1479.69
01020 110	01021 110	01024 110	110	25	160	M 12	12	M 12 x 30	5	2080.82
01020 120	01021 120	01024 120	120	25	160	M 12	12	M 12 x 25	5	1726.31
01020 125	01021 125	01024 125	125	28	180	M 16	16	M 16 x 35	5	2895.88
01020 140	01021 140	01024 140	140	28	200	M 16	16	M 16 x 35	5	3521.67
01020 150	01021 150	01024 150	150	28	200	M 16	16	M 16 x 30	5	3021.04
01020 160	01021 160	01024 160	160	32	220	M 20	-	M 20 x 35	5	4498.27
01020 180	01021 180	01024 180	180	32	250	M 20	-	M 20 x 40	5	5938.50
01020 200	01021 200	01024 200	200	32	280	M 20	-	M 20 x 45	5	7576.03

## >> Inch Rigid Set Screw Couplings/ Keyway --- 205 Series



Products Id		Dimension and Tolerance						
Black Oxide Steel		B	A	OD	SS	C		
No Keyway	With Keyway							
02051 010	02051 011	0.251/0.253	3/4	+/-0.010	1/2	10-32x3/16	3/16	+/-0.010
02051 020	02051 021	0.3135/0.3155	1		5/8	10-32x3/16	1/4	
02051 030	02051 031	0.376/0.378	1		3/4	1/4-20x3/16	1/4	
02051 040	02051 041	0.501/0.503	1-1/2		1	1/4-20x1/4	3/8	
02051 050	02051 051	0.626/0.628	2		1-1/4	5/16-18x5/16	1/2	
02051 060	02051 061	0.751/0.753	2		1-1/2	5/16-18x3/8	1/2	
02051 070	02051 071	0.876/0.878	2		1-3/4	3/8-16x3/8	1/2	
02051 080	02051 081	1.001/1.003	3		2	3/8-16x3/8	3/4	
02051 090	02051 091	1.251/1.253	4		2-1/4	3/8-16x3/8	1	
02051 100	02051 101	1.376/1.378	4-1/2		2-1/2	3/8-16x3/8	1	
02051 110	02051 111	1.501/1.503	4-1/2		2-1/2	3/8-16x3/8	1	