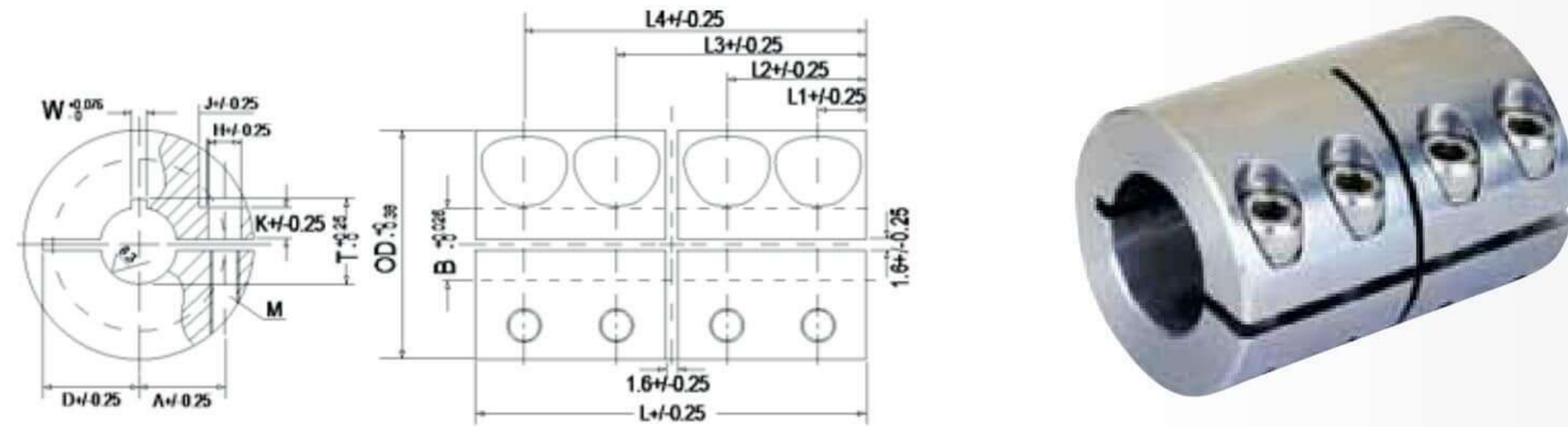
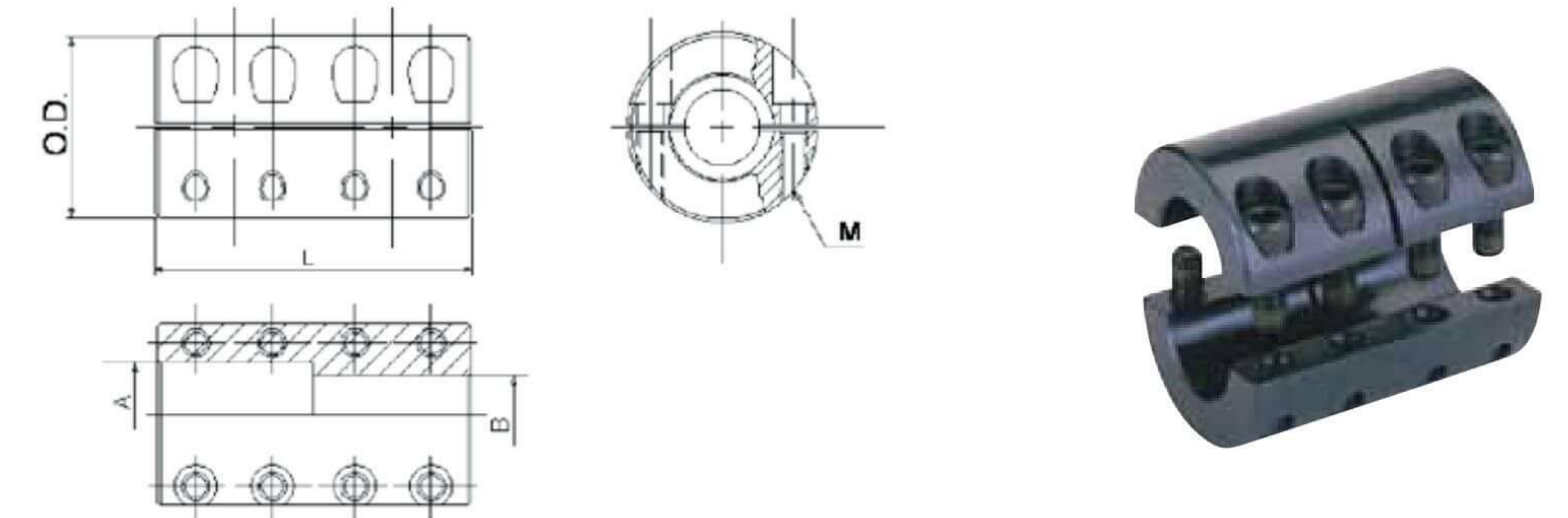


>> Metric Single Split Couplings --- 202 Series



Products Id	Bore Size	Dimensions and Tolerance															Box Qty
		OD	J	H	K	L	L1	L2	L3	L4	D	A	T	W	Screw (M)	Weight (STEEL)	
02021 010	6 x 6	18	6.68	3.6	2.6	30	3.62	10.580	19.420	26.380	7.000	6	n/a	n/a	M3x8	47	50
02021 020	8 x 8	24	6.68	3.6	2.6	35	4.453	12.247	22.753	30.547	9.000	8	n/a	n/a	M3x10	102	50
02021 030	9 x 9	24	6.68	3.6	2.6	35	4.453	12.247	22.753	30.547	9.250	8.25	n/a	n/a	M3x10	99	50
02021 040	10 x 10	29	8.22	4.7	3.5	45	5.863	15.837	29.163	39.137	10.750	9.75	n/a	n/a	M4x12	185	50
02021 050	12 x 12	29	8.22	4.7	3.5	45	5.863	15.837	29.163	39.137	11.250	10.25	13.80	4	M4x12	180	50
02021 060	14 x 14	34	9.72	5.7	4.9	50	6.447	17.753	32.247	43.553	13.000	12	16.30	5	M5x16	272	50
02021 070	15 x 15	34	9.72	5.7	4.9	50	6.447	17.753	32.247	43.553	13.250	12.25	17.30	5	M5x16	266	50
02021 080	16 x 16	34	9.72	5.7	4.9	50	6.447	17.753	32.247	43.553	13.500	12.5	18.30	5	M5x16	261	50
02021 090	20 x 20	42	11.22	6.8	5.4	65	8.697	23.000	42.000	56.300	13.500	12.5	22.80	6	M6x16	518	25
02021 100	25 x 25	45	11.22	6.8	5.4	75	10.36	26.340	48.660	64.640	18.500	17.5	28.30	8	M6x16	623	25
02021 110	30 x 30	53	11.22	6.8	5.4	83	11.69	29.000	53.000	71.300	21.750	20.75	33.30	8	M6x18	920	25
02021 120	35 x 35	67	14.27	9.2	7.0	95	13.18	33.510	61.490	81.810	26.450	25.45	38.30	10	M8x25	1880	25
02021 130	40 x 40	77	14.27	9.2	7.0	108	15.35	37.500	70.150	92.650	30.250	29.25	43.30	12	M8x25	2710	25
02021 140	50 x 50	85	17.27	11.8	8.0	124	17.52	43.680	80.320	106.480	34.750	33.75	53.80	14	M10x25	3520	25

>> Inch Double Split Couplings --- 207 Series



Products Id				Dimension and Tolerance					Weight (STEEL)	Box Qty
Steel Black Oxide		Stainless Steel 304		Bore Size		OD 0/-0.01	Screw (M)	L ±0.005		
No Keyway	With Keyway	No Keyway	With Keyway	A	B					
02071 010	02071 011	02074 010	02074 011	0.250	0.250	0.690	#4-40x3/8	1.125	47	50
02071 020	02071 021	02074 020	02074 021	0.375	0.250	0.870	#4-40x3/8	1.375	91	50
02071 030	02071 031	02074 030	02074 031	0.375	0.375	0.870	#6-32x3/8	1.375	85	50
02071 040	02071 041	02074 040	02074 041	0.500	0.375	1.130	#8-32x1/2	1.750	191	50
02071 050	02071 051	02074 050	02074 051	0.500	0.500	1.130	#8-32x1/2	1.750	181	50
02071 060	02071 061	02074 060	02074 061	0.625	0.500	1.310	#10-32x1/2	2.000	282	50
02071 070	02071 071	02074 070	02074 071	0.625	0.625	1.310	#10-32x1/2	2.000	267	50
02071 080	02071 081	02074 080	02074 081	0.750	0.500	1.500	1/4-28x5/8	2.250	422	50
02071 090	02071 091	02074 090	02074 091	0.750	0.625	1.500	1/4-28x5/8	2.250	404	50
02071 100	02071 101	02074 100	02074 101	0.750	0.750	1.500	1/4-28x5/8	2.250	383	50
02071 110	02071 111	02074 110	02074 111	0.875	0.625	1.630	1/4-28x5/8	2.500	529	25
02071 120	02071 121	02074 120	02074 121	0.875	0.875	1.630	1/4-28x5/8	2.500	477	25
02071 130	02071 131	02074 130	02074 131	1.000	0.500	1.750	1/4-28x5/8	3.000	757	25
02071 140	02071 141	02074 140	02074 141	1.000	0.750	1.750	1/4-28x5/8	3.000	696	25
02071 150	02071 151	02074 150	02074 151	1.000	1.000	1.750	1/4-28x5/8	3.000	625	25
02071 160	02071 161	02074 160	02074 161	1.125	1.000	1.875	1/4-28x5/8	3.125	753	25
02071 170	02071 171	02074 170	02074 171	1.125	1.125	1.875	1/4-28x5/8	3.125	710	25
02071 180	02071 181	02074 180	02074 181	1.250	1.000	2.060	1/4-28x5/8	3.250	977	10
02071 190	02071 191	02074 190	02074 191	1.250	1.250	2.060	1/4-28x5/8	3.250	880	10
02071 200	02071 201	02074 200	02074 201	1.375	1.000	2.250	1/4-28x5/8	3.500	1291	10
02071 210	02071 211	02074 210	02074 211	1.375	1.375	2.250	1/4-28x5/8	3.500	1121	10
02071 220	02071 221	02074 220	02074 221	1.500	1.000	2.500	1/4-28x5/8	3.750	1775	10
02071 230	02071 231	02074 230	02074 231	1.500	1.500	2.500	1/4-28x5/8	3.750	1515	10
02071 240	02071 241	02074 240	02074 241	1.750	1.750	3.000	5/16-24x7/8	4.500	2699	10
02071 250	02071 251	02074 250	02074 251	2.000	2.000	3.250	5/16-24x7/8	4.875	3232	10